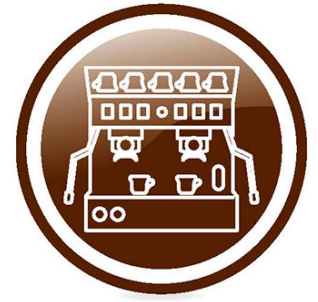




# Spare parts for the professional sector: Espresso coffee machines



Suitable for:

# FUTURMAT-ARIETE



This catalogue is automatically generated.  
Therefore, the sequence of the items might  
not be always shown at best.  
Updates will be issued in case of additions  
and/or amendments.  
*Suitable universal spare parts may not be included*



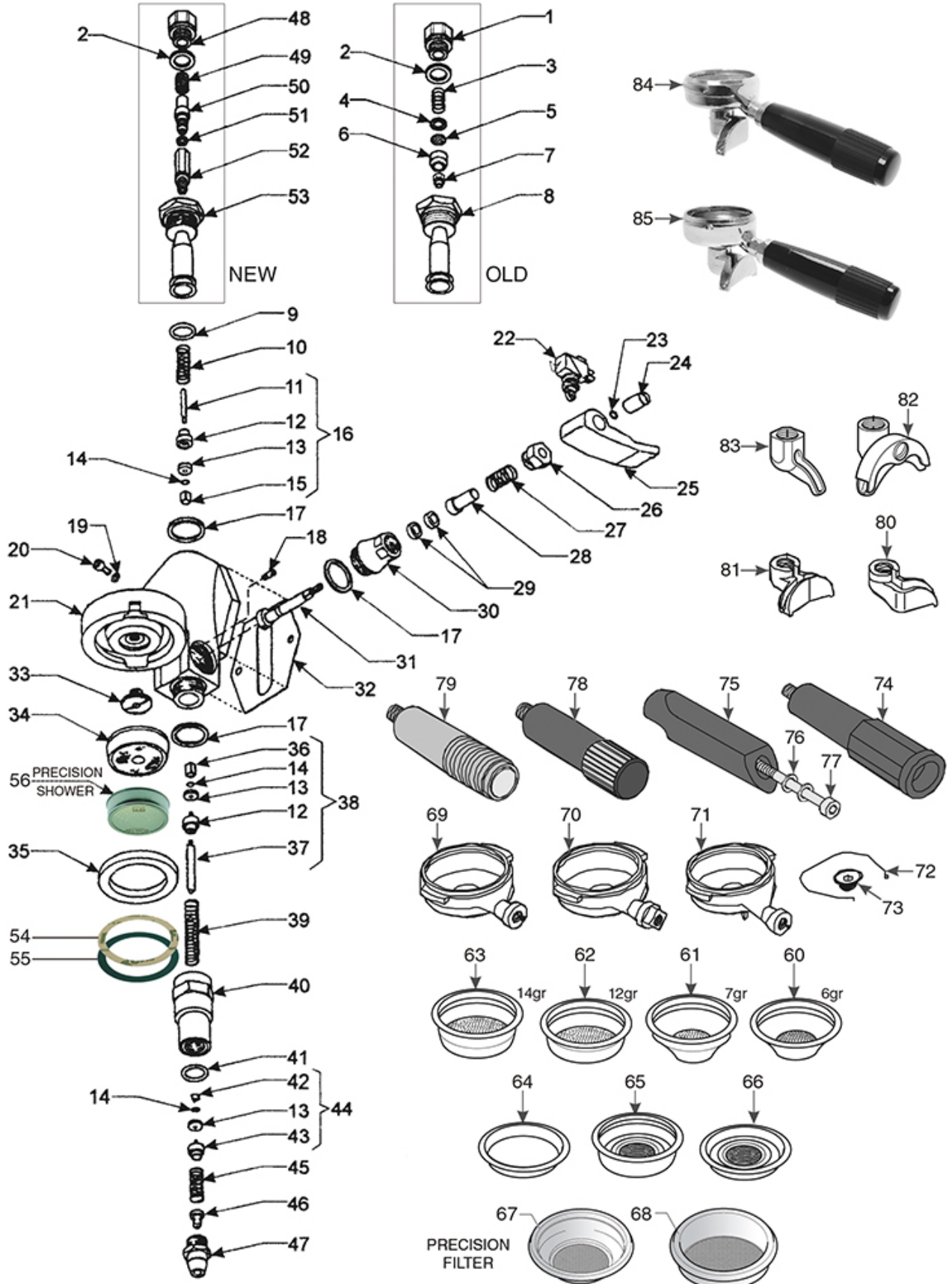


# FUTURMAT-ARIETE



## BREW GROUP ARIETE-CUSTOM-E61

### FUTURMAT ARIETE-CUSTOM-E61



FS0101

Positions without LF code no.: upon request



# FUTURMAT-ARIETE



Pos.	LF code no.	Description	Pos.	LF code no.	Description
1	1439001	CAP ø 16 mm FOR BREW GROUP	68	1460102	PRECISION FILTER 2 CUPS 12/18 g H24.5
2	1186326	PTFE FLAT GASKET ø 22x16x2 mm	68	1460103	PRECISION FILTER 2 CUPS 14/20 g H26.5
3	1250511	JET SPRING ø 8x20 mm	68	1460104	PRECISION FILTER 2 CUPS 18/22 g H28,5
4	1186306	BRASS WASHER ø 10x5x1 mm FLAT	69	1165022	FILTER HOLDER COFFEE MACHINES
5	1160516	WATER FILTER ø 11 mm	70	1165036	FILTER HOLDER COFFEE MACHINES
6	1160515	FILTER HOLDER BUSHING	71	5055624	FILTER HOLDER FUTURMAT COFFEE MACHINES
7	1501566	NOZZLE M6x1 HOLE ø 0,5 mm	72	1250101	FILTER BLOCKING SPRING ø 1,00 mm INOX
9	1186472	O-RING 04075 EPDM	74	1241483	FILTER HOLDER HANDLE M12
10	1250536	SPRING ø 13x42 mm	75	1241482	FILTER HOLDER HANDLE
11	1324013	DELIVERY VALVE PIN	77	1528531	CYLINDER HEAD SCREW M8x80
12	1186309	GASKET HOLDER BUSHING	78	1141011	HANDLE FOR FILTER HOLDER
13	1186311	NBR FLAT GASKET ø 13x4x4 mm	82	1022502	DOUBLE SPOUT ø 3/8"
14	1186330	WASHER FLAT BRASS ø 6.8x3.2x0.5 mm	82	1022521	LONG DOUBLE SPOUT ø 3/8"
15	1324001	SQUARE PIN 11.1 mm 6x6 mm M3	82	1022523	ADJUSTABLE SHORT DOUBLE SPOUT ø 3/8"
16	1192190	BREW VALVE COMPLETE	83	1022501	SINGLE SPOUT ø 3/8"
17	1186307	PTFE FLAT GASKET ø 36x30x2 mm	83	1022503	STRAIGHT SINGLE SPOUT ø 3/8"
18	1184005	CAM LOCKING STAINLESS STEEL SCREW M6	83	1022504	CLOSED SINGLE SPOUT ø 3/8"
20	1184010	LOW CYLINDER HEAD SCREW M6x10	83	5031337	1-CUP STRAIGHT SHORT SPOUT ø 3/8"
22	1803001	MICROSWITCH CROUZET EF83161.1	84	5057230	FILTER HOLDER ASSEMBLY 1 CUP FUTURMAT
24	1528013	BLIND HEXAGONAL NUT M6	85	5034110	FILTER HOLDER ASSEMBLY 2 CUPS FUTURMAT
25	1225501	INLET TAP LEVER			
26	1439533	STUFFING GLAND CHROME-PLATED FITTING			
27	1250516	SPRING ø 15x28 mm			
28	1186313	CAM GUIDE BUSHING			
29	1186312	EPDM FLAT GASKET ø 15.5x7.5x4 mm			
30	1349506	CAMS CHROMIUM-PLATED FITTING			
31	1184551	CAM FOR COFFEE GROUP			
32	1186502	COFFEE GROUP GASKET 79x71x2 mm			
33	1501561	GROUP SPRAY NOZZLE ø 30 mm M10x1			
34	1081016	SHOWER SCREEN ø 60 mm			
34	1081116	SHOWER SCREEN ø 60 mm			
34	1081216	SHOWER SCREEN ø 60 mm			
34	1081516	SHOWER ø 60 mm			
35	1186722	FILTER HOLDER GASKET ø 73x57x8 mm			
35	1186723	FILTER HOLDER GASKET ø 73x57x8.5 mm			
36	1324033	SQUARE PIN 12.1 mm 6x6 mm M3			
37	1324006	SQUARE PIN 40 mm 5x5 mm M4			
38	1523008	COMPLETE DRAIN VALVE			
39	1250537	SPRING ø 14x45 mm			
40	1027002	OUTLET CHROMIUM-PLATED SLEEVE			
41	1186326	PTFE FLAT GASKET ø 22x16x2 mm			
42	1324007	SQUARE PASS-THR. PIN 6.5 mm 6x6 mm M3			
43	1186309	GASKET HOLDER BUSHING			
44	1523501	COMPLETE DRAIN VALVE			
45	1250515	SPRING ø 14x33 mm			
46	1390501	DRAIN JET SWIRL			
47	1439006	DRAIN CHROMIUM-PLATED FITTING			
48	5030808	CAP ø 3/8" FOR BREW GROUP			
49	1160507	WATER FILTER ø 8.5x15 mm			
50	1501570	NOZZLE GROUP			
51	1186514	O-RING 02015 SILICON			
52	1324084	INJECTOR SUPPORT			
53	1027016	UPPER CHROMIUM-PLATED SLEEVE			
54	1190001	PAPER SHIM ø 73x59x0.8 mm			
55	1190002	RUBBER SHIM ø 73x59x1 mm EPDM			
56	1460201	PRECISION SHOWER SCREEN ø 60 mm			
56	1460206	PRECISION SHOWER SCREEN ø 60 mm			
60	1160060	1 CUP FILTER 6 gr			
61	1160062	1 CUP FILTER 7 gr			
62	1160061	2 CUPS FILTER 12 gr			
63	1160063	2 CUPS FILTER 14 gr			
64	1160339	BLIND FILTER			
65	1160504	2 CUPS POD FILTER			
66	1160503	1 CUP POD FILTER			
67	1460100	PRECISION FILTER 1 CUP 6/8 g H24.5			
67	1460101	PRECISION FILTER 1 CUP 7/9 g H26.5			

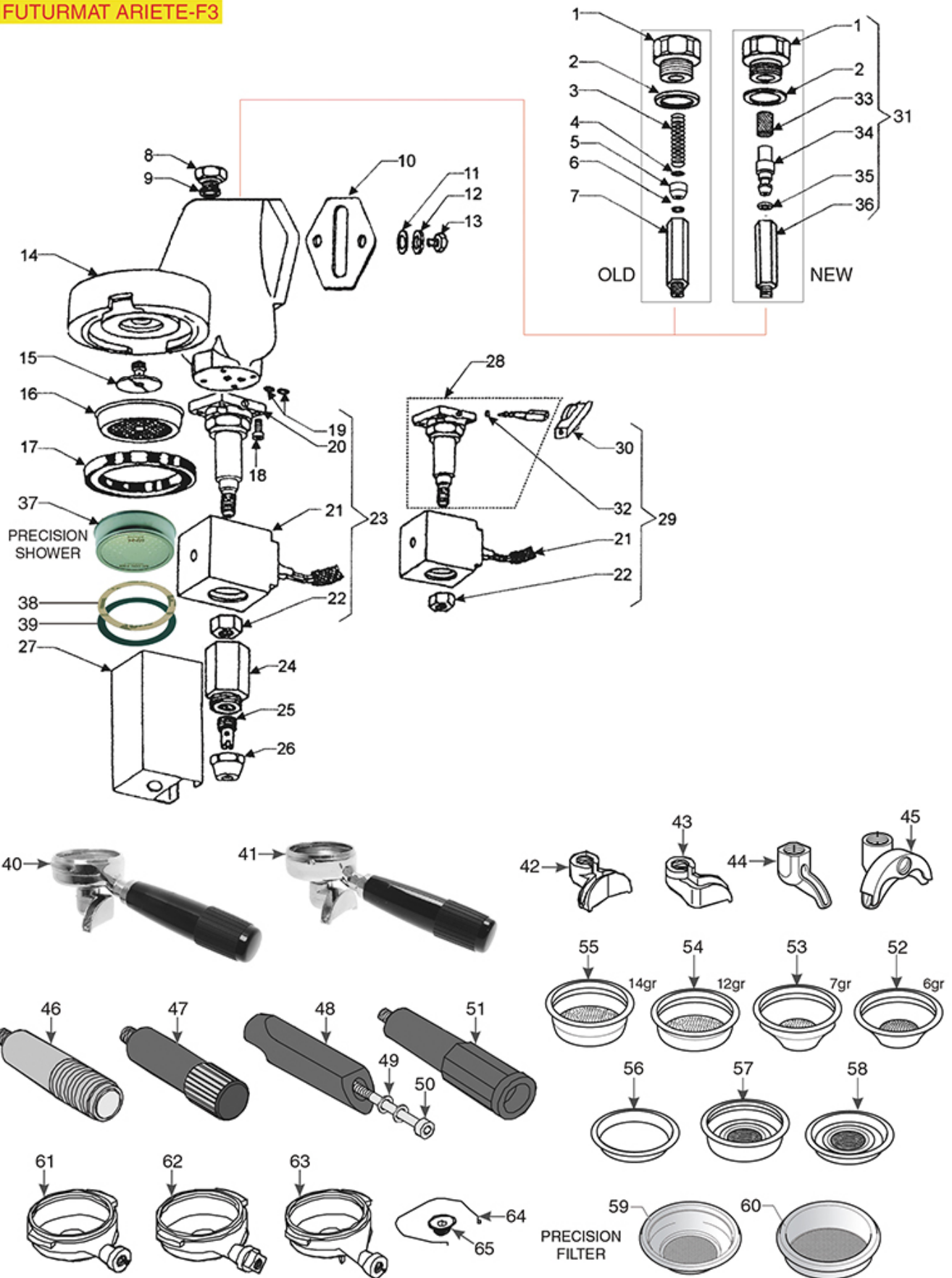


# FUTURMAT-ARIETE



## BREW GROUP ARIETE-F3

### FUTURMAT ARIETE-F3



FS0201

Positions without LF code no.: upon request



# FUTURMAT-ARIETE



Position	LF code no.	Description
1	5030808	CAP $\varnothing$ 3/8" FOR BREW GROUP
2	1186620	COPPER FLAT GASKET $\varnothing$ 22x17x1.5 mm
3	1250402	JET SPRING $\varnothing$ 7x28 mm
4	1160311	WATER FILTER $\varnothing$ 7 mm
5	1501531	NOZZLE $\varnothing$ 8 HOLE $\varnothing$ 0.7 mm
6	1186252	O-RING 0040-20 EPDM
9	1186262	COPPER FLAT GASKET $\varnothing$ 16x12x1.5 mm
10	1186502	COFFEE GROUP GASKET 79x71x2 mm
15	1501561	GROUP SPRAY NOZZLE $\varnothing$ 30 mm M10x1
16	1081016	SHOWER SCREEN $\varnothing$ 60 mm
16	1081116	SHOWER SCREEN $\varnothing$ 60 mm
16	1081216	SHOWER SCREEN $\varnothing$ 60 mm
16	1081516	SHOWER $\varnothing$ 60 mm
17	1186722	FILTER HOLDER GASKET $\varnothing$ 73x57x8 mm
17	1186723	FILTER HOLDER GASKET $\varnothing$ 73x57x8.5 mm
18	1455034	CYLINDER HEAD SCREW M4x10
19	1186612	O-RING 02025 VITON
20	1120339	3-WAY MECHANICAL COMPONENT PARKER
21	1120361	COIL PARKER YB09 220/230V 9W 50/60Hz
21	5037619	COIL PARKER YB09 115V 9W 50/60Hz
23	1120476	3-WAY SOLENOID VALVE PARKER 230V 50/60Hz
24	1349404	COUPLING DISCHARGE
25	1349405	DRAIN JET SWIRL
27	1201572	MANUAL SOLENOID COVER
33	1160507	WATER FILTER $\varnothing$ 8.5x15 mm
34	1501570	NOZZLE GROUP
35	1186514	O-RING 02015 SILICON
37	1460201	PRECISION SHOWER SCREEN $\varnothing$ 60 mm
37	1460206	PRECISION SHOWER SCREEN $\varnothing$ 60 mm
38	1190001	PAPER SHIM $\varnothing$ 73x59x0.8 mm
39	1190002	RUBBER SHIM $\varnothing$ 73x59x1 mm EPDM
40	5057230	FILTER HOLDER ASSEMBLY 1 CUP FUTURMAT
41	5034110	FILTER HOLDER ASSEMBLY 2 CUPS FUTURMAT
44	1022501	SINGLE SPOUT $\varnothing$ 3/8"
44	1022503	STRAIGHT SINGLE SPOUT $\varnothing$ 3/8"
44	1022504	CLOSED SINGLE SPOUT $\varnothing$ 3/8"
44	5031337	1-CUP STRAIGHT SHORT SPOUT $\varnothing$ 3/8"
45	1022502	DOUBLE SPOUT $\varnothing$ 3/8"
45	1022521	LONG DOUBLE SPOUT $\varnothing$ 3/8"
45	1022523	ADJUSTABLE SHORT DOUBLE SPOUT $\varnothing$ 3/8"
47	1141011	HANDLE FOR FILTER HOLDER
48	1241482	FILTER HOLDER HANDLE
50	1528531	CYLINDER HEAD SCREW M8x80
51	1241483	FILTER HOLDER HANDLE M12
52	1160060	1 CUP FILTER 6 gr
53	1160062	1 CUP FILTER 7 gr
54	1160061	2 CUPS FILTER 12 gr
55	1160063	2 CUPS FILTER 14 gr
56	1160339	BLIND FILTER
57	1160504	2 CUPS POD FILTER
58	1160503	1 CUP POD FILTER
59	1460100	PRECISION FILTER 1 CUP 6/8 g H24.5
59	1460101	PRECISION FILTER 1 CUP 7/9 g H26.5
60	1460102	PRECISION FILTER 2 CUPS 12/18 g H24.5
60	1460103	PRECISION FILTER 2 CUPS 14/20 g H26.5
60	1460104	PRECISION FILTER 2 CUPS 18/22 g H28,5
61	1165022	FILTER HOLDER COFFEE MACHINES
62	1165036	FILTER HOLDER COFFEE MACHINES
63	5055624	FILTER HOLDER FUTURMAT COFFEE MACHINES
64	1250101	FILTER BLOCKING SPRING $\varnothing$ 1,00 mm INOX

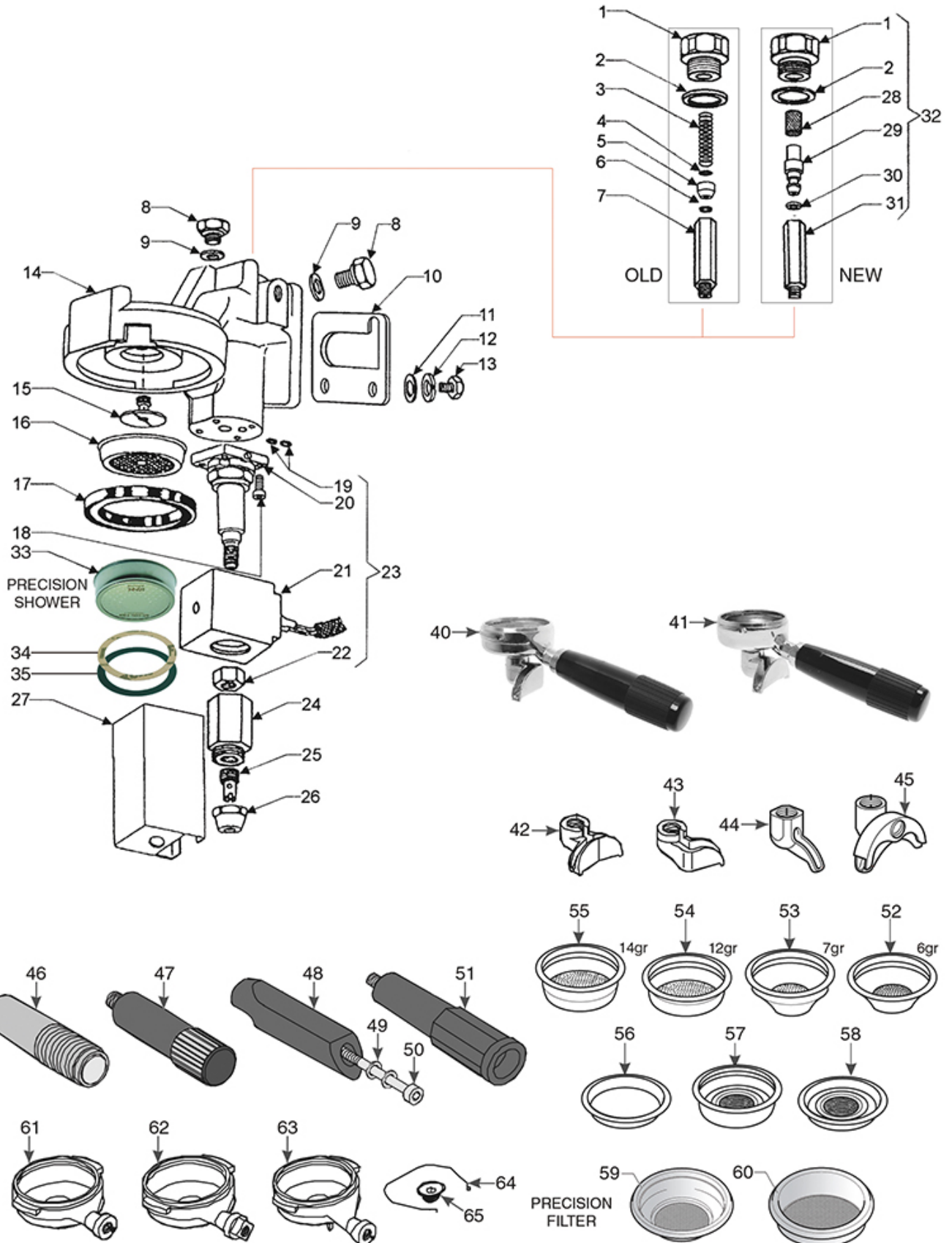


# FUTURMAT-ARIETE



## BREW GROUP RIMINI

### FUTURMAT RIMINI



FS0301

Positions without LF code no.: upon request



# FUTURMAT-ARIETE

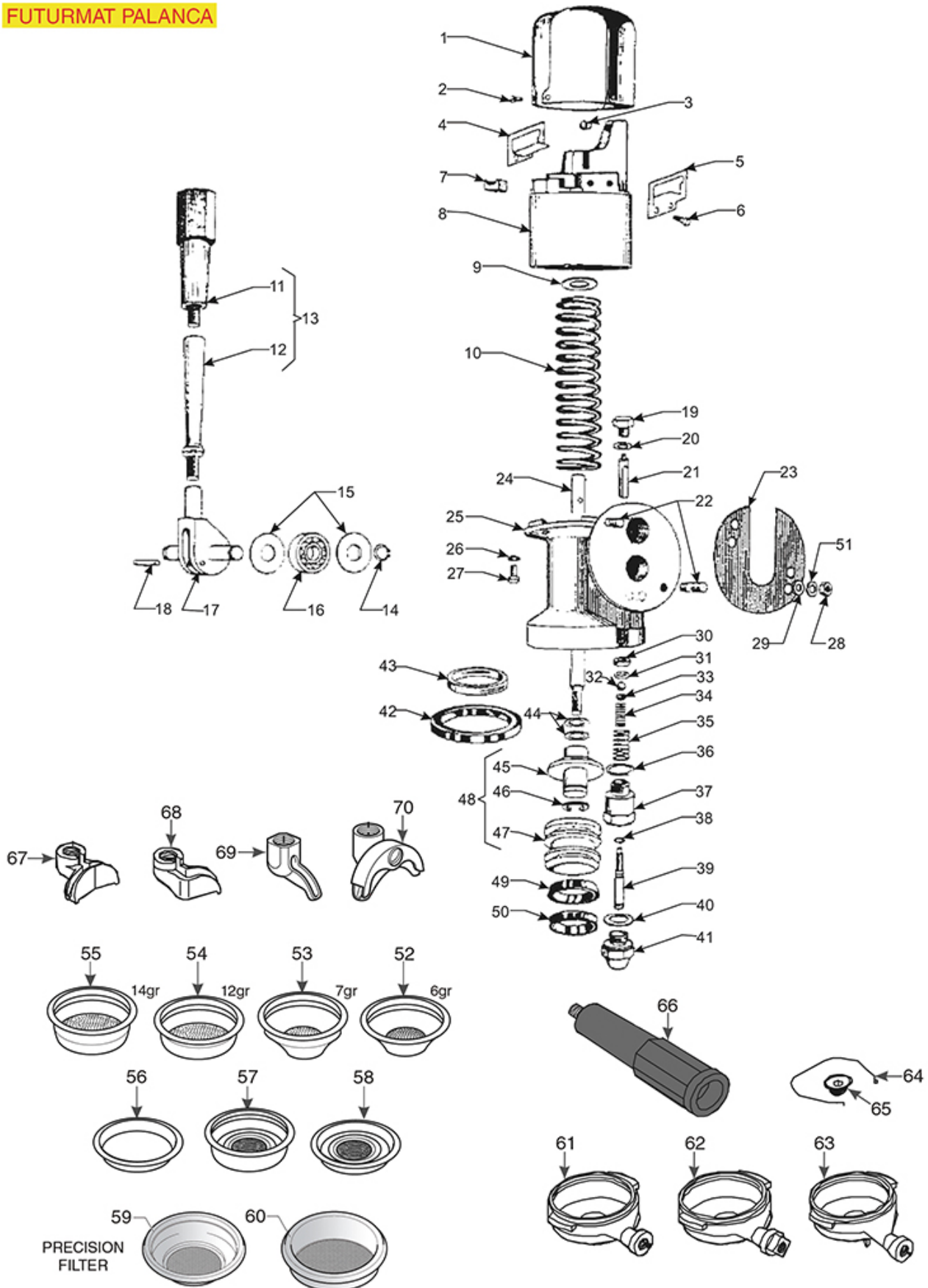


Position	LF code no.	Description
1	5030808	CAP ø 3/8" FOR BREW GROUP
2	1186620	COPPER FLAT GASKET ø 22x17x1.5 mm
3	1250402	JET SPRING ø 7x28 mm
4	1160311	WATER FILTER ø 7 mm
5	1501531	NOZZLE ø 8 HOLE ø 0.7 mm
6	1186252	O-RING 0040-20 EPDM
9	1186262	COPPER FLAT GASKET ø 16x12x1.5 mm
10	1186172	COFFEE GROUP GASKET 80x72 mm
15	1501561	GROUP SPRAY NOZZLE ø 30 mm M10x1
16	1081016	SHOWER SCREEN ø 60 mm
16	1081116	SHOWER SCREEN ø 60 mm
16	1081216	SHOWER SCREEN ø 60 mm
16	1081516	SHOWER ø 60 mm
17	1186722	FILTER HOLDER GASKET ø 73x57x8 mm
17	1186723	FILTER HOLDER GASKET ø 73x57x8.5 mm
18	1455034	CYLINDER HEAD SCREW M4x10
19	1186612	O-RING 02025 VITON
20	1120339	3-WAY MECHANICAL COMPONENT PARKER
21	1120361	COIL PARKER YB09 220/230V 9W 50/60Hz
21	5037619	COIL PARKER YB09 115V 9W 50/60Hz
23	1120476	3-WAY SOLENOID VALVE PARKER 230V 50/60Hz
24	1349404	COUPLING DISCHARGE
25	1349405	DRAIN JET SWIRL
27	1201572	MANUAL SOLENOID COVER
28	1160507	WATER FILTER ø 8.5x15 mm
29	1501570	NOZZLE GROUP
30	1186514	O-RING 02015 SILICON
31	1324085	INJECTOR SUPPORT
33	1460201	PRECISION SHOWER SCREEN ø 60 mm
33	1460206	PRECISION SHOWER SCREEN ø 60 mm
34	1190001	PAPER SHIM ø 73x59x0.8 mm
35	1190002	RUBBER SHIM ø 73x59x1 mm EPDM
40	5057230	FILTER HOLDER ASSEMBLY 1 CUP FUTURMAT
41	5034110	FILTER HOLDER ASSEMBLY 2 CUPS FUTURMAT
44	1022501	SINGLE SPOUT ø 3/8"
44	1022503	STRAIGHT SINGLE SPOUT ø 3/8"
44	1022504	CLOSED SINGLE SPOUT ø 3/8"
44	5031337	1-CUP STRAIGHT SHORT SPOUT ø 3/8"
45	1022502	DOUBLE SPOUT ø 3/8"
45	1022521	LONG DOUBLE SPOUT ø 3/8"
45	1022523	ADJUSTABLE SHORT DOUBLE SPOUT ø 3/8"
47	1141011	HANDLE FOR FILTER HOLDER
48	1241482	FILTER HOLDER HANDLE
50	1528531	CYLINDER HEAD SCREW M8x80
51	1241483	FILTER HOLDER HANDLE M12
52	1160060	1 CUP FILTER 6 gr
53	1160062	1 CUP FILTER 7 gr
54	1160061	2 CUPS FILTER 12 gr
55	1160063	2 CUPS FILTER 14 gr
56	1160339	BLIND FILTER
57	1160504	2 CUPS POD FILTER
58	1160503	1 CUP POD FILTER
59	1460100	PRECISION FILTER 1 CUP 6/8 g H24.5
59	1460101	PRECISION FILTER 1 CUP 7/9 g H26.5
60	1460102	PRECISION FILTER 2 CUPS 12/18 g H24.5
60	1460103	PRECISION FILTER 2 CUPS 14/20 g H26.5
60	1460104	PRECISION FILTER 2 CUPS 18/22 g H28.5
61	1165022	FILTER HOLDER COFFEE MACHINES
62	1165036	FILTER HOLDER COFFEE MACHINES
63	5055624	FILTER HOLDER FUTURMAT COFFEE MACHINES
64	1250101	FILTER BLOCKING SPRING ø 1,00 mm INOX



## BREW GROUP PALANCA

### FUTURMAT PALANCA







# FUTURMAT-ARIETE

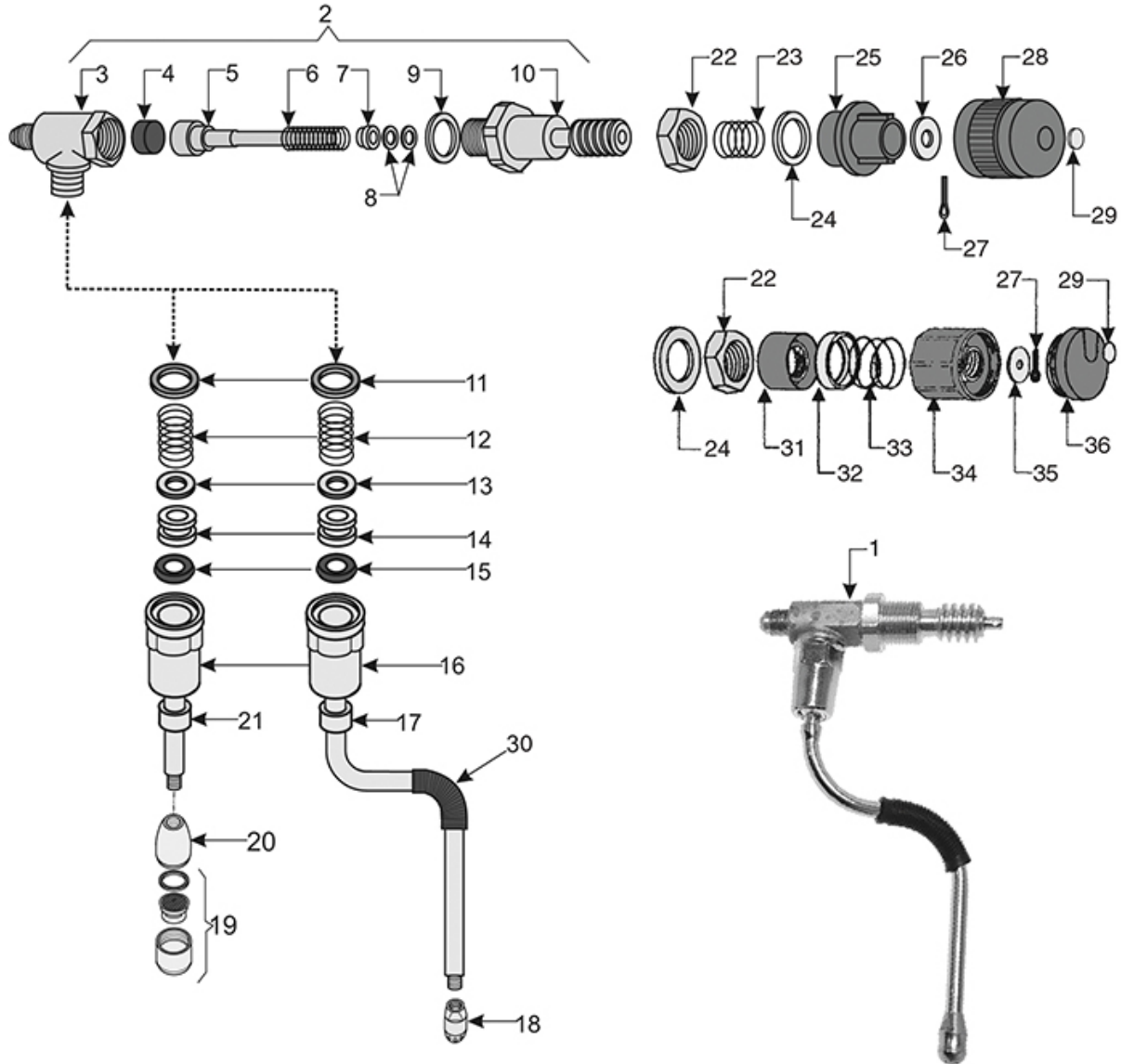


Position	LF code no.	Description
3	1186254	RUBBER SHOCK ABSORBER
7	1186258	RUBBER SHOCK ABSORBER
10	1250407	SPRING FOR LEVER GROUP
11	1241483	FILTER HOLDER HANDLE M12
16	1063906	BEARING 6203 ZZ NSK
23	1186259	COFFEE GROUP GASKET $\varnothing$ 86x1 mm
30	1186369	EPDM FLAT GASKET $\varnothing$ 15x5.5x4 mm
32	1323003	STAINLESS STEEL BALL $\varnothing$ 8 mm
34	1250112	SPRING $\varnothing$ 8x20 mm FOR BREW GROUP
35	1250160	PIN SPRING $\varnothing$ 14x23 mm
36	1186394	ASBESTOS FREE FLAT GASKET $\varnothing$ 22x17x2 mm
38	1186903	O-RING 02021 - RED SILICON
40	1186394	ASBESTOS FREE FLAT GASKET $\varnothing$ 22x17x2 mm
42	1186722	FILTER HOLDER GASKET $\varnothing$ 73x57x8 mm
42	1186723	FILTER HOLDER GASKET $\varnothing$ 73x57x8.5 mm
43	1081250	SHOWER SCREEN $\varnothing$ 57 mm
49	1186277	LIP SEAL $\varnothing$ 52x37x7.5 mm
50	1186816	LIP SEAL $\varnothing$ 50x38x7.5 mm
52	1160060	1 CUP FILTER 6 gr
53	1160062	1 CUP FILTER 7 gr
54	1160061	2 CUPS FILTER 12 gr
55	1160063	2 CUPS FILTER 14 gr
56	1160339	BLIND FILTER
57	1160504	2 CUPS POD FILTER
58	1160503	1 CUP POD FILTER
59	1460100	PRECISION FILTER 1 CUP 6/8 g H24.5
59	1460101	PRECISION FILTER 1 CUP 7/9 g H26.5
60	1460102	PRECISION FILTER 2 CUPS 12/18 g H24.5
60	1460103	PRECISION FILTER 2 CUPS 14/20 g H26.5
60	1460104	PRECISION FILTER 2 CUPS 18/22 g H28,5
61	1165022	FILTER HOLDER COFFEE MACHINES
62	1165036	FILTER HOLDER COFFEE MACHINES
63	5055624	FILTER HOLDER FUTURMAT COFFEE MACHINES
64	1250101	FILTER BLOCKING SPRING $\varnothing$ 1,00 mm INOX
66	1241483	FILTER HOLDER HANDLE M12
69	1022501	SINGLE SPOUT $\varnothing$ 3/8"
69	1022503	STRAIGHT SINGLE SPOUT $\varnothing$ 3/8"
69	1022504	CLOSED SINGLE SPOUT $\varnothing$ 3/8"
69	5031337	1-CUP STRAIGHT SHORT SPOUT $\varnothing$ 3/8"
70	1022502	DOUBLE SPOUT $\varnothing$ 3/8"
70	1022521	LONG DOUBLE SPOUT $\varnothing$ 3/8"
70	1022523	ADJUSTABLE SHORT DOUBLE SPOUT $\varnothing$ 3/8"



## WATER/STEAM TAP ARIETE-RIMINI

### FUTURMAT ARIETE-RIMINI



0+100°C	---	100
0+100°C	---	101
---	---	102
0,60L 6 cups	---	103
0,70L 9 cups	---	104
1,10L 12 cups	---	105
---	---	106

INOX 18/10

0,20L 2 cups	200
0,30L 3 cups	201
0,45L 4 cups	202
0,60L 6 cups	203
0,70L 9 cups	204
1,10L 12 cups	205
---	206

INOX 18/10

0,10L 1 cup	300
---	301
0,35L 3 cups	302
0,60L 6 cups	303
1,00L 10 cups	304
1,50L 12 cups	305
---	306

INOX AISI 202

0,25L 2 cups	400
0,35L 3 cups	401
0,50L 4 cups	402
0,75L 6 cups	403
1,00L 10 cups	404
1,50L 13 cups	405
---	406

INOX 18/10



# FUTURMAT-ARIETE



Position	LF code no.	Description
1	1348472	STEAM TAP ASSEMBLY
2	1348477	WATER/STEAM TAP
4	1186442	BLIND GASKET $\varnothing$ 12x5.8 mm SILICONE
5	1324066	WATER/STEAM TAP PIN
6	1250415	TAP SPRING $\varnothing$ 10x32 mm
7	1186244	SPRING BUSHING
8	1186612	O-RING 02025 VITON
9	1186326	PTFE FLAT GASKET $\varnothing$ 22x16x2 mm
10	1349406	TAP PIN
11	1186314	PTFE FLAT GASKET $\varnothing$ 22x17x2 mm
12	1250549	SPRING $\varnothing$ 11x25 mm
13	1186283	WASHER FLAT BRASS $\varnothing$ 14.5x7x2 mm
14	1786309	SEALING CONE PTFE $\varnothing$ 14.5x7x8 mm
15	3186340	OR GASKET 03037 EPDM
16	1348476	NUT FOR WATER/STEAM PIPE
17	1449853	STEAM PIPE COMPLETE
18	1449336	STEAM NOZZLE
19	1449855	WATER PIPE NOZZLE M10 $\varnothing$ 18 mm
20	1449855	WATER PIPE NOZZLE M10 $\varnothing$ 18 mm
22	1349504	NUT $\varnothing$ 1/2" KEY 25x6 mm
23	1250510	HANDLE SPRING $\varnothing$ 29x30 mm
25	1241371	RING NUT FOR WATER/STEAM KNOB
27	3389013	STAINLESS STEEL PIN $\varnothing$ 2x12 mm
28	1241422	KNOB FOR STEAM TAP
31	1241481	RING NUT FOR WATER/STEAM KNOB
32	1186263	RING NUT FOR WATER/STEAM KNOB
33	1250179	HANDLE SPRING $\varnothing$ 34x34 mm
34	1241402	WATER/STEAM TAP HANDLE
34	1241434	WATER/STEAM TAP KNOB
50	1394553	ANALOGICAL THERMOMETER $\varnothing$ 25 mm
51	1394554	ANALOG THERMOMETER $\varnothing$ 45 mm
103	1024051	SERVING COFFEE POT PRATIKA 0.60 L
104	1024052	SERVING COFFEE POT PRATIKA 0.70 L
200	1024001	MILK PITCHER PRATIKA 0.20 L
201	1024002	MILK PITCHER PRATIKA 0.30 L
202	1024003	MILK PITCHER PRATIKA 0.45 L
203	1024004	MILK PITCHER PRATIKA 0.60 L
204	1024005	MILK PITCHER PRATIKA 0.70 L
205	1024006	MILK PITCHER PRATIKA 1.10 L
300	1224900	MILK PITCHER 0.10L
302	1224901	MILK JUG 0.35 L
303	1224902	MILK JUG 0.60 L
304	1224903	MILK JUG 1 L
305	1224904	MILK JUG 1.5 L
400	1224014	MILK PITCHER EUROPA WITH SPOUT 0.25 L
401	1224015	MILK PITCHER EUROPA WITH SPOUT 0.35 L
402	1224010	MILK PITCHER EUROPA WITH SPOUT 0.50 L
403	1224011	MILK PITCHER EUROPA WITH SPOUT 0.75 L
404	1224012	MILK PITCHER EUROPA WITH SPOUT 1 L
405	1224013	MILK PITCHER EUROPA WITH SPOUT 1.5 L

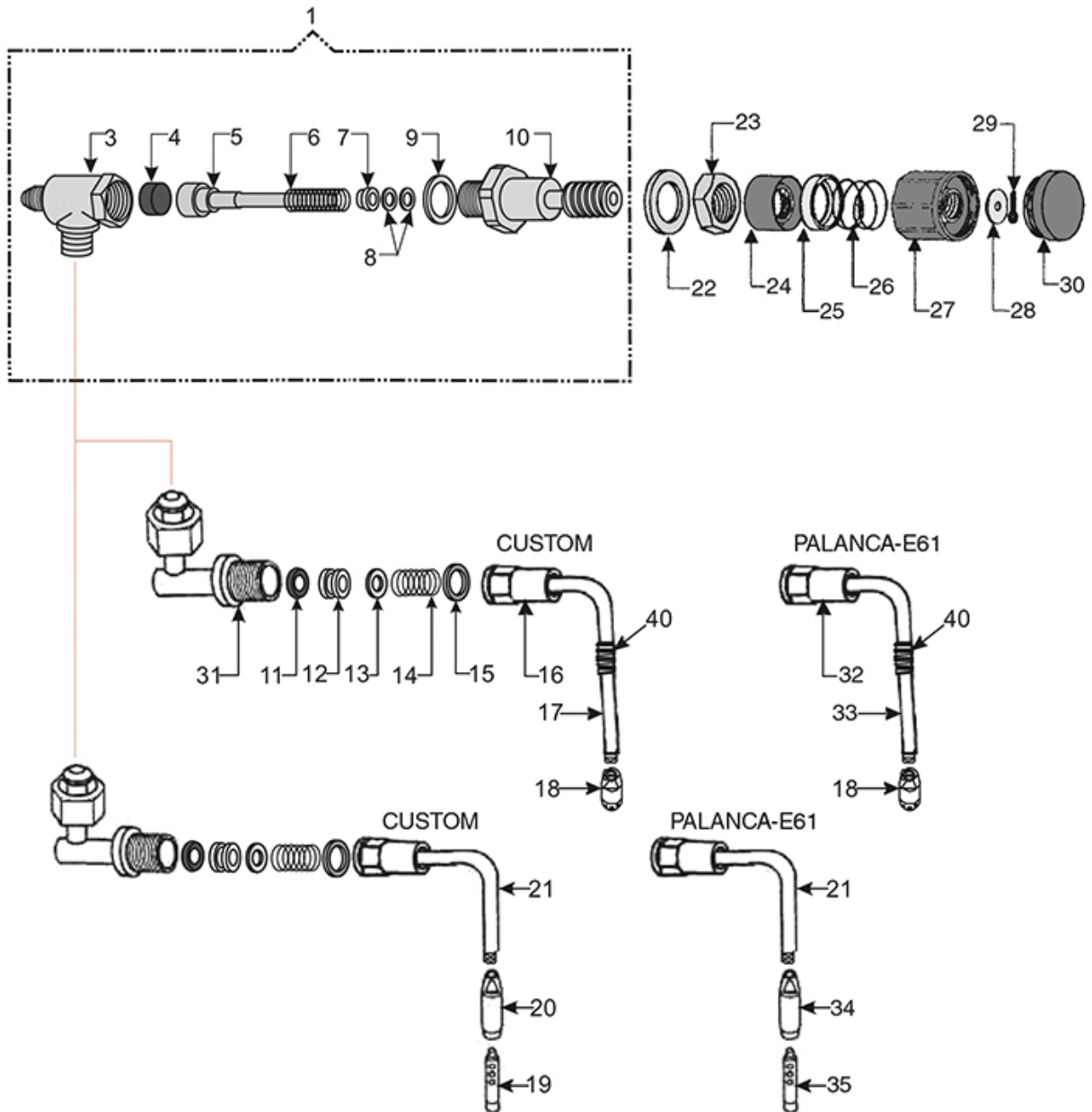


# FUTURMAT-ARIETE



## WATER/STEAM TAP PALANCA-E61

### FUTURMAT CUSTOM-PALANCA-E61



...	100
...	101
...	102
0,60L 6 cups	103
0,70L 9 cups	104
1,10L 12 cups	105
...	106

INOX 18/10

0,20L 2 cups	200
0,30L 3 cups	201
0,45L 4 cups	202
0,60L 6 cups	203
0,70L 9 cups	204
1,10L 12 cups	205
...	206

INOX 18/10

0,10L 1 cup	300
...	301
0,35L 3 cups	302
0,60L 6 cups	303
1,00L 10 cups	304
1,50L 12 cups	305
...	306

INOX AISI 202

0,25L 2 cups	400
0,35L 3 cups	401
0,50L 4 cups	402
0,75L 6 cups	403
1,00L 10 cups	404
1,50L 13 cups	405
...	406

INOX 18/10



# FUTURMAT-ARIETE



Position	LF code no.	Description
1	1348477	WATER/STEAM TAP
4	1186442	BLIND GASKET $\varnothing$ 12x5.8 mm SILICONE
5	1324066	WATER/STEAM TAP PIN
6	1250415	TAP SPRING $\varnothing$ 10x32 mm
7	1186244	SPRING BUSHING
8	1186612	O-RING 02025 VITON
9	1186326	PTFE FLAT GASKET $\varnothing$ 22x16x2 mm
10	1349406	TAP PIN
11	1186314	PTFE FLAT GASKET $\varnothing$ 22x17x2 mm
12	1250549	SPRING $\varnothing$ 11x25 mm
13	1186283	WASHER FLAT BRASS $\varnothing$ 14.5x7x2 mm
14	1786309	SEALING CONE PTFE $\varnothing$ 14.5x7x8 mm
15	3186340	OR GASKET 03037 EPDM
18	1449336	STEAM NOZZLE
23	1349504	NUT $\varnothing$ 1/2" KEY 25x6 mm
24	1241481	RING NUT FOR WATER/STEAM KNOB
25	1186263	RING NUT FOR WATER/STEAM KNOB
26	1250179	HANDLE SPRING $\varnothing$ 34x34 mm
27	1241402	WATER/STEAM TAP HANDLE
30	1241405	RING NUT FOR WATER/STEAM KNOB
31	1349409	WATER/STEAM PIPE COUPLING
32	1348476	NUT FOR WATER/STEAM PIPE
34	1449855	WATER PIPE NOZZLE M10 $\varnothing$ 18 mm
39	3389013	STAINLESS STEEL PIN $\varnothing$ 2x12 mm
50	1394553	ANALOGICAL THERMOMETER $\varnothing$ 25 mm
51	1394554	ANALOG THERMOMETER $\varnothing$ 45 mm
103	1024051	SERVING COFFEE POT PRATIKA 0.60 L
104	1024052	SERVING COFFEE POT PRATIKA 0.70 L
200	1024001	MILK PITCHER PRATIKA 0.20 L
201	1024002	MILK PITCHER PRATIKA 0.30 L
202	1024003	MILK PITCHER PRATIKA 0.45 L
203	1024004	MILK PITCHER PRATIKA 0.60 L
204	1024005	MILK PITCHER PRATIKA 0.70 L
205	1024006	MILK PITCHER PRATIKA 1.10 L
300	1224900	MILK PITCHER 0.10L
302	1224901	MILK JUG 0.35 L
303	1224902	MILK JUG 0.60 L
304	1224903	MILK JUG 1 L
304	1224904	MILK JUG 1.5 L
400	1224014	MILK PITCHER EUROPA WITH SPOUT 0.25 L
401	1224015	MILK PITCHER EUROPA WITH SPOUT 0.35 L
402	1224010	MILK PITCHER EUROPA WITH SPOUT 0.50 L
403	1224011	MILK PITCHER EUROPA WITH SPOUT 0.75 L
404	1224012	MILK PITCHER EUROPA WITH SPOUT 1 L
405	1224013	MILK PITCHER EUROPA WITH SPOUT 1.5 L

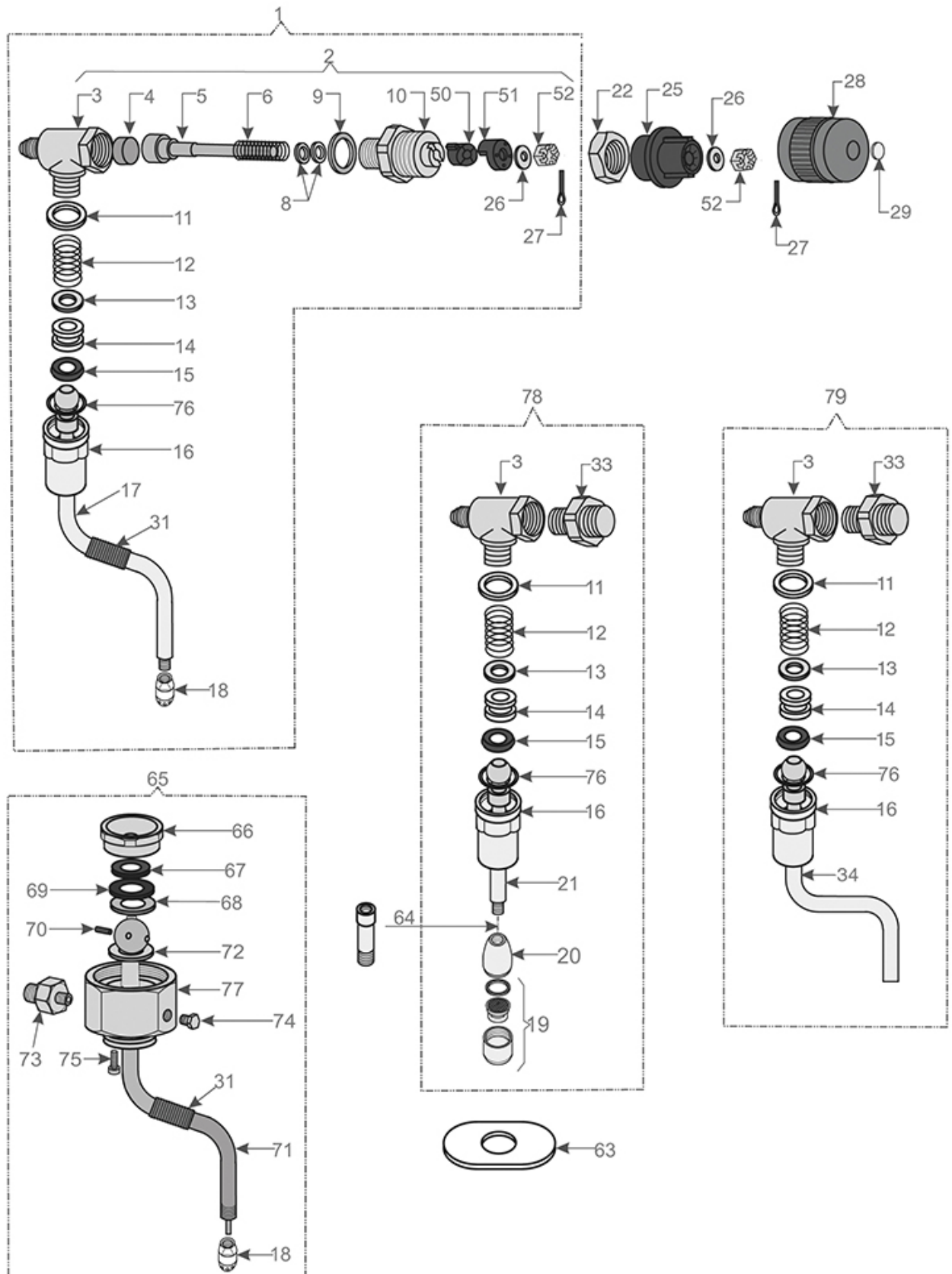


# FUTURMAT-ARIETE



## WATER/STEAM TAP F3

FUTURMAT F3



FS1201

Positions without LF code no.: upon request



# FUTURMAT-ARIETE

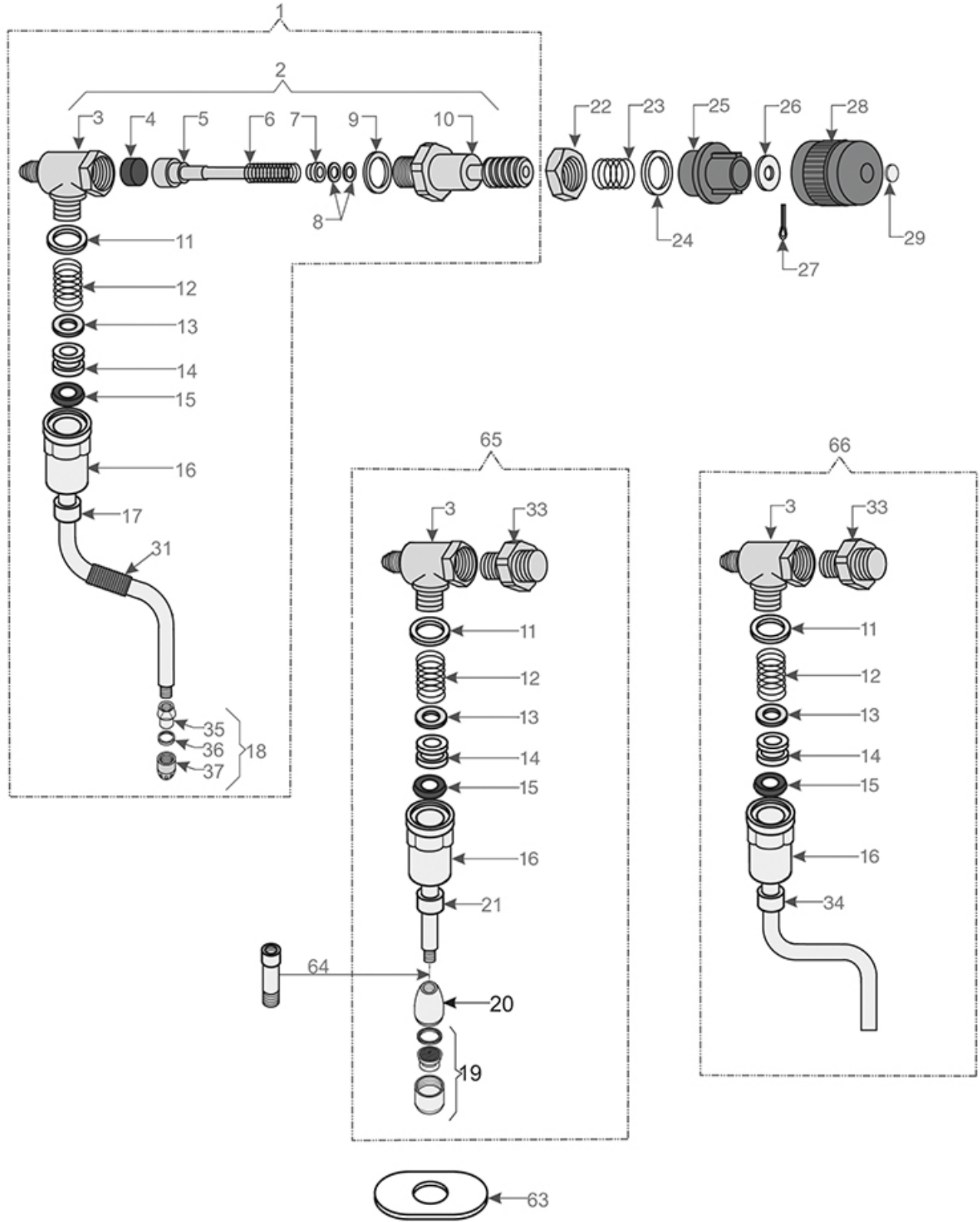


Position	LF code no.	Description
4	1186442	BLIND GASKET $\varnothing$ 12x5.8 mm SILICONE
6	1250415	TAP SPRING $\varnothing$ 10x32 mm
8	1186252	O-RING 0040-20 EPDM
9	1186326	PTFE FLAT GASKET $\varnothing$ 22x16x2 mm
11	1186314	PTFE FLAT GASKET $\varnothing$ 22x17x2 mm
12	1250549	SPRING $\varnothing$ 11x25 mm
13	1186283	WASHER FLAT BRASS $\varnothing$ 14.5x7x2 mm
14	1786309	SEALING CONE PTFE $\varnothing$ 14.5x7x8 mm
15	3186340	OR GASKET 03037 EPDM
16	1348476	NUT FOR WATER/STEAM PIPE
19	1449855	WATER PIPE NOZZLE M10 $\varnothing$ 18 mm
20	1449855	WATER PIPE NOZZLE M10 $\varnothing$ 18 mm
26	1186239	COPPER FLAT GASKET $\varnothing$ 13x6x1 mm
28	1241422	KNOB FOR STEAM TAP
29	1241423	STEAM SILK SCREEN PRINT. F. HANDLE



## WATER/STEAM TAP F3

### FUTURMAT F3







# FUTURMAT-ARIETE

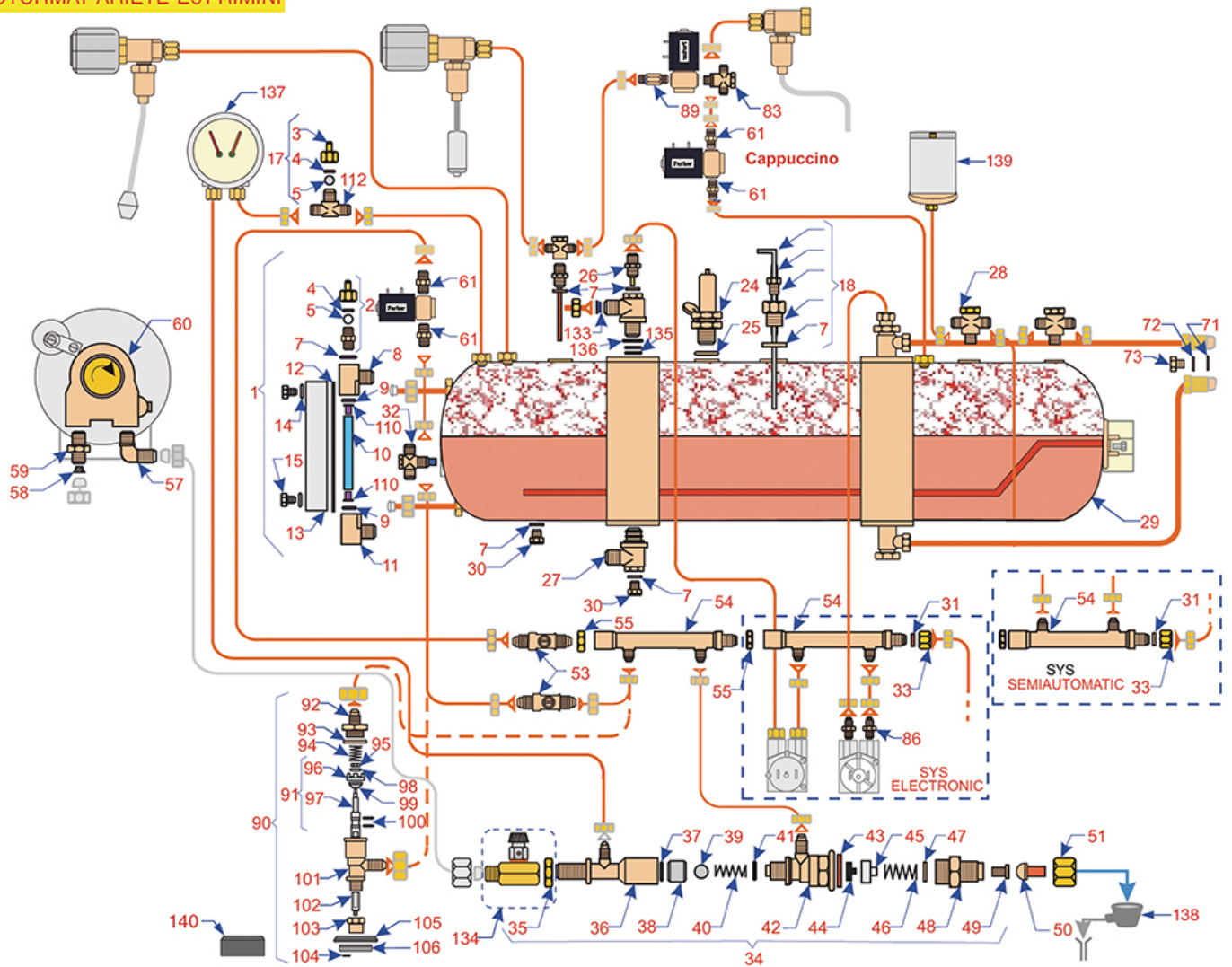


Position	LF code no.	Description
2	1348477	WATER/STEAM TAP
4	1186442	BLIND GASKET $\varnothing$ 12x5.8 mm SILICONE
5	1324066	WATER/STEAM TAP PIN
6	1250415	TAP SPRING $\varnothing$ 10x32 mm
7	1186244	SPRING BUSHING
8	1186612	O-RING 02025 VITON
9	1186326	PTFE FLAT GASKET $\varnothing$ 22x16x2 mm
10	1349406	TAP PIN
11	1186314	PTFE FLAT GASKET $\varnothing$ 22x17x2 mm
12	1250549	SPRING $\varnothing$ 11x25 mm
13	1186283	WASHER FLAT BRASS $\varnothing$ 14.5x7x2 mm
14	1786309	SEALING CONE PTFE $\varnothing$ 14.5x7x8 mm
15	3186340	OR GASKET 03037 EPDM
16	1348476	NUT FOR WATER/STEAM PIPE
19	1449855	WATER PIPE NOZZLE M10 $\varnothing$ 18 mm
20	1449855	WATER PIPE NOZZLE M10 $\varnothing$ 18 mm
22	1349504	NUT $\varnothing$ 1/2" KEY 25x6 mm
23	1250510	HANDLE SPRING $\varnothing$ 29x30 mm
25	1241371	RING NUT FOR WATER/STEAM KNOB
28	1241422	KNOB FOR STEAM TAP
29	1241423	STEAM SILK SCREEN PRINT. F. HANDLE
31	1186180	BURN PREVENTING RUBBERPIECE $\varnothing$ 10 mm
37	3389013	STAINLESS STEEL PIN $\varnothing$ 2x12 mm



## WATER INLET AND LEVEL BOILER

FUTURMAT ARIETE-E61-RIMINI



FS2001



# FUTURMAT-ARIETE

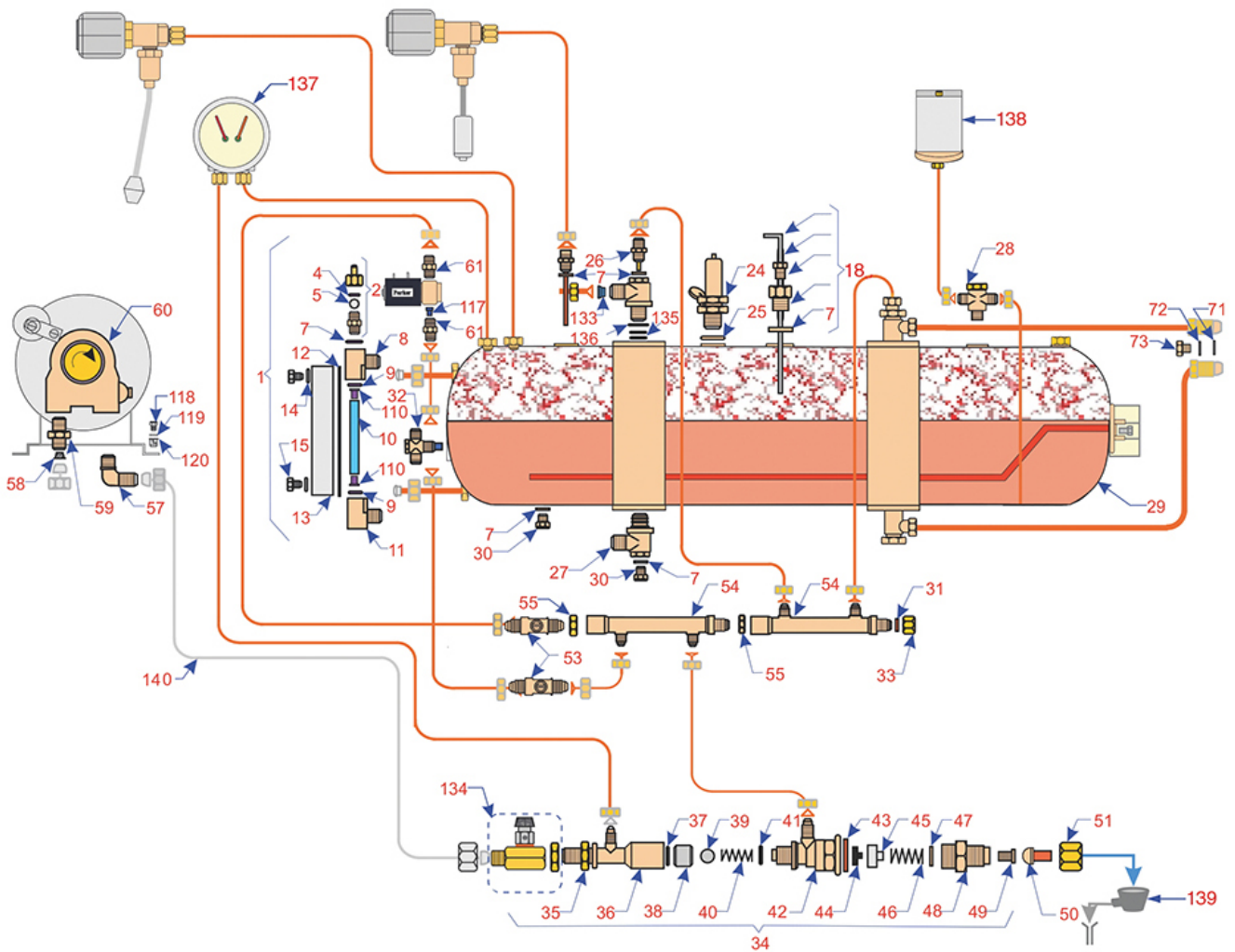


Position	LF code no.	Description
1	5024205	COMPLETE LEVEL GAUGE
4	1186611	O-RING 02025 RED SILICONE
5	1323003	STAINLESS STEEL BALL $\varnothing$ 8 mm
7	1186232	COPPER FLAT GASKET $\varnothing$ 19x13.5x1.5 mm
9	1186236	O-RING 03043 VITON
10	1520562	LEVEL GLASS $\varnothing$ 11x108 mm
18	3341011	LEVEL PROBE $\varnothing$ 1/4"M-140 mm
24	1515100	BOILER VALVE $\varnothing$ 3/8"M 1.8bar CE-PED
34	1523526	EXPANSION AND NON-RETURN VALVE
37	1186422	O-RING 0108 EPDM
39	1323415	STAINLESS STEEL BALL $\varnothing$ 11 mm
40	1250202	SPRING $\varnothing$ 8x30 mm
41	3186340	OR GASKET 03037 EPDM
44	1186129	GASKET FLAT NBR $\varnothing$ 15/6x10 mm
45	1186131	GASKET HOLDER FOR TAP
46	1250517	SPRING $\varnothing$ 15.5x29 mm
47	1186239	COPPER FLAT GASKET $\varnothing$ 13x6x1 mm
60	1330002	ROTARY VANE PUMP ROTOFLOW $\varnothing$ 3/8" NPT
61	1349408	CONICAL COUPLING
90	1348306	WATER INLET TAP
91	1523503	INLET VALVE
94	1250536	SPRING $\varnothing$ 13x42 mm
95	1186330	WASHER FLAT BRASS $\varnothing$ 6.8x3.2x0.5 mm
97	1324015	PIN FOR INLET VALVE
98	1186330	WASHER FLAT BRASS $\varnothing$ 6.8x3.2x0.5 mm
99	1186128	CONICAL EPDM SEAL $\varnothing$ 12x4x4 mm
100	1186252	O-RING 0040-20 EPDM
101	1348306	WATER INLET TAP
104	1241486	WATER INLET SILK SCREEN PRINTING F. HAND
105	1241487	RING NUT FOR INLET TAP KNOB
106	1241485	WATER INLET TAP KNOB $\varnothing$ 42 mm
135	1186424	O-RING GASKET 02062 EPDM
137	1245562	BOILER-PUMP PRESSURE GAUGE $\varnothing$ 60 mm
139	1320531	PRESSURE SWITCH P302/6 3-POLES 30A
140	1241408	WATER INLET TAP KNOB



## WATER INLET AND LEVEL BOILER

FUTURMAT CUSTOM



Positions without LF code no.: upon request



# FUTURMAT-ARIETE

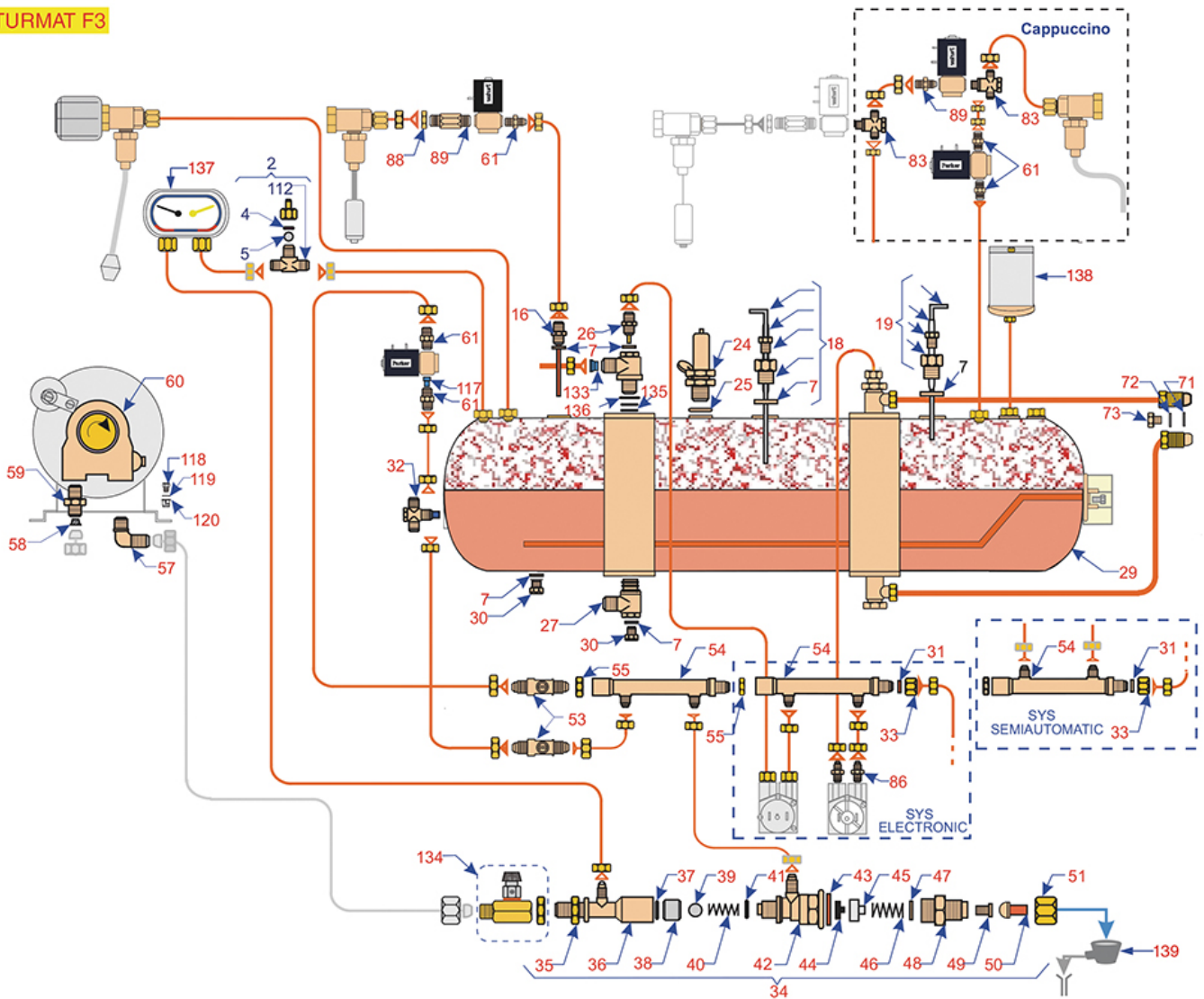


Position	LF code no.	Description
1	5024205	COMPLETE LEVEL GAUGE
4	1186611	O-RING 02025 RED SILICONE
5	1323003	STAINLESS STEEL BALL $\varnothing$ 8 mm
7	1186232	COPPER FLAT GASKET $\varnothing$ 19x13.5x1.5 mm
9	1186236	O-RING 03043 VITON
10	1520562	LEVEL GLASS $\varnothing$ 11x108 mm
18	3341011	LEVEL PROBE $\varnothing$ 1/4"M-140 mm
24	1515100	BOILER VALVE $\varnothing$ 3/8"M 1.8bar CE-PED
25	1186620	COPPER FLAT GASKET $\varnothing$ 22x17x1.5 mm
34	1523526	EXPANSION AND NON-RETURN VALVE
37	1186422	O-RING 0108 EPDM
39	1323415	STAINLESS STEEL BALL $\varnothing$ 11 mm
40	1250202	SPRING $\varnothing$ 8x30 mm
41	3186340	OR GASKET 03037 EPDM
44	1186129	GASKET FLAT NBR $\varnothing$ 15/6x10 mm
45	1186131	GASKET HOLDER FOR TAP
46	1250517	SPRING $\varnothing$ 15.5x29 mm
47	1186239	COPPER FLAT GASKET $\varnothing$ 13x6x1 mm
60	1330002	ROTARY VANE PUMP ROTOFLOW $\varnothing$ 3/8" NPT
61	1349408	CONICAL COUPLING
135	1186424	O-RING GASKET 02062 EPDM
138	1320531	PRESSURE SWITCH P302/6 3-POLES 30A
140	5024776	HOSE FLEX $\varnothing$ 3/8"Fc x 1/4"Fc 220 mm



## WATER INLET AND LEVEL BOILER

FUTURMAT F3



FS2201



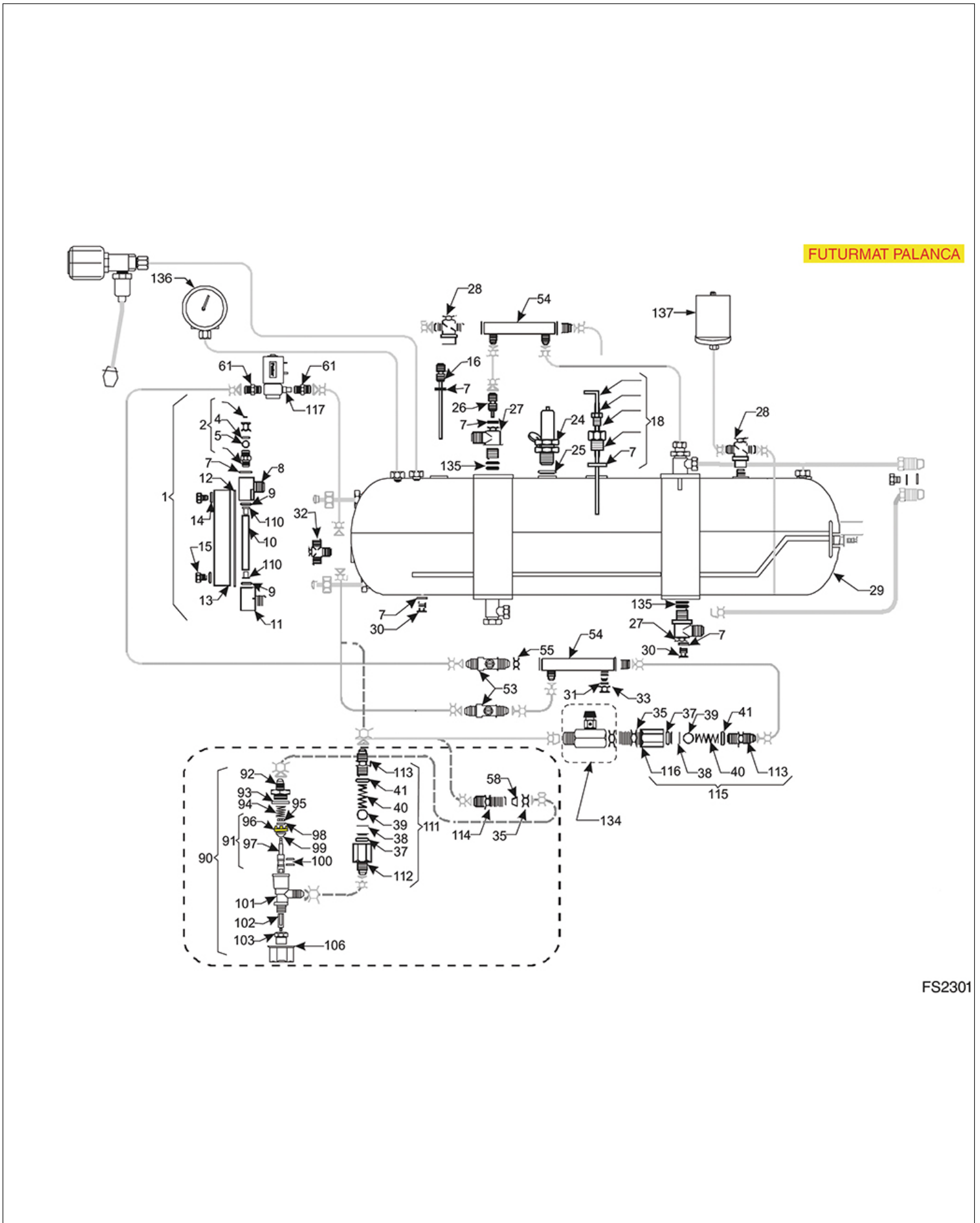
# FUTURMAT-ARIETE



Position	LF code no.	Description
4	1186611	O-RING 02025 RED SILICONE
5	1323003	STAINLESS STEEL BALL $\varnothing$ 8 mm
7	1186232	COPPER FLAT GASKET $\varnothing$ 19x13.5x1.5 mm
18	3341011	LEVEL PROBE $\varnothing$ 1/4"M-140 mm
24	1515100	BOILER VALVE $\varnothing$ 3/8"M 1.8bar CE-PED
25	1186620	COPPER FLAT GASKET $\varnothing$ 22x17x1.5 mm
34	1523526	EXPANSION AND NON-RETURN VALVE
37	1186422	O-RING 0108 EPDM
39	1323415	STAINLESS STEEL BALL $\varnothing$ 11 mm
40	1250202	SPRING $\varnothing$ 8x30 mm
41	3186340	OR GASKET 03037 EPDM
44	1186129	GASKET FLAT NBR $\varnothing$ 15/6x10 mm
45	1186131	GASKET HOLDER FOR TAP
46	1250517	SPRING $\varnothing$ 15.5x29 mm
47	1186239	COPPER FLAT GASKET $\varnothing$ 13x6x1 mm
60	1330002	ROTARY VANE PUMP ROTOFLOW $\varnothing$ 3/8" NPT
61	1349408	CONICAL COUPLING
135	1186424	O-RING GASKET 02062 EPDM
137	1245801	BOILER-PUMP PRESSURE GAUGE $\varnothing$ 63 mm
138	1320531	PRESSURE SWITCH P302/6 3-POLES 30A



## WATER INLET AND LEVEL BOILER



FS2301

Positions without LF code no.: upon request





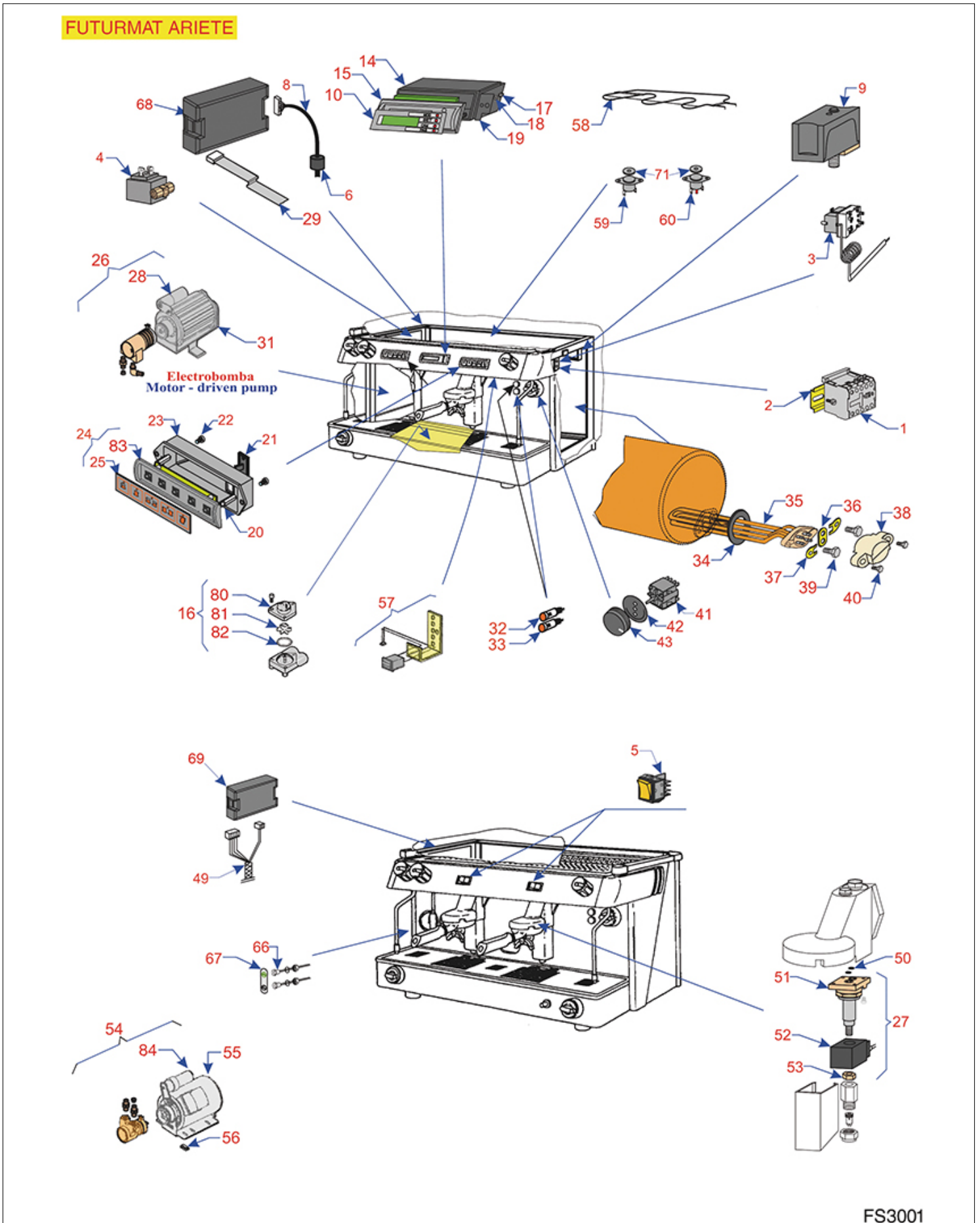
# FUTURMAT-ARIETE



Position	LF code no.	Description
1	5024205	COMPLETE LEVEL GAUGE
4	1186611	O-RING 02025 RED SILICONE
5	1323003	STAINLESS STEEL BALL $\varnothing$ 8 mm
7	1186232	COPPER FLAT GASKET $\varnothing$ 19x13.5x1.5 mm
9	1186236	O-RING 03043 VITON
10	1520562	LEVEL GLASS $\varnothing$ 11x108 mm
18	3341011	LEVEL PROBE $\varnothing$ 1/4"M-140 mm
24	1515100	BOILER VALVE $\varnothing$ 3/8"M 1.8bar CE-PED
25	1186620	COPPER FLAT GASKET $\varnothing$ 22x17x1.5 mm
37	1186422	O-RING 0108 EPDM
39	1323415	STAINLESS STEEL BALL $\varnothing$ 11 mm
40	1250202	SPRING $\varnothing$ 8x30 mm
41	3186340	OR GASKET 03037 EPDM
61	1349408	CONICAL COUPLING
90	1348306	WATER INLET TAP
91	1523503	INLET VALVE
94	1250536	SPRING $\varnothing$ 13x42 mm
95	1186330	WASHER FLAT BRASS $\varnothing$ 6.8x3.2x0.5 mm
97	1324015	PIN FOR INLET VALVE
98	1186330	WASHER FLAT BRASS $\varnothing$ 6.8x3.2x0.5 mm
99	1186128	CONICAL EPDM SEAL $\varnothing$ 12x4x4 mm
100	1186252	O-RING 0040-20 EPDM
101	1348306	WATER INLET TAP
106	1241408	WATER INLET TAP KNOB
111	1523701	NON-RETURN VALVE $\varnothing$ 3/8"M-3/8"M
135	1186424	O-RING GASKET 02062 EPDM



## ELECTRICAL PARTS ARIETE





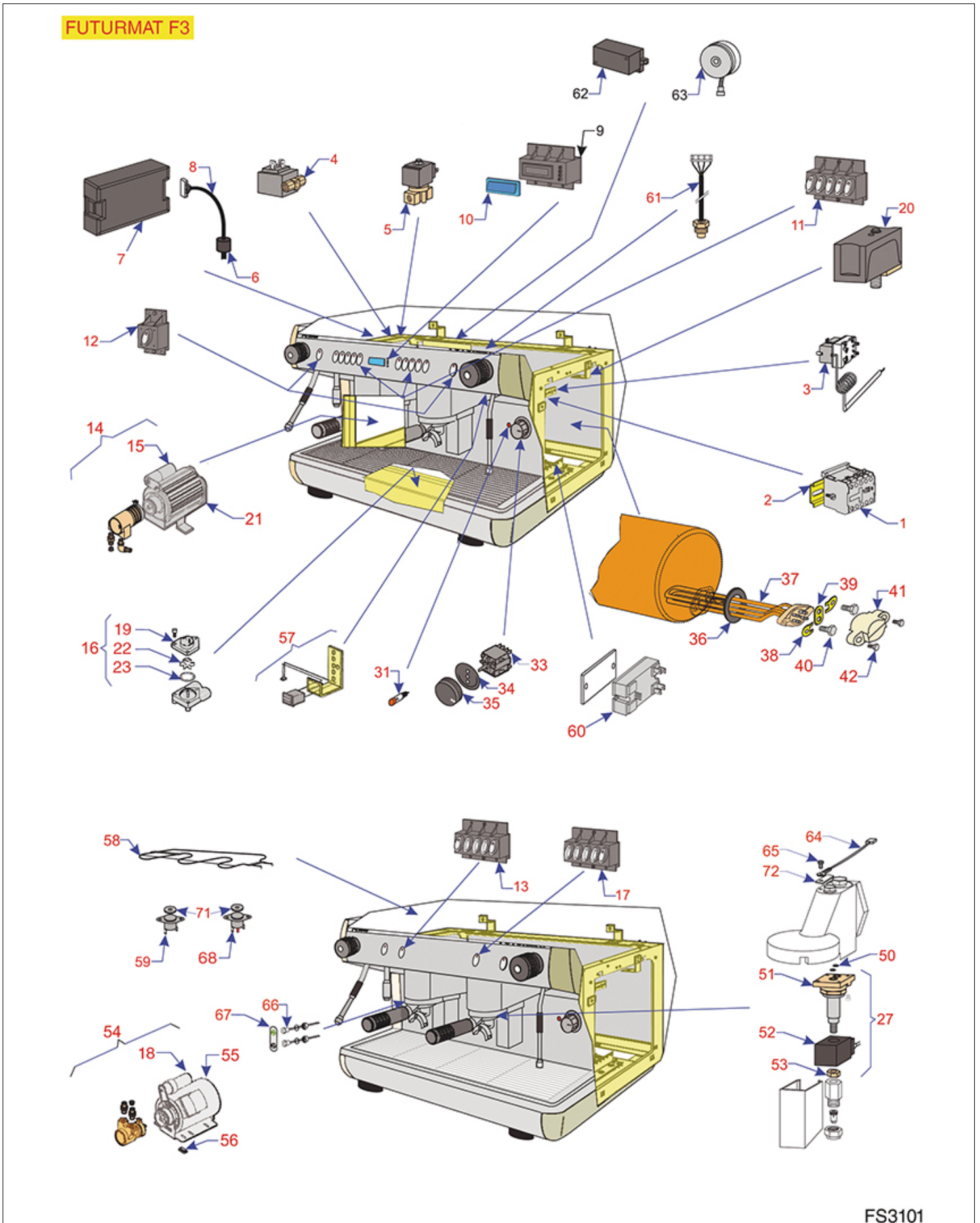
# FUTURMAT-ARIETE



Position	LF code no.	Description
3	1444509	THREE-PHASE THERMOSTAT 169°C
4	1120308	2-WAY SOLENOID VALVE SIRAI 230V 50Hz
5	3319035	ORANGE BIPOLAR SWITCH 16A 250V
9	1320531	PRESSURE SWITCH P302/6 3-POLES 30A
16	1455067	VOLUMETRIC FLOW METER GICAR
17	1186330	WASHER FLAT BRASS $\varnothing$ 6.8x3.2x0.5 mm
24	1319061	PUSH-BUTTON PANEL 5 BUTTONS
27	1120476	3-WAY SOLENOID VALVE PARKER 230V 50/60Hz
28	3068006	CAPACITOR DUCATI ENERGIA 4 $\mu$ F
32	1221302	ORANGE INDICATOR LAMP 250V
33	1221301	RED INDICATOR LAMP 250V
34	1186179	PTFE FLAT GASKET $\varnothing$ 57x43x3 mm
35	1755108	HEATING ELEMENT 3700W 220V
35	1755109	HEATING ELEMENT 5000W 220V
35	1755136	HEATING ELEMENT 3000W 230V
35	1755210	HEATING ELEMENT 3500W 230V
35	1755654	HEATING ELEMENT 2600W 110V
41	1319031	SELECTOR SWITCH 0-2 POSITIONS 16A 250V
43	1241430	KNOB $\varnothing$ 42 mm
50	1186612	O-RING 02025 VITON
51	1120339	3-WAY MECHANICAL COMPONENT PARKER
52	1120361	COIL PARKER YB09 220/230V 9W 50/60Hz
52	5037619	COIL PARKER YB09 115V 9W 50/60Hz
68	1054551	DOSER CONTROL BOX 1-2-3-4 GROUPS 230V
69	1341200	LEVEL REGULATOR 230V 50/60Hz 5A
80	3455333	COVER-HEAD FOR VOLUMETRIC FLOW METER LED
81	1455032	IMPELLER GICAR
82	1186631	O-RING 02112 VITON
84	3068014	CAPACITOR DUCATI $\mu$ F 8 450V 50/60Hz



## ELECTRICAL PARTS F3





# FUTURMAT-ARIETE

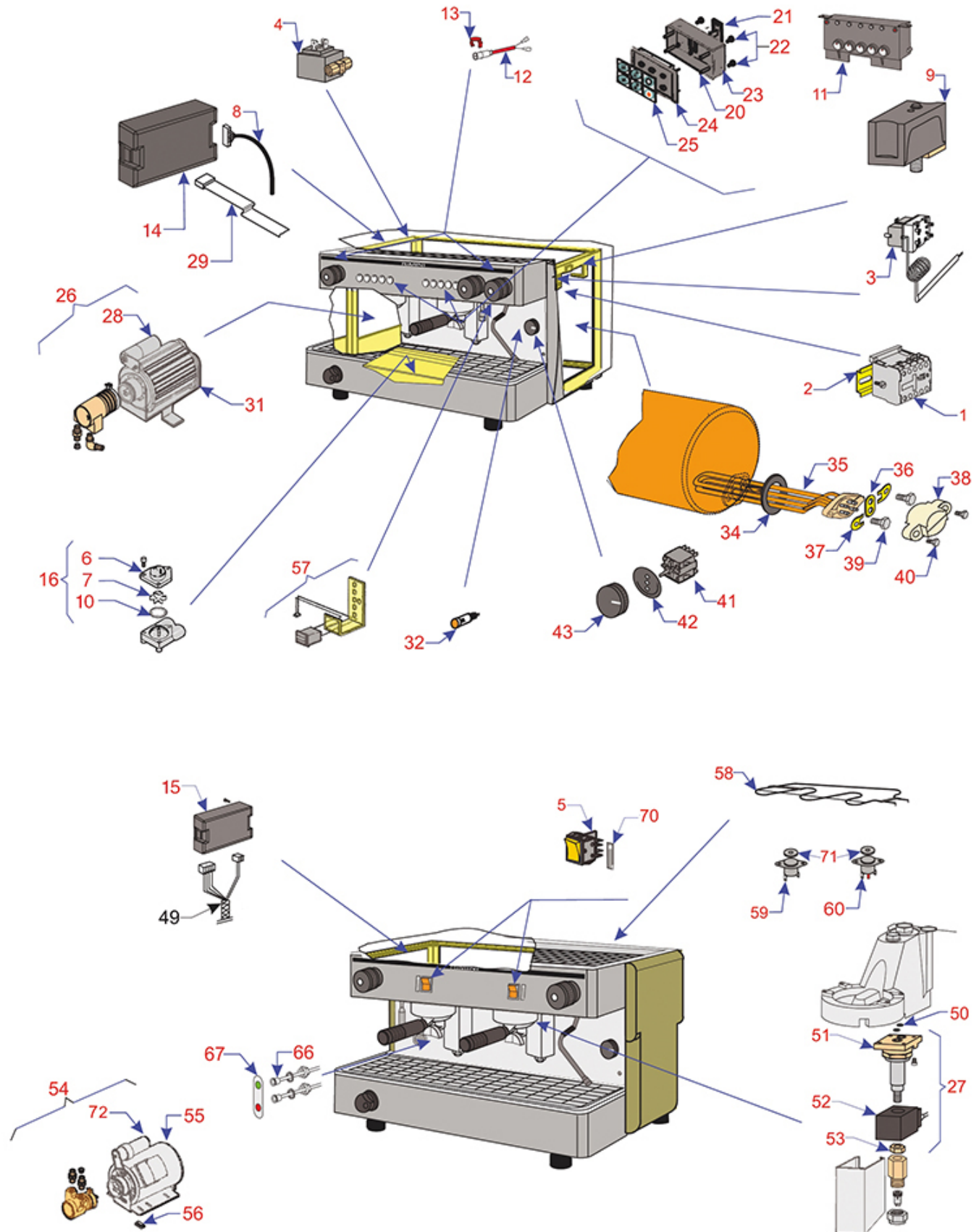


Position	LF code no.	Description
3	1444509	THREE-PHASE THERMOSTAT 169°C
4	1120155	2-WAY SOLENOID VALVE PARKER 110V 50/60Hz
4	1120700	2-WAY SOLENOID VALVE PARKER 230V 50/60Hz
5	1120153	2-WAY SOLENOID VALVE PARKER 110V 50/60Hz
5	1120354	2-WAY SOLENOID VALVE PARKER 230V 50/60Hz
11	1319076	PUSH-BUTTON PANEL 5 BUTTONS
12	1319079	PUSH-BUTTON PANEL 1 BUTTON
13	1319077	PUSH-BUTTON PANEL 2 BUTTONS
15	3068006	CAPACITOR DUCATI ENERGIA 4μF
16	1455067	VOLUMETRIC FLOW METER GICAR
17	1319078	PUSH-BUTTON PANEL 1 BUTTON
18	3068014	CAPACITOR DUCATI μF 8 450V 50/60Hz
19	3455333	COVER-HEAD FOR VOLUMETRIC FLOW METER LED
20	1320531	PRESSURE SWITCH P302/6 3-POLES 30A
22	1455032	IMPELLER GICAR
23	1186631	O-RING 02112 VITON
27	1120476	3-WAY SOLENOID VALVE PARKER 230V 50/60Hz
33	1319031	SELECTOR SWITCH 0-2 POSITIONS 16A 250V
35	1241430	KNOB ø 42 mm
36	1186179	PTFE FLAT GASKET ø 57x43x3 mm
37	1755109	HEATING ELEMENT 5000W 220V
37	1755136	HEATING ELEMENT 3000W 230V
37	1755210	HEATING ELEMENT 3500W 230V
50	1186612	O-RING 02025 VITON
51	1120339	3-WAY MECHANICAL COMPONENT PARKER
52	1120361	COIL PARKER YB09 220/230V 9W 50/60Hz
52	5037619	COIL PARKER YB09 115V 9W 50/60Hz



## ELECTRICAL PARTS RIMINI

### FUTURMAT RIMINI



Positions without LF code no.: upon request



# FUTURMAT-ARIETE



Position	LF code no.	Description
3	1444509	THREE-PHASE THERMOSTAT 169°C
4	1120308	2-WAY SOLENOID VALVE SIRAI 230V 50Hz
5	3319035	ORANGE BIPOLAR SWITCH 16A 250V
6	3455333	COVER-HEAD FOR VOLUMETRIC FLOW METER LED
7	1455032	IMPELLER GICAR
9	1320531	PRESSURE SWITCH P302/6 3-POLES 30A
10	1186631	O-RING 02112 VITON
11	1319638	PUSH-BUTTON PANEL 5 BUTTONS
14	1054551	DOSER CONTROL BOX 1-2-3-4 GROUPS 230V
15	1341200	LEVEL REGULATOR 230V 50/60Hz 5A
16	1455067	VOLUMETRIC FLOW METER GICAR
24	1319065	PUSH-BUTTON PANEL 5 BUTTONS
25	1319064	PUSH-BUTTON PANEL MEMBRANE 6 BUTTONS
25	1319069	PUSH-BUTTON PANEL MEMBRANE 6 BUTTONS
27	1120476	3-WAY SOLENOID VALVE PARKER 230V 50/60Hz
28	3068006	CAPACITOR DUCATI ENERGIA 4µF
32	1221301	RED INDICATOR LAMP 250V
34	1186179	PTFE FLAT GASKET ø 57x43x3 mm
35	1755108	HEATING ELEMENT 3700W 220V
35	1755136	HEATING ELEMENT 3000W 230V
35	1755654	HEATING ELEMENT 2600W 110V
41	1319031	SELECTOR SWITCH 0-2 POSITIONS 16A 250V
43	1241430	KNOB ø 42 mm
50	1186612	O-RING 02025 VITON
51	1120339	3-WAY MECHANICAL COMPONENT PARKER
52	1120361	COIL PARKER YB09 220/230V 9W 50/60Hz
52	5037619	COIL PARKER YB09 115V 9W 50/60Hz
72	3068014	CAPACITOR DUCATI µF 8 450V 50/60Hz



Suitable for:

Suitable for:

## Bearings

**1063906 BEARING 6203 ZZ NSK**  
external  $\varnothing$  40mm - internal  $\varnothing$  17mm - thickness 12mm  
for Coffee machine (FUTURMAT-ARIETE) PALANCA



FUTURMAT-ARIETE 01472604

## Boiler safety valves

**1523534 BOILER VALVE  $\varnothing$  1/4" M**  
stainless steel - new model  
internal PTFE coating - or viton



FUTURMAT-ARIETE

**1515100 BOILER VALVE  $\varnothing$  3/8" M 1.8bar CE-PED**  
calibration pressure 1.8 bar  
steam outlet capacity 6.3 Kg/h



FUTURMAT-ARIETE 08074701

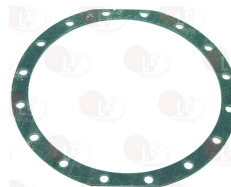
## Boilers

**1048103 ALUMINIUM FLANGE-COVER 16 HOLES**



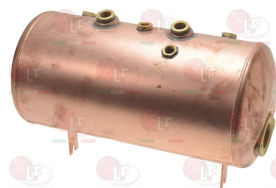
FUTURMAT-ARIETE

**1186552 BOILER GASKET  $\varnothing$  243x205x3 mm**  
universal carbo - 16 holes



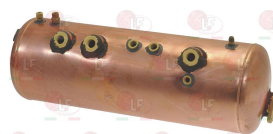
FUTURMAT-ARIETE

**1024501 BOILER 2 GROUPS**



FUTURMAT-ARIETE

**1024502 BOILER 3 GROUPS**

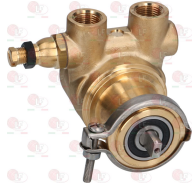


FUTURMAT-ARIETE



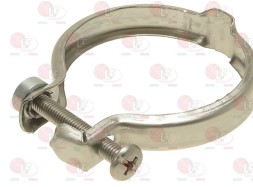
## Booster pumps

**1330002 ROTARY VANE PUMP ROTOFLOW  $\varnothing$  3/8" NPT**  
 clamp connection  
 flowrate 200 L/h  
 equipped with balanced bypass  
 NSF - WRAS approved  
 PA204



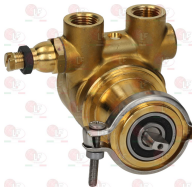
FUTURMAT-ARIETE 07822109

**1168011 STAINLESS STEEL CLAMP FOR FLANGE PUMP**



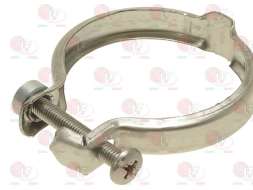
FUTURMAT-ARIETE 07451909

**1330101 ROTARY VANE PUMP ROTOFLOW  $\varnothing$  3/8" NPT**  
 flange connection  
 flowrate 100 L/h  
 with balanced by-pass  
 fitting  $\varnothing$  3/8" conical NPT  
 N.S.F. approved  
 PUMP VERSION ECO-BRASS  
 BRASS CW510L LEAD  $\leq$  0.2%



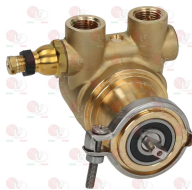
FUTURMAT-ARIETE

**1168011 STAINLESS STEEL CLAMP FOR FLANGE PUMP**



FUTURMAT-ARIETE 07451909

**1330102 ROTARY VANE PUMP ROTOFLOW  $\varnothing$  3/8" NPT**  
 flange connection  
 flowrate 200 L/h  
 with balanced by-pass  
 fitting  $\varnothing$  3/8" conical NPT  
 N.S.F. approved  
 PUMP VERSION ECO-BRASS  
 BRASS CW510L LEAD  $\leq$  0.2%



FUTURMAT-ARIETE

**1168011 STAINLESS STEEL CLAMP FOR FLANGE PUMP**



FUTURMAT-ARIETE 07451909

## Brushes

**1384023 BRUSH FOR CLEANING 50 mm**



FUTURMAT-ARIETE

**1384001 BRUSH FOR COFFEE SHOWER**



FUTURMAT-ARIETE



# FUTURMAT-ARIETE



Suitable for:

Suitable for:

**1384002 BRUSH FOR MAINTENANCE**

**1384014 BRUSH FOR SHOWER RED**



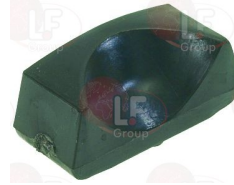
FUTURMAT-ARIETE

FUTURMAT-ARIETE

## Bumpers

**1186254 RUBBER SHOCK ABSORBER**  
for brew group lever  
for Coffee machine (FUTURMAT-ARIETE) PALANCA

**1186258 RUBBER SHOCK ABSORBER**  
for lever brew group  
for Coffee machine (FUTURMAT-ARIETE) PALANCA



FUTURMAT-ARIETE 00103200

FUTURMAT-ARIETE 00103002

## Capacitors, electrical

**3068014 CAPACITOR DUCATI  $\mu$ F 8 450V 50/60Hz**  
operating temperature  $-25+85^{\circ}\text{C}$   
in compliance with EEC 93/68 and 92/31 regulations

**3068006 CAPACITOR DUCATI ENERGIA  $4\mu$ F**  
operating temperature  $-25+85^{\circ}\text{C}$   
in compliance with EEC 93/68 and EEC 92/31 regulat



FUTURMAT-ARIETE 08127200

FUTURMAT-ARIETE 01123000

**3068095 CAPACITOR ELECTRICAL  $4\mu$ F**  
450V 50/60Hz -  $\varnothing$  30xh51 mm

**3068079 CAPACITOR ELECTRICAL  $8\mu$ F**  
450V 50/60Hz -  $\varnothing$  30xh71 mm



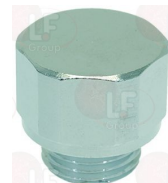
FUTURMAT-ARIETE 01123000

FUTURMAT-ARIETE 08127200

## Caps

**1439001 CAP  $\varnothing$  16 mm FOR BREW GROUP**  
for Coffee machine (FUTURMAT-ARIETE) ARIETE  
CUSTOM

**5030808 CAP  $\varnothing$  3/8" FOR BREW GROUP**  
for Coffee machine (FUTURMAT-ARIETE) ARIETE  
CUSTOM - F3 - RIMINI



FUTURMAT-ARIETE 02446201

FUTURMAT-ARIETE 07557200

## Clamps

### 1168011 STAINLESS STEEL CLAMP FOR FLANGE PUMP



FUTURMAT-ARIETE 07451909

## Coffee filters

### 1160504 2 CUPS POD FILTER



FUTURMAT-ARIETE 08365100

### 1160339 BLIND FILTER



FUTURMAT-ARIETE 02190205

**5064969 FILTRO CAPSULE EP-FAP SUPER EMULSIONE**  
adattatore per capsule singola dose  
completo di valvola interna a pressione  
per rendere cremoso il prodotto in tazza  
da abbinare al portafiltro senza fondo specifico  
per la marca della macchina



FUTURMAT-ARIETE

**1460100 PRECISION FILTER 1 CUP 6/8 g H24.5**  
round holes with conical section  
Aisi 304 stainless steel - food-safe certified  
matching tamper  $\varnothing$  58 mm  
for COFFEE MACHINES ASTORIA-CASADIO-CONTI-ELEKTRA  
FRACINO-KEESVANDERWESTEN-MAGISTER-MARZOCCO  
N.SIMONELLI-PAVONI-PROMAC-RANCILIO-SLAYER-SYNESSO  
VICTORIA ARDUINO  
for GROUPS E61 ASCASO-BEZZERA-BFC-BIANCHI  
BRASILIA-DID-ECM-EXPOBAR-FAEMA-FIORENZATO-GRIMAC  
IBERITAL-LANUOVAERA-LASCALA-ORCHESTRALE  
QUALITYESPRESSO-ROCKET-ROYAL-SABITALIA-SANREMO-VFA  
VIBIEMME-WEGA



FUTURMAT-ARIETE

**1460101 PRECISION FILTER 1 CUP 7/9 g H26.5**  
round holes with conical section  
Aisi 304 stainless steel - food safe certified  
matching tamper  $\varnothing$  58 mm  
for GROUP E61 ASCASO-BEZZERA-BFC-BIANCHI  
BRASILIA-DID-ECM-EXPOBAR-FAEMA-FIORENZATO-GRIMAC  
IBERITAL-LANUOVAERA-LASCALA-L'ORCHESTRALE  
QUALITYESPRESSO-ROCKET-ROYAL-SABITALIA-SANREMO-VFA  
VIBIEMME-WEGA



FUTURMAT-ARIETE

**1460102 PRECISION FILTER 2 CUPS 12/18 g H24.5**  
round holes with conical section  
Aisi 304 stainless steel - food safe certified  
matching tamper  $\varnothing$  58 mm  
for GROUP E61 ASCASO-BEZZERA-BFC-BIANCHI  
BRASILIA-DID-ECM-EXPOBAR-FAEMA-FIORENZATO-GRIMAC  
IBERITAL-LANUOVAERA-LASCALA-L'ORCHESTRALE  
QUALITYESPRESSO-ROCKET-ROYAL-SABITALIA-SANREMO-VFA  
VIBIEMME-WEGA



FUTURMAT-ARIETE



# FUTURMAT-ARIETE



Suitable for:

Suitable for:

**1460103 PRECISION FILTER 2 CUPS 14/20 g H26.5**  
 round holes with conical section  
 Aisi 304 stainless steel - food safe certified  
 matching tamper ø 58 mm  
 for GROUP E61 ASCASO-BEZZERA-BFC-BIANCHI  
 BRASILIA-DID-ECM-EXPOBAR-FAEMA-FIORENZATO-GRIMAC  
 IBERITAL-LANUOVAERA-LASCALA-L'ORCHESTRALE  
 QUALITYESPRESSO-ROCKET-ROYAL-SABITALIA-SANREMO-VFA  
 VIBIEMME-WEGA



FUTURMAT-ARIETE

**1460104 PRECISION FILTER 2 CUPS 18/22 g H28,5**  
 round holes with conical section  
 Aisi 304 stainless steel - food safe certified  
 matching tamper ø 58 mm  
 for GROUP E61 ASCASO-BEZZERA-BFC-BIANCHI  
 BRASILIA-DID-ECM-EXPOBAR-FAEMA-FIORENZATO-GRIMAC  
 IBERITAL-LANUOVAERA-LASCALA-L'ORCHESTRALE  
 QUALITYESPRESSO-ROCKET-ROYAL-SABITALIA-SANREMO-VFA  
 VIBIEMME-WEGA



FUTURMAT-ARIETE

**1460400 PRECISION FILTER 2T 12/18 g H24**  
 ultrafine model  
 circular holes with conical section  
 Aisi 304 steel - food-safe certified  
 ø 58 mm suitable tamper  
 for COFFEE MACHINES: ASTORIA-CASADIO-CONTI-ELEKTRA  
 FRACINO-KEESVANDERWESTEN-MAGISTER-MARZOCCO  
 N.SIMONELLI-PAVONI-PROMAC-RANCILIO-SLAYER-SYNESSO  
 VICTORIA ARDUINO  
 for GROUPS: E61 ASCASO-BEZZERA-BFC-BIANCHI  
 BRASILIA-DID-ECM-EXPOBAR-FAEMA-FIORENZATO-GRIMAC  
 IBERITAL-LANUOVAERA-LASCALA-ORCHESTRALE  
 QUALITYESPRESSO-ROCKET-ROYAL-SABITALIA-SANREMO-VFA  
 VIBIEMME-WEGA



FUTURMAT-ARIETE

**1460401 PRECISION FILTER 2T 14/20 g H26**  
 ultrafine model  
 circular holes with conical section  
 Aisi 304 steel - food-safe certified  
 ø 58 mm suitable tamper  
 for COFFEE MACHINES: ASTORIA-CASADIO-CONTI-ELEKTRA  
 FRACINO-KEESVANDERWESTEN-MAGISTER-MARZOCCO  
 N.SIMONELLI-PAVONI-PROMAC-RANCILIO-SLAYER-SYNESSO  
 VICTORIA ARDUINO  
 for GROUPS: E61 ASCASO-BEZZERA-BFC-BIANCHI  
 BRASILIA-DID-ECM-EXPOBAR-FAEMA-FIORENZATO-GRIMAC  
 IBERITAL-LANUOVAERA-LASCALA-ORCHESTRALE  
 QUALITYESPRESSO-ROCKET-ROYAL-SABITALIA-SANREMO-VFA  
 VIBIEMME-WEGA



FUTURMAT-ARIETE

**1460402 PRECISION FILTER 2T 18/22 g H28**  
 ultrafine model  
 circular holes with conical section  
 Aisi 304 steel - food-safe certified  
 ø 58 mm suitable tamper  
 for COFFEE MACHINES: ASTORIA-CASADIO-CONTI-ELEKTRA  
 FRACINO-KEESVANDERWESTEN-MAGISTER-MARZOCCO  
 N.SIMONELLI-PAVONI-PROMAC-RANCILIO-SLAYER-SYNESSO  
 VICTORIA ARDUINO  
 for GROUPS: E61 ASCASO-BEZZERA-BFC-BIANCHI  
 BRASILIA-DID-ECM-EXPOBAR-FAEMA-FIORENZATO-GRIMAC  
 IBERITAL-LANUOVAERA-LASCALA-ORCHESTRALE  
 QUALITYESPRESSO-ROCKET-ROYAL-SABITALIA-SANREMO-VFA  
 VIBIEMME-WEGA



FUTURMAT-ARIETE

**1160060 1 CUP FILTER 6 gr**



FUTURMAT-ARIETE 01441807



Suitable for:

Suitable for:

**1160062 1 CUP FILTER 7 gr**



FUTURMAT-ARIETE 02183002

**1160503 1 CUP POD FILTER**



FUTURMAT-ARIETE 08365000

**1160061 2 CUPS FILTER 12 gr**



FUTURMAT-ARIETE 01657501

**1160063 2 CUPS FILTER 14 gr**



FUTURMAT-ARIETE 02199404

## Coffee groups

**1349404 COUPLING DISCHARGE**

old model  
for Coffee machine (FUTURMAT-ARIETE) RIMINI

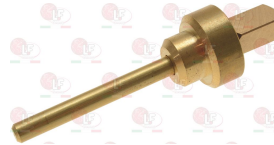


FUTURMAT-ARIETE 07976004

FUTURMAT-ARIETE 07976010

**1192190 BREW VALVE COMPLETE**

round pin - overall length 59.5 mm  
for brew group  
for Coffee machine (FUTURMAT-ARIETE) ARIETE  
CUSTOM - E61



FUTURMAT-ARIETE 02023000

**1186313 CAM GUIDE BUSHING**

for brew group  
for Coffee machine (FUTURMAT-ARIETE) ARIETE  
CUSTOM - E61



FUTURMAT-ARIETE 01860402

**1349506 CAMS CHROMIUM-PLATED FITTING**

for Coffee machine (FUTURMAT-ARIETE) ARIETE  
CUSTOM



FUTURMAT-ARIETE 02026300

**1523008 COMPLETE DRAIN VALVE**

triangular pin - total length 58 mm  
for brew group  
for Coffee machine (FUTURMAT-ARIETE) ARIETE  
CUSTOM - E61



FUTURMAT-ARIETE 02022903

**1523501 COMPLETE DRAIN VALVE**

for brew group  
for Coffee machine (FUTURMAT-ARIETE) ARIETE  
CUSTOM - E61



FUTURMAT-ARIETE 02022804



# FUTURMAT-ARIETE



Suitable for:

Suitable for:

**1439006 DRAIN CHROMIUM-PLATED FITTING**  
total height 36 mm  
for Coffee machine (FUTURMAT-ARIETE) ARIETE  
CUSTOM

**1349405 DRAIN JET SWIRL**  
for brew group  
for Coffee machine (FUTURMAT-ARIETE) F3



FUTURMAT-ARIETE 02121002

FUTURMAT-ARIETE 07975907

FUTURMAT-ARIETE 07975910

**1390501 DRAIN JET SWIRL**  
for brew group  
for Coffee machine (FUTURMAT-ARIETE) ARIETE  
CUSTOM - E61

**1160515 FILTER HOLDER BUSHING**  
for brew group  
for Coffee machine (FUTURMAT-ARIETE) ARIETE  
CUSTOM - E61

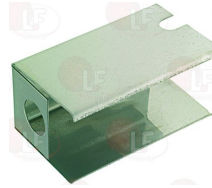


FUTURMAT-ARIETE 02121101

FUTURMAT-ARIETE 02446300

**1186309 GASKET HOLDER BUSHING**  
for Coffee machine (FUTURMAT-ARIETE) ARIETE  
CUSTOM - E61

**1201572 MANUAL SOLENOID COVER**  
for Coffee machine (FUTURMAT-ARIETE) F3 - RIMINI



FUTURMAT-ARIETE 01955103

FUTURMAT-ARIETE 02021608

FUTURMAT-ARIETE 07716808

FUTURMAT-ARIETE 08426600

**1027002 OUTLET CHROMIUM-PLATED SLEEVE**  
for Coffee machine (FUTURMAT-ARIETE) ARIETE  
CUSTOM - RIMINI

**1439533 STUFFING GLAND CHROME-PLATED FITTING**  
for delivery group  
for Coffee machine (FUTURMAT-ARIETE) ARIETE  
CUSTOM



FUTURMAT-ARIETE 02010809

FUTURMAT-ARIETE 01878909

**1027016 UPPER CHROMIUM-PLATED SLEEVE**  
for Coffee machine (FUTURMAT-ARIETE) ARIETE  
CUSTOM



FUTURMAT-ARIETE 02102300

## Coffee measuring spoons

1069001 PLASTIC MEASURING SPOON 20 ml

1069002 STAINLESS STEEL MEASURING SPOON 20 ml

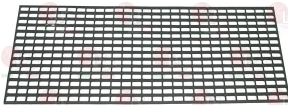


FUTURMAT-ARIETE

FUTURMAT-ARIETE

## Cup support grids

1185711 CUP WARMING GRID  
size 215x390 mm



FUTURMAT-ARIETE 07653801

## Drain hoses

1449270 DRAIN PIPE ELISPIR  $\varnothing$  12x18 mm - 30 m  
alimentary

1449670 DRAIN PIPE ELISPIR  $\varnothing$  12x18 mm - 5 m  
alimentary



FUTURMAT-ARIETE

FUTURMAT-ARIETE

1449271 DRAIN PIPE ELISPIR  $\varnothing$  14x20 mm - 30 m  
alimentary

1449671 DRAIN PIPE ELISPIR  $\varnothing$  14x20 mm - 5 m  
alimentary



FUTURMAT-ARIETE

FUTURMAT-ARIETE

1449272 DRAIN PIPE ELISPIR  $\varnothing$  16x23 mm - 30 m  
alimentary

1449672 DRAIN PIPE ELISPIR  $\varnothing$  16x23 mm - 5 m  
alimentary



FUTURMAT-ARIETE

FUTURMAT-ARIETE



# FUTURMAT-ARIETE



Suitable for:

**1449273 DRAIN PIPE ELISPIR  $\varnothing$  18x25 mm - 30 m**  
alimentary



FUTURMAT-ARIETE

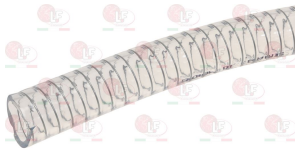
Suitable for:

**1449673 DRAIN PIPE ELISPIR  $\varnothing$  18x25 mm - 5 m**  
alimentary



FUTURMAT-ARIETE

**1449274 DRAIN PIPE ELISPIR  $\varnothing$  20x27 mm - 30 m**  
alimentary



FUTURMAT-ARIETE

**1449674 DRAIN PIPE ELISPIR  $\varnothing$  20x27 mm - 5 m**  
alimentary



FUTURMAT-ARIETE

**1449255 OUTLET HOSE ELISPIR  $\varnothing$  25x33 mm**  
sold per meter



FUTURMAT-ARIETE

**1449256 OUTLET HOSE ELISPIR  $\varnothing$  30x38 mm**  
sold per meter



FUTURMAT-ARIETE

## Drain tanks

**1527503 DRAIN TUB**  
dimensions 67x55x35 mm  
fitting  $\varnothing$  1/2" M  
for model E61



FUTURMAT-ARIETE

**1527531 DRAIN TUB**  
for Coffee machine (FUTURMAT-ARIETE) E61 - F3  
PALANCA - RIMINI



FUTURMAT-ARIETE 0271/050106

## Electronic boxes

**1054551 DOSER CONTROL BOX 1-2-3-4 GROUPS 230V**  
for Coffee machine (FUTURMAT-ARIETE) ARIETE - F3  
RIMINI



FUTURMAT-ARIETE 08087604

FUTURMAT-ARIETE 08280307

FUTURMAT-ARIETE 08524600



## Filter holder gaskets

**1186722 FILTER HOLDER GASKET  $\varnothing$  73x57x8 mm**  
for Coffee machine (FUTURMAT-ARIETE) ARIETE  
CUSTOM - E61 - F3 - PALANCA - RIMINI



FUTURMAT-ARIETE 01652809

**1186723 FILTER HOLDER GASKET  $\varnothing$  73x57x8.5 mm**  
for Coffee machine (FUTURMAT-ARIETE) ARIETE  
CUSTOM - E61 - F3 - PALANCA - RIMINI



FUTURMAT-ARIETE 01652809

**1186724 FILTER HOLDER GASKET  $\varnothing$  73x57x9 mm**  
for Coffee machine (FUTURMAT-ARIETE) ARIETE  
CUSTOM - E61 - F3 - PALANCA - RIMINI



FUTURMAT-ARIETE 01160400

**1486724 GASKET FILTERHOLDER  $\varnothing$  73x57x10 mm**  
for Coffee machine (FUTURMAT-ARIETE) ARIETE  
CUSTOM - E61 - F3 - PALANCA - RIMINI



FUTURMAT-ARIETE

## Filter holders for coffee machines

**1165153 BARLEY POD FILTER HOLDER FUTURMAT**  
flow regulation by  
the knob rotation  
wings 6.8 mm



FUTURMAT-ARIETE

**1165184 BOTTOMLESS FILTER HOLDER FUTURMAT**  
wings 7.2 mm



FUTURMAT-ARIETE

**5057230 FILTER HOLDER ASSEMBLY 1 CUP FUTURMAT**  
spout connection  $\varnothing$  3/8" - knob connection M12  
fins 6.5 mm - with spring - without filter  
for Coffee machine (FUTURMAT-ARIETE) ARIETE  
CUSTOM - E61 - F3 - RIMINI



FUTURMAT-ARIETE 08103300

FUTURMAT-ARIETE 08485800

**5034110 FILTER HOLDER ASSEMBLY 2 CUPS FUTURMAT**  
spout connection  $\varnothing$  3/8" - knob connection M12  
fins 6.5 mm - with spring without filter  
for Coffee machine (FUTURMAT-ARIETE) ARIETE  
CUSTOM - E61 - F3 - RIMINI



FUTURMAT-ARIETE 08103400



# FUTURMAT-ARIETE



Suitable for:

**1165022 FILTER HOLDER COFFEE MACHINES**  
spout connection  $\varnothing$  3/8" - handle connection M12  
wings 7 mm  
for Coffee machine (FUTURMAT-ARIETE)



FUTURMAT-ARIETE 11252202

Suitable for:

**1165036 FILTER HOLDER COFFEE MACHINES**  
spout connection  $\varnothing$  3/8" - handle connection M8  
wings 6.5 mm  
for Coffee machine (FUTURMAT-ARIETE)



FUTURMAT-ARIETE 08103510

**5055624 FILTER HOLDER FUTURMAT COFFEE MACHINES**  
spout connection  $\varnothing$  3/8" - knob connection M12  
fins 6.5 mm



FUTURMAT-ARIETE 08480050

**1165500 FILTERHOLDER WITH THERMOMANOMETER**  
measures water temperature and outlet pressure  
from the brew group  
temperature scale 0-120°C / 0-240°F  
pressure scale 0-16 bar / 0-200 psi  
with outlet ballvalve  
fins 7.2 mm  
for Coffee machine (FUTURMAT-ARIETE)



FUTURMAT-ARIETE

**5083605 PORTAFILTRO CAPSULE LAVAZZA VARI MARCHI**  
alette 7,2 mm  
per capsule singole lavazza blue



FUTURMAT-ARIETE

**5085669 PORTAFILTRO SENZA FONDO VARI MARCHI**  
alette 7,2 mm  
adattabile per macchine BRASILIA  
adattabile per macchine BRUGNETTI-AURORA  
adattabile per macchine CASADIO  
adattabile per macchine ECM  
adattabile per macchine FAEMA  
adattabile per macchine FUTURMAT-ARIETE  
adattabile per macchine GRIMAC



FUTURMAT-ARIETE

## Filter locking springs

**1250101 FILTER BLOCKING SPRING  $\varnothing$  1,00 mm INOX**



FUTURMAT-ARIETE

FUTURMAT-ARIETE 11214301

**1250338 FILTER LOCKING SPRING  $\varnothing$  1.40 mm ST.STEEL**



FUTURMAT-ARIETE



# FUTURMAT-ARIETE



Suitable for:

1250002 S/STEEL FILTER LOCKING SPRING  $\varnothing$  1.20 mm



FUTURMAT-ARIETE

Suitable for:

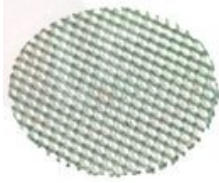
1250333 SPRING FILTER BLOCK  $\varnothing$  1.30 mm ST.STEEL



FUTURMAT-ARIETE

## Filters

1160516 WATER FILTER  $\varnothing$  11 mm



FUTURMAT-ARIETE 02435808

1160311 WATER FILTER  $\varnothing$  7 mm



FUTURMAT-ARIETE 07362205

1160507 WATER FILTER  $\varnothing$  8.5x15 mm



FUTURMAT-ARIETE 08298700

## Fittings

1349278 BOILER FITTING  $\varnothing$  1/2"M-1/2"M-1/4"F  
for Coffee machine (FUTURMAT-ARIETE) E61



FUTURMAT-ARIETE 08306200

FUTURMAT-ARIETE 10044717

FUTURMAT-ARIETE 10044733

1349408 CONICAL COUPLING



FUTURMAT-ARIETE 07466501

3349307 STRAIGHT FITT. 1/4"F  $\varnothing$  6/4 NICKEL-PLATED



FUTURMAT-ARIETE 08466210



Suitable for:

Suitable for:

## Flowmeters

**1455033 CONNECTOR FEMALE SMALL**  
for volumetric flowmeter



FUTURMAT-ARIETE

**3455333 COVER-HEAD FOR VOLUMETRIC FLOW METER LED**



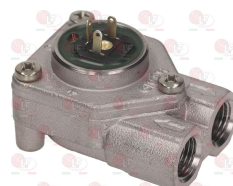
FUTURMAT-ARIETE 08307500A

**1455032 IMPELLER GICAR**



FUTURMAT-ARIETE 0571/050126B

**1455067 VOLUMETRIC FLOW METER GICAR**  
connections  $\varnothing$  1/4"FF - orifice 1.15 mm - NSF  
for Coffee machine (FUTURMAT-ARIETE) ARIETE - F3  
RIMINI



FUTURMAT-ARIETE 0571/050126

FUTURMAT-ARIETE 08307500

## Gaskets and seals

**1186394 ASBESTOS FREE FLAT GASKET  $\varnothing$  22x17x2 mm**



FUTURMAT-ARIETE 01539006

**1186340 ASBESTOS FREE FLAT GASKET  $\varnothing$  26x20x2 mm**



FUTURMAT-ARIETE

**1186442 BLIND GASKET  $\varnothing$  12x5.8 mm SILICONE**



FUTURMAT-ARIETE 11181302

**1186128 CONICAL EPDM SEAL  $\varnothing$  12x4x4 mm**  
for water inlet tap



FUTURMAT-ARIETE 02932200

**1186176 CONICAL PTFE SEAL  $\varnothing$  15x8x7 mm**  
for water/steam pipe



FUTURMAT-ARIETE 08165201

**1186811 COPPER FLAT GASKET  $\varnothing$  10x6x1 mm**



FUTURMAT-ARIETE 07411705

Suitable for:

Suitable for:

**1186239 COPPER FLAT GASKET  $\varnothing$  13x6x1 mm**



FUTURMAT-ARIETE 04711701

**1186262 COPPER FLAT GASKET  $\varnothing$  16x12x1.5 mm**



FUTURMAT-ARIETE 07411507

**1186232 COPPER FLAT GASKET  $\varnothing$  19x13.5x1.5 mm**



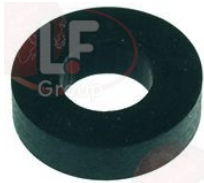
FUTURMAT-ARIETE 01626804

**1186620 COPPER FLAT GASKET  $\varnothing$  22x17x1.5 mm**



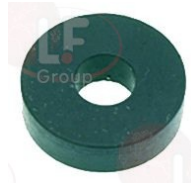
FUTURMAT-ARIETE 07412208

**1186312 EPDM FLAT GASKET  $\varnothing$  15.5x7.5x4 mm**



FUTURMAT-ARIETE 10257608

**1186369 EPDM FLAT GASKET  $\varnothing$  15x5.5x4 mm**



FUTURMAT-ARIETE 02122802

**1186606 FLAT CARBO GASKET  $\varnothing$  57x43x3 mm**  
in universal carbo  
for heating element



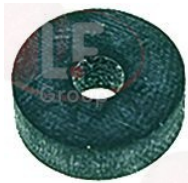
FUTURMAT-ARIETE

**1186129 GASKET FLAT NBR  $\varnothing$  15/6x10 mm**  
external  $\varnothing$  15/6 mm - total height 10 mm



FUTURMAT-ARIETE 01853704

**1186311 NBR FLAT GASKET  $\varnothing$  13x4x4 mm**



FUTURMAT-ARIETE 01954502

**1186326 PTFE FLAT GASKET  $\varnothing$  22x16x2 mm**



FUTURMAT-ARIETE 02455103

FUTURMAT-ARIETE 02455202

**1186314 PTFE FLAT GASKET  $\varnothing$  22x17x2 mm**



FUTURMAT-ARIETE 05132808

**1186323 PTFE FLAT GASKET  $\varnothing$  24x18x2 mm**



FUTURMAT-ARIETE



# FUTURMAT-ARIETE



Suitable for:

Suitable for:

1186117 PTFE FLAT GASKET  $\varnothing$  26x21x2 mm

1186307 PTFE FLAT GASKET  $\varnothing$  36x30x2 mm

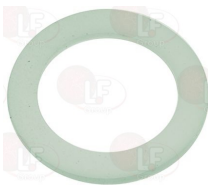


FUTURMAT-ARIETE

FUTURMAT-ARIETE 05132900

1186179 PTFE FLAT GASKET  $\varnothing$  57x43x3 mm  
for heating element

1786309 SEALING CONE PTFE  $\varnothing$  14.5x7x8 mm  
for water/steam hose  
for Coffee machine (FUTURMAT-ARIETE) ARIETE  
CUSTOM - F3 - PALANCA



FUTURMAT-ARIETE 00165209

FUTURMAT-ARIETE 08397800

## Gaskets for coffee group

1186259 COFFEE GROUP GASKET  $\varnothing$  86x1 mm  
free of asbestos  
for Coffee machine (FUTURMAT-ARIETE) PALANCA

1186502 COFFEE GROUP GASKET 79x71x2 mm  
universal carbo



FUTURMAT-ARIETE 08150302

FUTURMAT-ARIETE 08150203

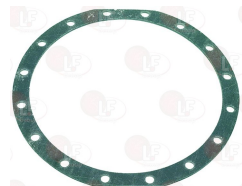
1186172 COFFEE GROUP GASKET 80x72 mm  
free of asbestos  
for Coffee machine (FUTURMAT-ARIETE) RIMINI



FUTURMAT-ARIETE 07718604

## Gaskets for coffee machine boiler

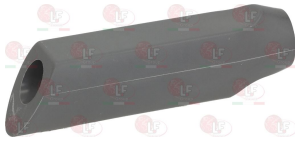
1186552 BOILER GASKET  $\varnothing$  243x205x3 mm  
universal carbo - 16 holes



FUTURMAT-ARIETE

## Handles for filterholder-portafilter

**1241482 FILTER HOLDER HANDLE**



FUTURMAT-ARIETE 08103618

**1241502 FILTER HOLDER HANDLE M10**



FUTURMAT-ARIETE

**1241169 FILTER HOLDER HANDLE M12**



FUTURMAT-ARIETE

**1241483 FILTER HOLDER HANDLE M12**  
for Coffee machine (FUTURMAT-ARIETE) PALANCA



FUTURMAT-ARIETE 07821705

**1241501 FILTER HOLDER HANDLE M12**



FUTURMAT-ARIETE

**1241504 FILTER HOLDER HANDLE M12**



FUTURMAT-ARIETE

**1241269 FILTER HOLDER KNOB M10**



FUTURMAT-ARIETE

**1141006 FILTER HOLDER KNOB M10 SOFT**



FUTURMAT-ARIETE

**1141007 FILTER HOLDER KNOB M124 SOFT**



FUTURMAT-ARIETE

**5051751 FILTERHOLDER KNOB WHITE M10**



FUTURMAT-ARIETE

**1141011 HANDLE FOR FILTER HOLDER**  
for Coffee machine (FUTURMAT-ARIETE) ARIETE  
CUSTOM - E61 - F3 - RIMINI



FUTURMAT-ARIETE  
FUTURMAT-ARIETE 08335900

FUTURMAT-ARIETE 08335700  
FUTURMAT-ARIETE 08336000

FUTURMAT-ARIETE 08335800

**1141004 HANDLE FOR FILTER HOLDER M10 WALNUT WOOD**



FUTURMAT-ARIETE



# FUTURMAT-ARIETE



Suitable for:

Suitable for:

5083515 HANDLE FOR FILTER HOLDER M10 WALNUT WOOD

1141003 HANDLE FOR FILTER HOLDER M12 WALNUT WOOD



FUTURMAT-ARIETE

FUTURMAT-ARIETE

5055983 HANDLE FOR FILTER HOLDER M12 WALNUT WOOD

5054505 KNOB F.FILTERHOLDER M12 RED POLISHED



FUTURMAT-ARIETE

FUTURMAT-ARIETE

1241505 KNOB FILTER HOLDER M10

5054506 RED FILTER HOLDER KNOB M10 POLISHED



FUTURMAT-ARIETE

FUTURMAT-ARIETE

5051102 WHITE FILTER HOLDER KNOB M12



FUTURMAT-ARIETE

## Heating elements

1755079 HEATING ELEMENT 2440/2900W 220/240V  
immersed length 290 mm - 4 poles  
distance between the holes 75 mm  
with bulb sheath - flange 96x57 mm  
for coffee machines with 2 groups

1186606 FLAT CARBO GASKET  $\varnothing$  57x43x3 mm  
in universal carbo  
for heating element



FUTURMAT-ARIETE 02212439

FUTURMAT-ARIETE





# FUTURMAT-ARIETE



Suitable for:

**1186179 PTFE FLAT GASKET  $\varnothing$  57x43x3 mm**  
for heating element



FUTURMAT-ARIETE 00165209

Suitable for:

**1755654 HEATING ELEMENT 2600W 110V**  
immersed length 350 mm - 4 poles  
distance between fastening holes 75 mm  
with bulb sheath - flange 95x57 mm  
for coffee machines 2 groups



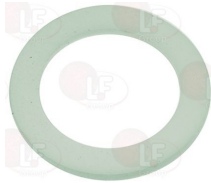
FUTURMAT-ARIETE 07949908

**1186606 FLAT CARBO GASKET  $\varnothing$  57x43x3 mm**  
in universal carbo  
for heating element



FUTURMAT-ARIETE

**1186179 PTFE FLAT GASKET  $\varnothing$  57x43x3 mm**  
for heating element



FUTURMAT-ARIETE 00165209

**1755136 HEATING ELEMENT 3000W 230V**  
immersed length 250 mm - 4 poles  
distance between the holes 75 mm  
with thermostat probe receptacle  
for Coffee machine (FUTURMAT-ARIETE) ARIETE  
CUSTOM - E61 - F3 - PALANCA - RIMINI



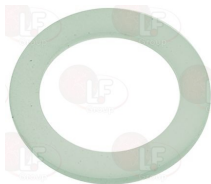
FUTURMAT-ARIETE 08024804

**1186606 FLAT CARBO GASKET  $\varnothing$  57x43x3 mm**  
in universal carbo  
for heating element



FUTURMAT-ARIETE

**1186179 PTFE FLAT GASKET  $\varnothing$  57x43x3 mm**  
for heating element



FUTURMAT-ARIETE 00165209



# FUTURMAT-ARIETE



Suitable for:

Suitable for:

**1755210 HEATING ELEMENT 3500W 230V**  
immersed length 340 mm - 4 poles  
distance between fixing holes 75 mm  
with bulb sheath - flange 95x57 mm  
for 2 groups coffee machines  
for Coffee machine (FUTURMAT-ARIETE) ARIETE  
CUSTOM - E61 - F3 - PALANCA - RIMINI

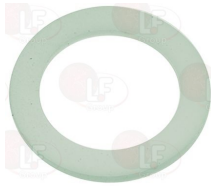
**1186606 FLAT CARBO GASKET  $\varnothing$  57x43x3 mm**  
in universal carbo  
for heating element



FUTURMAT-ARIETE 08148002

FUTURMAT-ARIETE

**1186179 PTFE FLAT GASKET  $\varnothing$  57x43x3 mm**  
for heating element



FUTURMAT-ARIETE 00165209

**1755108 HEATING ELEMENT 3700W 220V**  
immersed length 455 mm - 4 poles  
distance between the holes 75 mm  
with bulb sheath - flange 95x57 mm  
for coffee machines with 3 groups  
for Coffee machine (FUTURMAT-ARIETE) ARIETE  
CUSTOM - E61 - F3 - PALANCA - RIMINI

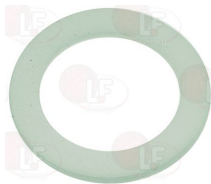
**1186606 FLAT CARBO GASKET  $\varnothing$  57x43x3 mm**  
in universal carbo  
for heating element



FUTURMAT-ARIETE 02212538

FUTURMAT-ARIETE

**1186179 PTFE FLAT GASKET  $\varnothing$  57x43x3 mm**  
for heating element



FUTURMAT-ARIETE 00165209

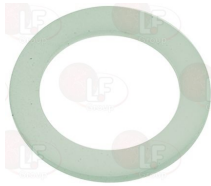
Suitable for:

**1755109 HEATING ELEMENT 5000W 220V**  
 immersed length 660 mm - 4 poles  
 distance between the holes 75 mm  
 flange 95x57 mm  
 for coffee machines with 4 groups  
 for Coffee machine (FUTURMAT-ARIETE) ARIETE  
 CUSTOM - E61 - F3 - PALANCA - RIMINI



FUTURMAT-ARIETE 02212637

**1186179 PTFE FLAT GASKET  $\varnothing$  57x43x3 mm**  
 for heating element



FUTURMAT-ARIETE 00165209

Suitable for:

**1186606 FLAT CARBO GASKET  $\varnothing$  57x43x3 mm**  
 in universal carbo  
 for heating element



FUTURMAT-ARIETE

## Hydraulic piping

**1449502 PTFE PIPE  $\varnothing$  4x6 mm - 10 m**  
 alimentary



FUTURMAT-ARIETE 67615606040

## Indicator lights

**1221302 ORANGE INDICATOR LAMP 250V**  
 $\varnothing$  head 13 mm -  $\varnothing$  hole 10 mm - 120°C  
 for Coffee machine (FUTURMAT-ARIETE) ARIETE  
 CUSTOM - E61 - PALANCA - RIMINI



FUTURMAT-ARIETE 07847820

**1221301 RED INDICATOR LAMP 250V**  
 $\varnothing$  head 13 mm -  $\varnothing$  hole 10 mm - 120°C  
 for Coffee machine (FUTURMAT-ARIETE) ARIETE  
 CUSTOM - E61 - PALANCA - RIMINI



FUTURMAT-ARIETE 07847800



Suitable for:

Suitable for:

## Injectors

**1501531 NOZZLE  $\varnothing$  8 HOLE  $\varnothing$  0.7 mm**  
for brew group  
for Coffee machine (FUTURMAT-ARIETE) RIMINI



FUTURMAT-ARIETE 07362106

**1501570 NOZZLE GROUP**  
for Coffee machine (FUTURMAT-ARIETE) ARIETE  
CUSTOM - E61 - F3 - RIMINI



FUTURMAT-ARIETE 08298800

**1501566 NOZZLE M6x1 HOLE  $\varnothing$  0,5 mm**  
for brew group  
for Coffee machine (FUTURMAT-ARIETE) ARIETE  
CUSTOM - E61



FUTURMAT-ARIETE 02446706

## Inlet hoses

**1449232 FLEX HOSE  $\varnothing$  3/8"Fc x 3/8"Fc 1600 MM**  
hose DN8 ( $\varnothing$  8x12 mm)  
NSF certified (U.S.A.)



FUTURMAT-ARIETE 0551/050112

**5024776 HOSE FLEX  $\varnothing$  3/8"Fc x 1/4"Fc 220 mm**  
hose DN8 ( $\varnothing$  8x12 mm)  
NSF (U.S.A.) certified



FUTURMAT-ARIETE 08341600

## Ironmongery (screws,nuts,washers)

**1528013 BLIND HEXAGONAL NUT M6**  
stainl. steel -height 16 mm -UNI 5721 - DIN 1587



FUTURMAT-ARIETE 08115600

**1186306 BRASS WASHER  $\varnothing$  10x5x1 mm FLAT**



FUTURMAT-ARIETE 04715801

**1184005 CAM LOCKING STAINLESS STEEL SCREW M6**  
for Coffee machine (FUTURMAT-ARIETE) ARIETE  
CUSTOM - E61



FUTURMAT-ARIETE 01770601

**1528501 COUNTERSUNK HEAD SCREWS WITH SHELL M5x12**  
cross recessed - stainless steel  
UNI 7689 - DIN 966 - ISO 7047



FUTURMAT-ARIETE



Suitable for:

**1455034 CYLINDER HEAD SCREW M4x10**  
stainless steel - with hexagon socket  
UNI 5931 - DIN 912 - ISO 4762



FUTURMAT-ARIETE 05194402

Suitable for:

**1528531 CYLINDER HEAD SCREW M8x80**  
stainless steel - with hexagon socket  
UNI 5931 - DIN 912 - ISO 4762



FUTURMAT-ARIETE 05193800

**1184010 LOW CYLINDER HEAD SCREW M6x10**  
stainless steel - with hexagon socket  
UNI 9327 - DIN 7984



FUTURMAT-ARIETE 05194006

**1349504 NUT  $\varnothing$  1/2" KEY 25x6 mm**  
for Coffee machine (FUTURMAT-ARIETE) ARIETE - E61  
F3 - PALANCA - RIMINI



FUTURMAT-ARIETE 05060600

**3389013 STAINLESS STEEL PIN  $\varnothing$  2x12 mm**  
UNI 1336 - DIN 94 - ISO 1234  
for DISHWASHER AC  
for RIMINI ELE26



FUTURMAT-ARIETE 05160007

**1186444 WASHER ELASTIC SPIRAL M6**  
internal/external  $\varnothing$  6.4/11.4 mm - thickness 3.2 mm  
in zinc plated iron alloy - UNI 1751 - DIN 127 B



FUTURMAT-ARIETE

**1186283 WASHER FLAT BRASS  $\varnothing$  14.5x7x2 mm**



FUTURMAT-ARIETE 08165508

**1186330 WASHER FLAT BRASS  $\varnothing$  6.8x3.2x0.5 mm**



FUTURMAT-ARIETE 04527503

FUTURMAT-ARIETE 04732202

## Knobs

**1241484 CUP WARMER KNOB**



FUTURMAT-ARIETE

**1225501 INLET TAP LEVER**  
for Coffee machine (FUTURMAT-ARIETE) ARIETE  
CUSTOM - E61



FUTURMAT-ARIETE 08111200



# FUTURMAT-ARIETE



Suitable for:

**1241430 KNOB  $\varnothing$  42 mm**  
D-shaped pin hole  $\varnothing$  6x4.6 mm  
for selector switch



FUTURMAT-ARIETE

Suitable for:

**1241422 KNOB FOR STEAM TAP**



FUTURMAT-ARIETE 08335400

FUTURMAT-ARIETE 08335500

**1241487 RING NUT FOR INLET TAP KNOB**  
for Coffee machine (FUTURMAT-ARIETE) ARIETE



FUTURMAT-ARIETE 08099500

**1186263 RING NUT FOR WATER/STEAM KNOB**



FUTURMAT-ARIETE 10983500

**1241371 RING NUT FOR WATER/STEAM KNOB**



FUTURMAT-ARIETE 08185804

**1241405 RING NUT FOR WATER/STEAM KNOB**



FUTURMAT-ARIETE 07633407

**1241481 RING NUT FOR WATER/STEAM KNOB**



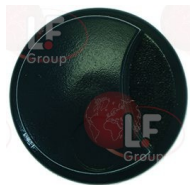
FUTURMAT-ARIETE 07633209

**1241429 SELECTOR SWITCH KNOB**



FUTURMAT-ARIETE 08099600

**1241409 SELECTOR SWITCH KNOB BLACK**



FUTURMAT-ARIETE

**1241378 SILK SCREEN PRINTING FLASH F.HANDLE**



FUTURMAT-ARIETE 08277006

**1241423 STEAM SILK SCREEN PRINT. F. HANDLE**



FUTURMAT-ARIETE 08147804

**1241486 WATER INLET SILK SCREEN PRINTING F. HAND**



FUTURMAT-ARIETE 08100000



Suitable for:

**1241408 WATER INLET TAP KNOB**  
hole for D shape pin  $\varnothing$  6x4.6 mm  
for Coffee machine (FUTURMAT-ARIETE) E61



FUTURMAT-ARIETE 07678709      FUTURMAT-ARIETE 08225401

Suitable for:

**1241485 WATER INLET TAP KNOB  $\varnothing$  42 mm**  
for Coffee machine (FUTURMAT-ARIETE) ARIETE



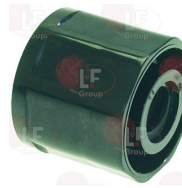
FUTURMAT-ARIETE 08099700

**1241376 WATER INLET TAP KNOB GREY**



FUTURMAT-ARIETE 08183311

**1241402 WATER/STEAM TAP HANDLE**  
PLASTIC core



FUTURMAT-ARIETE 07633308

**1241372 WATER/STEAM TAP KNOB**



FUTURMAT-ARIETE 08185911

**1241434 WATER/STEAM TAP KNOB**



FUTURMAT-ARIETE 08286106A

**1241551 WATER/STEAM TAP KNOB**



FUTURMAT-ARIETE

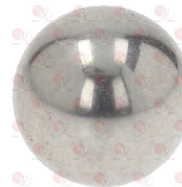
## Level balls

**1323415 STAINLESS STEEL BALL  $\varnothing$  11 mm**



FUTURMAT-ARIETE 01832005

**1323003 STAINLESS STEEL BALL  $\varnothing$  8 mm**



FUTURMAT-ARIETE 01720507



Suitable for:

Suitable for:

## Level gauges

**5024205 COMPLETE LEVEL GAUGE**  
entry / exit 1/2" - hose end fitting  $\varnothing$  8.5 mm



FUTURMAT-ARIETE 08181505

FUTURMAT-ARIETE 08181604

**1201526 LEVEL GAUGE PLATE**



FUTURMAT-ARIETE

**1520562 LEVEL GLASS  $\varnothing$  11x108 mm**



FUTURMAT-ARIETE 08181703

**1520522 LEVEL GLASS  $\varnothing$  11x135 mm SILK-SCREEN PRIN**



FUTURMAT-ARIETE

**1520534 LEVEL GLASS  $\varnothing$  12x107 mm SILK-SCREEN PRIN**  
for Coffee machine (FUTURMAT-ARIETE) STAR



FUTURMAT-ARIETE

**1520501 LEVEL GLASS  $\varnothing$  12x175 mm**



FUTURMAT-ARIETE

**1186229 LEVEL GLASS GASKET HOLDER**



FUTURMAT-ARIETE

## Level regulators

**1341200 LEVEL REGULATOR 230V 50/60Hz 5A**  
for Coffee machine (FUTURMAT-ARIETE) E61 - PALANCA RIMINI



FUTURMAT-ARIETE 08261307



## Level sensors

- 3341011 LEVEL PROBE  $\varnothing$  1/4"M-140 mm**  
for Coffee machine (FUTURMAT-ARIETE) ARIETE  
CUSTOM - E61 - F3 - PALANCA - RIMINI



FUTURMAT-ARIETE 0441/090816

## Lip seals

- 1186816 LIP SEAL  $\varnothing$  50x38x7.5 mm**  
for Coffee machine (FUTURMAT-ARIETE) PALANCA



FUTURMAT-ARIETE 00419903

- 1186277 LIP SEAL  $\varnothing$  52x37x7.5 mm**  
for Coffee machine (FUTURMAT-ARIETE) PALANCA



FUTURMAT-ARIETE 00101600

## Microswitches, mechanical

- 1803001 MICROSWITCH CROUZET EF83161.1**  
16A 250V



FUTURMAT-ARIETE 07421605

- 3240123 MICROSWITCH ROLD VRSRB1DA1**  
16A 250V



FUTURMAT-ARIETE 10975704

FUTURMAT-ARIETE 26000047

## Motors

- 1240702 MOTOR RPM WITH CLAMP CONNECTION 165W**  
model 11002728  
power supply 165W 230V 50/60Hz  
capacitor 10  $\mu$ f  
for rotary vane pump  
for Coffee machine (FUTURMAT-ARIETE) ARIETE - E61  
RIMINI



FUTURMAT-ARIETE 08174104



Suitable for:

# FUTURMAT-ARIETE



Suitable for:

## Non-return and expansion valves

**1523526 EXPANSION AND NON-RETURN VALVE**  
for Coffee machine (FUTURMAT-ARIETE) ARIETE  
CUSTOM - E61 - F3 - RIMINI



FUTURMAT-ARIETE 07843808

**1523527 EXPANSION AND NON-RETURN VALVE**



FUTURMAT-ARIETE

**1523701 NON-RETURN VALVE  $\varnothing$  3/8"M-3/8"M**  
for Coffee machine (FUTURMAT-ARIETE) PALANCA



FUTURMAT-ARIETE 08132600

**1523512 NON-RETURN VALVE  $\varnothing$  3/8"M-1/4"M**



FUTURMAT-ARIETE

## Nozzles for coffee groups

**1501565 GROUP SPRAY NOZZLE  $\varnothing$  21 mm M5x1**



FUTURMAT-ARIETE 02476109

**1501561 GROUP SPRAY NOZZLE  $\varnothing$  30 mm M10x1**  
for Coffee machine (FUTURMAT-ARIETE) ARIETE  
CUSTOM - F3 - RIMINI



FUTURMAT-ARIETE 02012904

## O-Ring and ORM gaskets

**3243009 O-RING GASKET 0106 EPDM**



FUTURMAT-ARIETE

**1186424 O-RING GASKET 02062 EPDM**



FUTURMAT-ARIETE 03060500

FUTURMAT-ARIETE 03060510

**1186231 O-RING GASKET 04106 EPDM**



FUTURMAT-ARIETE

**1186556 O-RING R6 EPDM**



FUTURMAT-ARIETE



# FUTURMAT-ARIETE



Suitable for:

Suitable for:

1186252 O-RING 0040-20 EPDM

1186422 O-RING 0108 EPDM



FUTURMAT-ARIETE 03070802

FUTURMAT-ARIETE 07851900

1186414 O-RING 0119 EPDM

1186163 O-RING 02010 EPDM



FUTURMAT-ARIETE

FUTURMAT-ARIETE

1186746 O-RING 02010 VITON

1186514 O-RING 02015 SILICON



FUTURMAT-ARIETE

FUTURMAT-ARIETE 0371/040103

1186903 O-RING 02021 - RED SILICON

1186611 O-RING 02025 RED SILICONE



FUTURMAT-ARIETE 01977909

FUTURMAT-ARIETE 08179103

1186612 O-RING 02025 VITON

1186631 O-RING 02112 VITON



FUTURMAT-ARIETE 02476703

FUTURMAT-ARIETE 03061009

FUTURMAT-ARIETE

1786202 O-RING 03037 VITON

1186236 O-RING 03043 VITON



FUTURMAT-ARIETE 09000313

FUTURMAT-ARIETE 08291007



# FUTURMAT-ARIETE



Suitable for:

1186472 O-RING 04075 EPDM



FUTURMAT-ARIETE 02019701

Suitable for:

1186238 O-RING 04081 EPDM



FUTURMAT-ARIETE

1186748 O-RING 04300 EPDM



FUTURMAT-ARIETE

3186340 OR GASKET 03037 EPDM



FUTURMAT-ARIETE 07763204

## Paper seals

1190001 PAPER SHIM  $\varnothing$  73x59x0.8 mm



FUTURMAT-ARIETE

1190002 RUBBER SHIM  $\varnothing$  73x59x1 mm EPDM



FUTURMAT-ARIETE

## Pins

1184551 CAM FOR COFFEE GROUP  
for Coffee machine (FUTURMAT-ARIETE) CUSTOM - E61



FUTURMAT-ARIETE 01769702

1324013 DELIVERY VALVE PIN



FUTURMAT-ARIETE 02102200

1324084 INJECTOR SUPPORT



FUTURMAT-ARIETE 08299100

1324085 INJECTOR SUPPORT  
for Coffee machine (FUTURMAT-ARIETE) RIMINI



FUTURMAT-ARIETE 08298900

Suitable for:

**1324015 PIN FOR INLET VALVE**  
for Coffee machine (FUTURMAT-ARIETE) RIMINI



FUTURMAT-ARIETE 07665508

Suitable for:

**1324052 SHORT PIN M8**  
for Coffee machine (FUTURMAT-ARIETE) RIMINI



FUTURMAT-ARIETE 07689219

**1324007 SQUARE PASS-THR. PIN 6.5 mm 6x6 mm M3**  
hole  $\varnothing$  3 mm



FUTURMAT-ARIETE 02326007

**1324001 SQUARE PIN 11.1 mm 6x6 mm M3**  
for Coffee machine (FUTURMAT-ARIETE) E61



FUTURMAT-ARIETE 02211100

**1324033 SQUARE PIN 12.1 mm 6x6 mm M3**



FUTURMAT-ARIETE 02211001

**1324006 SQUARE PIN 40 mm 5x5 mm M4**  
overall length 40 mm



FUTURMAT-ARIETE 02326106

**1349406 TAP PIN**  
for Coffee machine (FUTURMAT-ARIETE) RIMINI



FUTURMAT-ARIETE 07358609

**1324066 WATER/STEAM TAP PIN**  
for Coffee machine (FUTURMAT-ARIETE) RIMINI



FUTURMAT-ARIETE 11156502

FUTURMAT-ARIETE 11156530

## Pressure gauges

**1245561 BOILER PRESSURE GAUGE  $\varnothing$  52 mm 0÷2 bar**  
single scale 0÷2 bar - connection  $\varnothing$  1/4" M  
rectangular dial 56x79 mm



FUTURMAT-ARIETE

**1245562 BOILER-PUMP PRESSURE GAUGE  $\varnothing$  60 mm**  
double scale 0÷2.5/0÷16 bar - connections  $\varnothing$  1/8" M  
rim  $\varnothing$  65 mm - body  $\varnothing$  60 mm  
with spacing ring  
for Coffee machine (FUTURMAT-ARIETE) RIMINI



FUTURMAT-ARIETE 08130600

FUTURMAT-ARIETE 2781-091790



# FUTURMAT-ARIETE



Suitable for:

Suitable for:

**1245801 BOILER-PUMP PRESSURE GAUGE  $\varnothing$  63 mm**  
 double scale 0÷2.5/0÷16 bar - connections  $\varnothing$  1/8" M  
 rim  $\varnothing$  70 mm - body  $\varnothing$  63 mm  
 for Coffee machine (FUTURMAT-ARIETE) F3



FUTURMAT-ARIETE 08339500

## Pressure switches

**1320533 MEMBRANE KIT FOR PRESSURE SWITCH**  
 model P302-6  $\varnothing$  55 mm



FUTURMAT-ARIETE

**1320531 PRESSURE SWITCH P302/6 3-POLES 30A**  
 CE-SEV-ASE-UL approved  
 ISO 228 G connection 1/4" M for pipe  $\varnothing$  4x6 mm  
 adjustable scale 0.5÷1.4 bar  
 fixed differential 0.15 ( $\pm$  0.06) bar  
 fluid temperature max :140°C  
 max contact load : 220V 7KW (30A)  
 400V 12KW (30A)



FUTURMAT-ARIETE 07935703

## Rotary switches

**1319031 SELECTOR SWITCH 0-2 POSITIONS 16A 250V**  
 D-shaped shaft 6x4.6 mm  
 for Coffee machine (FUTURMAT-ARIETE) ARIETE  
 CUSTOM - F3 - PALANCA - RIMINI



FUTURMAT-ARIETE 07847908

## Rubberpieces for steam-water taps

**1187501 BURN PREVENTING PIPE HANDGRIP  $\varnothing$  8 mm**



FUTURMAT-ARIETE

**1186180 BURN PREVENTING RUBBERPIECE  $\varnothing$  10 mm**



FUTURMAT-ARIETE 08339100

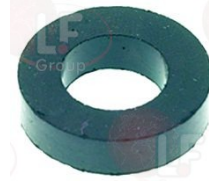
## Seals for level glasses

**1186242 FLAT CARBO GASKET  $\varnothing$  62x55x1 mm**  
universal carbo  
for level glass



FUTURMAT-ARIETE

**1186227 FLAT EPDM GASKET  $\varnothing$  21x11.5x5 mm**  
for level glass



FUTURMAT-ARIETE

## Shower screens for brew group

**1081601 PRECISION SHOWER NANOTEC  $\varnothing$  60 mm**  
non-stick NANOQUARTZ coating  
increases the resistance to corrosion  
and to chemical reaction  
98 holes  $\varnothing$  3 mm  
steel Aisi 304 - foodsafe certified  
integrated membrane 200  $\mu$ m  
for E61 GROUPS



FUTURMAT-ARIETE LF-1081401

FUTURMAT-ARIETE

**1460201 PRECISION SHOWER SCREEN  $\varnothing$  60 mm**  
98 holes  $\varnothing$  3 mm  
Aisi 304 stainless steel - food-safe certified  
integrated membrane 200  $\mu$ m  
for GROUPS E61



FUTURMAT-ARIETE

**1460206 PRECISION SHOWER SCREEN  $\varnothing$  60 mm**  
120 holes  $\varnothing$  2.5 mm  
Aisi 304 stainless steel - food-safe certified  
wire membrane 35  $\mu$ m  
for GROUPS E61



FUTURMAT-ARIETE

**1081516 SHOWER  $\varnothing$  60 mm**  
for Coffee machine (FUTURMAT-ARIETE) CUSTOM - E61  
F3 - RIMINI



FUTURMAT-ARIETE

**1081250 SHOWER SCREEN  $\varnothing$  57 mm**  
for Coffee machine (FUTURMAT-ARIETE) PALANCA



FUTURMAT-ARIETE 01602002

**1081016 SHOWER SCREEN  $\varnothing$  60 mm**  
for Coffee machine (FUTURMAT-ARIETE) CUSTOM - E61  
F3 - RIMINI



FUTURMAT-ARIETE 02610004



# FUTURMAT-ARIETE



Suitable for:

**1081116 SHOWER SCREEN  $\varnothing$  60 mm**  
for Coffee machine (FUTURMAT-ARIETE) CUSTOM - E61  
F3 - RIMINI



FUTURMAT-ARIETE

Suitable for:

**1081216 SHOWER SCREEN  $\varnothing$  60 mm**  
for Coffee machine (FUTURMAT-ARIETE) CUSTOM - E61  
F3 - RIMINI



FUTURMAT-ARIETE

## Solenoid valves

**5037619 COIL PARKER YB09 115V 9W 50/60Hz**  
length 34 mm - height 32 mm  
depth 42 mm



FUTURMAT-ARIETE 08124300

**1120361 COIL PARKER YB09 220/230V 9W 50/60Hz**  
width 34 mm - height 32 mm  
length 42 mm



FUTURMAT-ARIETE 01181008

**1120153 2-WAY SOLENOID VALVE PARKER 110V 50/60Hz**  
VE146YV - fittings  $\varnothing$  1/4"FF - max 10 bar  
VITON seal - orifice  $\varnothing$  3 mm  
with coil ZB09 9W 110/120V 50/60Hz  
fluid temperature -10°C+140°C



FUTURMAT-ARIETE 0611/060213

**1120155 2-WAY SOLENOID VALVE PARKER 110V 50/60Hz**  
VE146FV - connections  $\varnothing$  1/8"FF - max 12 bar  
VITON seal - orifice  $\varnothing$  2.5 mm  
with coil ZB09 9W 110/120V 50/60Hz  
fluid temperature -30°C+140°C



FUTURMAT-ARIETE 08368510

**1120354 2-WAY SOLENOID VALVE PARKER 230V 50/60Hz**  
VE146NV - fittings  $\varnothing$  1/4"FF - max 10 bar  
VITON sealing - orifice  $\varnothing$  2.5 mm  
with coil ZB09 9W 220/230V 50/60Hz  
fluid temperature -10°C +140°C



FUTURMAT-ARIETE 0611/060113

**1120700 2-WAY SOLENOID VALVE PARKER 230V 50/60Hz**  
VE146FV - fitting  $\varnothing$  1/8"FF - max 10 bar  
VITON seal - orifice  $\varnothing$  2.5 mm  
with coil ZB09 9W 220/230V 50/60Hz  
fluid temperature -10°C+140°C



FUTURMAT-ARIETE 08368500





Suitable for:

**1120308 2-WAY SOLENOID VALVE SIRAI 230V 50Hz**  
 L120V02 - connections  $\varnothing$  1/8"FF - max 20 bar  
 VITON seal - orifice  $\varnothing$  2.3 mm  
 coil ZA30A 9W 230V 50Hz 14VA



FUTURMAT-ARIETE 07467400

Suitable for:

**1120339 3-WAY MECHANICAL COMPONENT PARKER**  
 VE128IR - drain  $\varnothing$  1/8" conical - max 10 bar  
 RUBY seal - orifice  $\varnothing$  1.3 mm  
 fluid temperature  $-30^{\circ}\text{C}+140^{\circ}\text{C}$



FUTURMAT-ARIETE

**1120476 3-WAY SOLENOID VALVE PARKER 230V 50/60Hz**  
 VE1282IR - drain  $\varnothing$  1/8" conical - max 10 bar  
 RUBY seal - orifice  $\varnothing$  1.3 mm  
 with coil YB09 9W 220/230V 50/60Hz  
 fluid temperature  $-30^{\circ}\text{C}+140^{\circ}\text{C}$   
 with lever for manual usage



FUTURMAT-ARIETE 07976608

**1120361 COIL PARKER YB09 220/230V 9W 50/60Hz**  
 width 34 mm - height 32 mm  
 length 42 mm



FUTURMAT-ARIETE 01181008

## Spouts for coffee

**1022522 ADJUSTABLE LONG DOUBLE SPOUT  $\varnothing$  3/8"**



FUTURMAT-ARIETE

**1022523 ADJUSTABLE SHORT DOUBLE SPOUT  $\varnothing$  3/8"**



FUTURMAT-ARIETE

**1022504 CLOSED SINGLE SPOUT  $\varnothing$  3/8"**



FUTURMAT-ARIETE

**1022502 DOUBLE SPOUT  $\varnothing$  3/8"**



FUTURMAT-ARIETE 01166404

**1022521 LONG DOUBLE SPOUT  $\varnothing$  3/8"**



FUTURMAT-ARIETE

**1022501 SINGLE SPOUT  $\varnothing$  3/8"**



FUTURMAT-ARIETE 08128200



# FUTURMAT-ARIETE



Suitable for:

Suitable for:

1022503 STRAIGHT SINGLE SPOUT  $\varnothing$  3/8"

1022551 TRIPLE SPOUT  $\varnothing$  3/8"



FUTURMAT-ARIETE 00200303

FUTURMAT-ARIETE

5031337 1-CUP STRAIGHT SHORT SPOUT  $\varnothing$  3/8"



FUTURMAT-ARIETE

## Springs

1250510 HANDLE SPRING  $\varnothing$  29x30 mm  
for Coffee machine (FUTURMAT-ARIETE) ARIETE - F3  
RIMINI

1250179 HANDLE SPRING  $\varnothing$  34x34 mm  
for Coffee machine (FUTURMAT-ARIETE) CUSTOM - E61  
PALANCA



FUTURMAT-ARIETE 08018707

FUTURMAT-ARIETE 10907509

1250402 JET SPRING  $\varnothing$  7x28 mm  
for Coffee machine (FUTURMAT-ARIETE) RIMINI

1250511 JET SPRING  $\varnothing$  8x20 mm  
for Coffee machine (FUTURMAT-ARIETE) ARIETE  
CUSTOM - E61



FUTURMAT-ARIETE 07507304

FUTURMAT-ARIETE 02446409

1250160 PIN SPRING  $\varnothing$  14x23 mm  
for Coffee machine (FUTURMAT-ARIETE) PALANCA

1250549 SPRING  $\varnothing$  11x25 mm  
for Coffee machine (FUTURMAT-ARIETE) ARIETE  
CUSTOM - E61 - F3 - PALANCA - RIMINI



FUTURMAT-ARIETE 02250801

FUTURMAT-ARIETE 08165300



Suitable for:

**1250548 SPRING  $\varnothing$  11x58 mm INFUSION**  
for delivery group



FUTURMAT-ARIETE 00884809

Suitable for:

**1250536 SPRING  $\varnothing$  13x42 mm**  
for Coffee machine (FUTURMAT-ARIETE) ARIETE  
CUSTOM - E61



FUTURMAT-ARIETE 02318400

FUTURMAT-ARIETE 10542504

**1250515 SPRING  $\varnothing$  14x33 mm**  
for Coffee machine (FUTURMAT-ARIETE) ARIETE  
CUSTOM - E61



FUTURMAT-ARIETE 01784909

**1250537 SPRING  $\varnothing$  14x45 mm**  
for Coffee machine (FUTURMAT-ARIETE) ARIETE  
CUSTOM - E61



FUTURMAT-ARIETE 02054609

**1250517 SPRING  $\varnothing$  15.5x29 mm**  
for Coffee machine (FUTURMAT-ARIETE) ARIETE  
CUSTOM - E61 - F3 - RIMINI



FUTURMAT-ARIETE 00109108

**1250516 SPRING  $\varnothing$  15x28 mm**  
for Coffee machine (FUTURMAT-ARIETE) ARIETE  
CUSTOM - E61



FUTURMAT-ARIETE 01854306

**1250112 SPRING  $\varnothing$  8x20 mm FOR BREW GROUP**  
for Coffee machine (FUTURMAT-ARIETE) PALANCA



FUTURMAT-ARIETE 02122703

**1250202 SPRING  $\varnothing$  8x30 mm**  
for Coffee machine (FUTURMAT-ARIETE) ARIETE  
CUSTOM - F3 - PALANCA - RIMINI



FUTURMAT-ARIETE 01720606

**1250407 SPRING FOR LEVER GROUP**  
 $\varnothing$  external 46 mm - height 170 mm  
for Coffee machine (FUTURMAT-ARIETE) PALANCA



FUTURMAT-ARIETE 02241206

**1250415 TAP SPRING  $\varnothing$  10x32 mm**  
for Coffee machine (FUTURMAT-ARIETE) ARIETE  
CUSTOM - E61 - F3 - PALANCA



FUTURMAT-ARIETE 08389900

FUTURMAT-ARIETE 10391803



Suitable for:

# FUTURMAT-ARIETE



Suitable for:

## Steam taps and spares for coffee mach.

**1348476 NUT FOR WATER/STEAM PIPE**  
for Coffee machine (FUTURMAT-ARIETE) ARIETE - E61  
F3 - RIMINI



FUTURMAT-ARIETE 08165110

FUTURMAT-ARIETE 08165125

**1186244 SPRING BUSHING**  
for Coffee machine (FUTURMAT-ARIETE) ARIETE  
CUSTOM - E61 - PALANCA - RIMINI



FUTURMAT-ARIETE 03001500

**1348472 STEAM TAP ASSEMBLY**  
for Coffee machine (FUTURMAT-ARIETE) ARIETE  
RIMINI



FUTURMAT-ARIETE 08165904

**1348473 WATER TAP ASSEMBLY**  
for Coffee machine (FUTURMAT-ARIETE) ARIETE  
RIMINI



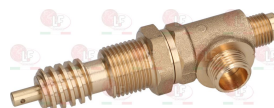
FUTURMAT-ARIETE 08205908

**1349409 WATER/STEAM PIPE COUPLING**  
for Coffee machine (FUTURMAT-ARIETE) CUSTOM - E61  
PALANCA



FUTURMAT-ARIETE 08216102

**1348477 WATER/STEAM TAP**  
for Coffee machine (FUTURMAT-ARIETE) ARIETE  
CUSTOM - E61 - PALANCA - RIMINI



FUTURMAT-ARIETE 08204802

FUTURMAT-ARIETE 08217804

## Steam-water pipes coffee machines

**1449854 FITTING FOR WATER PIPE**



FUTURMAT-ARIETE 08206013

**1449336 STEAM NOZZLE**



FUTURMAT-ARIETE 08207400

FUTURMAT-ARIETE 08207409

**1449845 STEAM PIPE COMPLETE**



FUTURMAT-ARIETE 07428709

**1449853 STEAM PIPE COMPLETE**  
for Coffee machine (FUTURMAT-ARIETE) RIMINI



FUTURMAT-ARIETE 08165722

Suitable for:

Suitable for:

**1449855 WATER PIPE NOZZLE M10 ø 18 mm**  
total height 47 mm



FUTURMAT-ARIETE 08207506

FUTURMAT-ARIETE 09000325

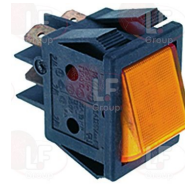
## Switches

**3319934 BIPOLAR SWITCH ORANGE 16A 250V**  
16(4)A 250V - max. temperature 120°C  
with indicator lamp - silk screen printing 0 - I  
mounting hole 22x30 mm



FUTURMAT-ARIETE 07967020

**3319035 ORANGE BIPOLAR SWITCH 16A 250V**  
16(4)A 250V - with indicator lamp  
max temperature 120°C  
mounting hole 22x30 mm  
for Coffee machine (FUTURMAT-ARIETE) ARIETE RIMINI



FUTURMAT-ARIETE 07967000

FUTURMAT-ARIETE 07967010

**1319064 PUSH-BUTTON PANEL MEMBRANE 6 BUTTONS**  
for Coffee machine (FUTURMAT-ARIETE) RIMINI



FUTURMAT-ARIETE 08274201

**1319069 PUSH-BUTTON PANEL MEMBRANE 6 BUTTONS**  
for Coffee machine (FUTURMAT-ARIETE) RIMINI



FUTURMAT-ARIETE 08274409

**1319078 PUSH-BUTTON PANEL 1 BUTTON**  
for Coffee machine (FUTURMAT-ARIETE) F3



FUTURMAT-ARIETE 08337000

**1319079 PUSH-BUTTON PANEL 1 BUTTON**  
for Coffee machine (FUTURMAT-ARIETE) F3



FUTURMAT-ARIETE 08331900

**1319077 PUSH-BUTTON PANEL 2 BUTTONS**  
for Coffee machine (FUTURMAT-ARIETE) F3



FUTURMAT-ARIETE 08336900

**1319061 PUSH-BUTTON PANEL 5 BUTTONS**  
for Coffee machine (FUTURMAT-ARIETE) ARIETE



FUTURMAT-ARIETE 08109400



# FUTURMAT-ARIETE



Suitable for:

**1319065 PUSH-BUTTON PANEL 5 BUTTONS**  
for Coffee machine (FUTURMAT-ARIETE) RIMINI



FUTURMAT-ARIETE 08272205

Suitable for:

**1319076 PUSH-BUTTON PANEL 5 BUTTONS**  
for Coffee machine (FUTURMAT-ARIETE) F3



FUTURMAT-ARIETE 08330700

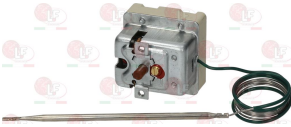
**1319638 PUSH-BUTTON PANEL 5 BUTTONS**  
for Coffee machine (FUTURMAT-ARIETE) RIMINI



FUTURMAT-ARIETE 08427600

## Thermostats

**1444509 THREE-PHASE THERMOSTAT 169°C**  
with manual reset  
covered capillary 900 mm  
bulb  $\varnothing$  4x128 mm  
for Coffee machine (FUTURMAT-ARIETE) CUSTOM - E61  
F3 - PALANCA - RIMINI



FUTURMAT-ARIETE 0746906

FUTURMAT-ARIETE 07476906

## Tools

**1505002 EXTRACTOR FOR FILTER S.STEEL WITH HOLE**



FUTURMAT-ARIETE

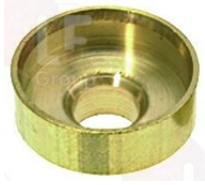
**3394906 TELESCOPIC KIT  $\varnothing$  30x165 mm**  
extension overall length 485 mm



FUTURMAT-ARIETE

## Water filling taps

**1186131 GASKET HOLDER FOR TAP**  
external  $\varnothing$  17/8,6 mm - internal  $\varnothing$  6 mm  
height 9.2/5.6 mm  
for inlet water tap



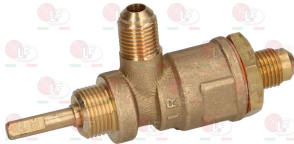
FUTURMAT-ARIETE 01853803

**1523503 INLET VALVE**  
for water inlet tap



FUTURMAT-ARIETE 07665409

**1348306 WATER INLET TAP**  
for Coffee machine (FUTURMAT-ARIETE) E61 - PALANCA RIMINI



FUTURMAT-ARIETE 07466006

FUTURMAT-ARIETE 07467905

## Water softeners and accessories

**3010001 MANUAL WATER SOFTENER 8 L  $\varnothing$  3/8"**  
for water treatment for TECHNICAL purposes  
STAINLESS STEEL cylinder capacity 8 L  
connection 3/8"  
dimensions: height 400 mm -  $\varnothing$  185 mm  
resin content 5.8 L  
regeneration salt(NaCl-table salt)1 Kg



FUTURMAT-ARIETE

**3010161 MANUAL WATER SOFTENER 8 L  $\varnothing$  3/8"**  
for water treatment for TECHNICAL purposes  
plasma welding  
STAINLESS STEEL cylinder capacity 8 L  
connection 3/8"  
dimensions: height 400 mm -  $\varnothing$  185 mm  
resin content 5.8 L  
regeneration salt(NaCl-table salt)1 Kg  
inlet water maximum temperature 60°C



FUTURMAT-ARIETE

**3010112 RESIN 5 L**  
5 litre bag



FUTURMAT-ARIETE

**3010299 SALE PER ADDOLCITORE IN PASTIGLIE 10 Kg**  
PER IMPIANTI DI ADDOLCIMENTO ACQUA



FUTURMAT-ARIETE



# FUTURMAT-ARIETE



Suitable for:

Suitable for:

**3010300 SALT FOR WATER SOFTNER IN TABLETS 25 Kg**  
FOR WATER SOFTENING SYSTEMS



FUTURMAT-ARIETE



The data herewith contained may change without notice and LF SpA cannot be held responsible for possible errors stated or resulting by the use of this document. All rights reserved. No part of this publication may be reproduced without written permission by LF SpA.



## Distributing Components, Spare Parts & Accessories in original quality worldwide

- 
- LF SpA HEADQUARTERS**  
via Voltri, 80 - 47522 Cesena (FC) ITALY  
Tel. +39 0547 34 11 11 - Fax +39 0547 34 11 10  
[www.lfricambi724.it](http://www.lfricambi724.it) - [info@lfricambi.it](mailto:info@lfricambi.it)  
Export Dept. Tel. +39 0547 34 11 50 - Fax +39 0547 34 11 55  
[www.lfspareparts724.com](http://www.lfspareparts724.com) - [export@lfspareparts.com](mailto:export@lfspareparts.com)
- LF SpA HOUSEHOLD COMPONENTS DIVISION**  
Via Padriciano, 99 - AREA Science Park - 34149 Trieste (TS) ITALY  
Tel. +39 0547 34 12 42 - Fax +39 0547 34 12 48  
[www.lfspareparts724.com](http://www.lfspareparts724.com) - [info@lfspareparts.com](mailto:info@lfspareparts.com)
- EPGC Sas FRANCE**  
13, Rue des Forts - 59960 Neuville en Ferrain  
Tel. +33 (0)3 20 25 06 21 - Fax +33 (0)3 20 25 34 12  
[www.epgc.com](http://www.epgc.com) - [epgc@epgc.com](mailto:epgc@epgc.com)
- LF GmbH GERMANY**  
Junkersstrasse, 3 - D-82178 Puchheim - München  
Tel. +49 89 89 45 78 66 - Fax +49 89 89 45 78 88  
[www.lfersatzteile724.de](http://www.lfersatzteile724.de) - [info@lfersatzteile.de](mailto:info@lfersatzteile.de)
- LF China REPUBLIC OF CHINA**  
Room 403, No.2, Huadu Mansion, Lane 422, Huanghua Rd.  
Minhang Dist. - 201103 Shanghai  
Tel. +86 (0)21 33 53 66 31 - Fax +86 (0)21 33 53 66 32  
[www.lfspareparts724.com](http://www.lfspareparts724.com) - [china@lfspareparts.com](mailto:china@lfspareparts.com)
- OOO LF RUSSIAN FEDERATION**  
Ul. Anatoliya Zhivova, 8 - office 1 - 123100 Moscow  
Tel./Fax +7 495 725 26 53  
[www.lfspareparts724.ru](http://www.lfspareparts724.ru) - [info@lfspareparts.ru](mailto:info@lfspareparts.ru)
- LF Repuestos Horeca S.L.U. SPAIN**  
Poligono Industrial Carpetania - C/Miguel Faraday, 8 - 28906 Getafe  
Tel. +34 91 477 91 00 - Fax +34 91 477 90 81  
[www.lfrepuestos-horeca724.es](http://www.lfrepuestos-horeca724.es) - [info@lfrepuestos.es](mailto:info@lfrepuestos.es)
- LF Scandinavia Aps - LF Spareparts S.p.A. DENMARK**  
Nupark, 51 - 7500 Holstebro  
Tel. +45 70 70 77 33  
[www.lfspareparts724.dk](http://www.lfspareparts724.dk) - [denmark@lfspareparts.dk](mailto:denmark@lfspareparts.dk)
- LF SpA Cesena (IT) Swiss Branch Steinhausen SWITZERLAND**  
Sennweidstrasse, 45 - CH-6312 Steinhausen  
Tel. +41 (0)41 760 15 80/1 - Fax +41 (0)41 760 15 85  
[www.lfersatzteile724.ch](http://www.lfersatzteile724.ch) - [info@lfersatzteile.ch](mailto:info@lfersatzteile.ch)
- LF Spare Parts Ltd. UNITED KINGDOM**  
A10a Lakeside Business Park, Broadway Lane  
South Cerney, Gloucestershire GL7 5XL  
Tel. +44 (0)1285 86 16 25 - Fax +44 (0)1285 86 39 49  
[www.lfspareparts724.co.uk](http://www.lfspareparts724.co.uk) - [info@lfspareparts.co.uk](mailto:info@lfspareparts.co.uk)
- LF Central Est Europe S.r.o. CZECH REPUBLIC**  
Antala Staska 1859/34  
14000 Praha 4 - KRC  
Tel. +420 730 156 910  
[www.lfspareparts724.cz](http://www.lfspareparts724.cz) - [info@lfspareparts.cz](mailto:info@lfspareparts.cz)
- LF SPARE PARTS INC. USA**  
Legal address:  
155 Office Plaza Dr - Suite A - Tallahassee, FL 32301  
Business/Mailing address:  
1100 South Tower, 225 Peachtree St., N.E. - Atlanta, GA 30303, USA  
Tel. +1-404-525-2600 - Fax +1-404-586-3528  
[www.lfspareparts724.us](http://www.lfspareparts724.us) - [info@lfspareparts.us](mailto:info@lfspareparts.us)  
Tel. West Coast and Midwest: 206-349-1525 Sauro  
Tel. East Coast and the Caribbean: 786-817-1764 Luis
- 
- AUSTRALIA AND NEW ZEALAND**  
[www.lfspareparts724.com](http://www.lfspareparts724.com)  
[andrea.calvio@lfspareparts.com](mailto:andrea.calvio@lfspareparts.com)
- AUSTRIA**  
[www.lfersatzteile724.at](http://www.lfersatzteile724.at)  
[info@lfersatzteile.at](mailto:info@lfersatzteile.at)
- BALKAN COUNTRIES**  
[www.lfspareparts724.com](http://www.lfspareparts724.com)  
[matija.ramov@lfspareparts.com](mailto:matija.ramov@lfspareparts.com)
- BALTIC COUNTRIES**  
[www.lfspareparts724.com](http://www.lfspareparts724.com)  
[inara.silina@lfspareparts.com](mailto:inara.silina@lfspareparts.com)
- LATIN AMERICA AND THE CARRIBEANS**  
[www.lfrepuestos-horeca724.es](http://www.lfrepuestos-horeca724.es)  
[export@lfrepuestos.es](mailto:export@lfrepuestos.es)
- POLAND**  
[www.lfspareparts724.pl](http://www.lfspareparts724.pl)  
[info@lfspareparts.pl](mailto:info@lfspareparts.pl)
- SOUTH KOREA**  
[www.lfspareparts724.com](http://www.lfspareparts724.com)  
[fabio.doni@lfspareparts.com](mailto:fabio.doni@lfspareparts.com)
- TURKEY**  
[www.lfyedekparca724.com](http://www.lfyedekparca724.com)  
[export@lfspareparts.com](mailto:export@lfspareparts.com)