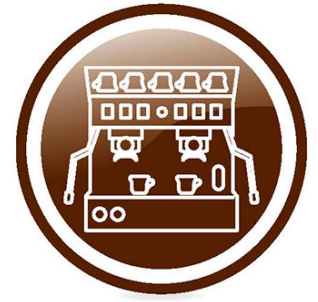




# Spare parts for the professional sector: Espresso coffee machines



Suitable for:

# ELEKTRA



This catalogue is automatically generated.  
Therefore, the sequence of the items might  
not be always shown at best.  
Updates will be issued in case of additions  
and/or amendments.

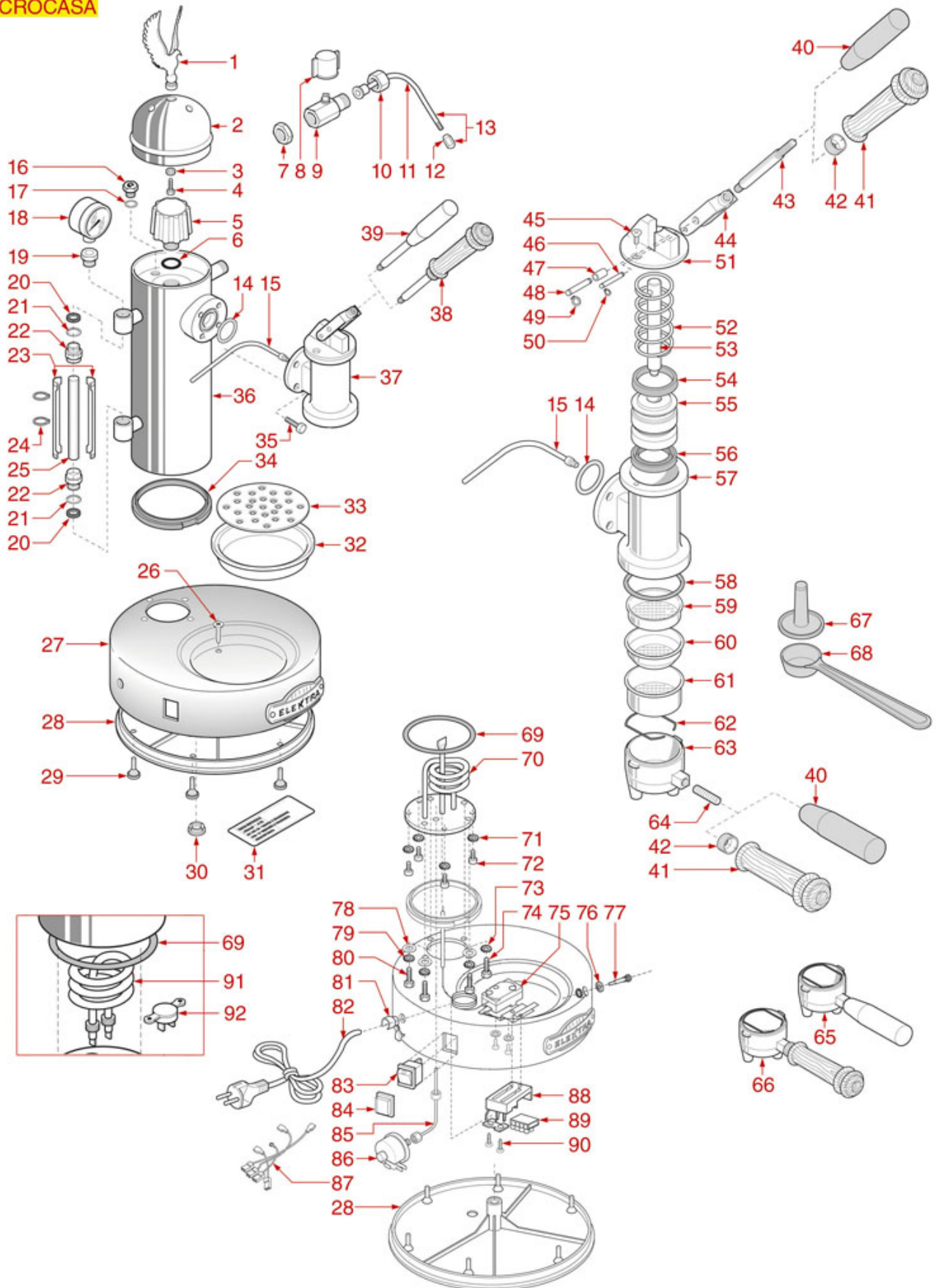
*Suitable universal spare parts may not be included*





## COFFEE MACHINE MOD. MICROCASA

**MICROCASA**



EK0101

Positions without LF code no.: upon request



# ELEKTRA

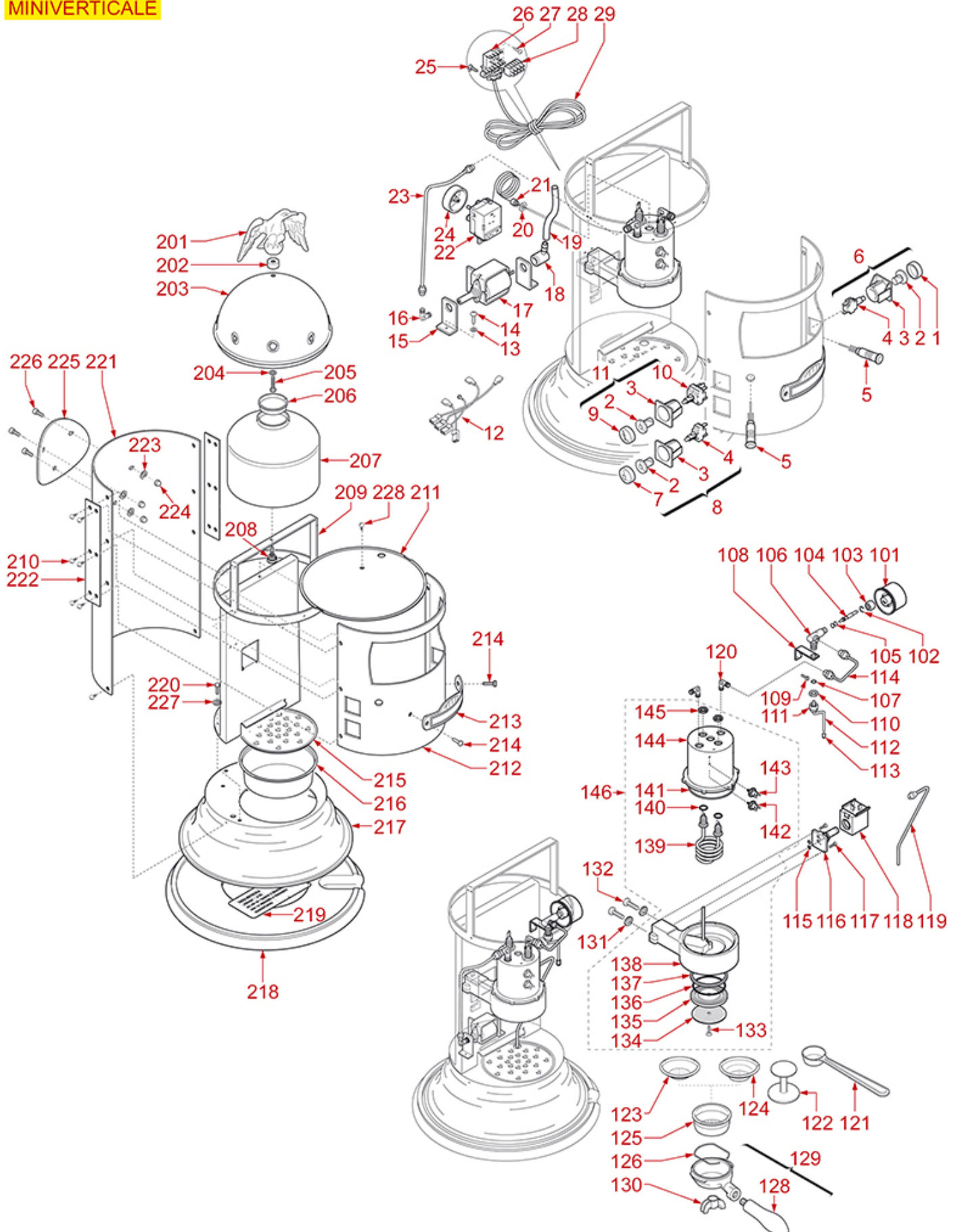


Position	LF code no.	Description
5	5036835	BOILER VALVE $\varnothing$ 3/8"M
6	1186714	O-RING 0119 VITON
8	1241009	KNOB FOR STEAM TAP
9	1348031	STEAM TAP CASING CHROME PLATED
11	1449030	CHROME PLATED STEAM PIPE COMPLETE
12	5023967	STEAM NOZZLE 3 HOLES M6
13	1449030	CHROME PLATED STEAM PIPE COMPLETE
14	1186930	O-RING 03125 GREEN VITON
16	1523534	EXHAUST VALVE $\varnothing$ 1/4"M
16	1523537	EXHAUST VALVE $\varnothing$ 1/4"M
17	1186769	ROUND COPPER GASKET $\varnothing$ 18.7x13x2.5 mm
18	1245005	BOILER PRESSURE GAUGE $\varnothing$ 42 mm 0+3 bar
18	1245008	BOILER PRESSURE GAUGE $\varnothing$ 42 mm 0+3 bar
20	1186375	FLAT SILICONE GASKET $\varnothing$ 15x9x8 mm
21	1186380	BRASS WASHER $\varnothing$ 14.8x9.5x1 mm FLAT
24	3528021	STAINLESS STEEL CIRCLIP E-17
25	1520005	LEVEL GLASS $\varnothing$ 9x147 mm
38	1241018	LEVER GROUP COMPLETE HANDLE M10
39	1241019	LEVER GROUP COMPLETE HANDLE M10
40	1241021	FILTER HOLDER HANDLE BAKELITE M10
41	1241017	FILTER HOLDER HANDLE OF WOOD
42	1241022	RING NUT FOR FILTER HOLDER HANDLE $\varnothing$ 20mm
52	1250017	LEVER GROUP SPRING
54	1186386	LIP SEAL $\varnothing$ 41x28x6.5 mm
56	1186379	LIP SEAL $\varnothing$ 41x28x6 mm
58	1486019	FILTERHOLDER GASKET $\varnothing$ 57.7x47x5.3 mm
59	1081013	SHOWER $\varnothing$ 52 mm
60	1160009	FILTER 1 CUP $\varnothing$ 58x22 mm
61	1160010	FILTER 2-CUP $\varnothing$ 58x24,5 mm
62	1250018	S/STEEL FILTER LOCKING SPRING $\varnothing$ 1.10 mm
63	1165007	FILTER HOLDER COMPLETE ELEKTRA
64	1165008	STUD FOR FILTER HOLDER HANDLE M10/M8
66	1165007	FILTER HOLDER COMPLETE ELEKTRA
68	1069001	PLASTIC MEASURING SPOON 20 ml
69	1186367	O-RING 0170 RED SILICONE
70	1755015	HEATING ELEMENT 800W 230V
72	1184012	CYLINDER HEAD SCREW M5x10
74	1528511	HEXAGON HEAD SCREW M5x25
75	1444002	SINGLE-PHASE THERMOSTAT 177°C
77	1221121	INDICATOR LIGHT RED 220V
83	3319294	BLACK BIPOLAR SWITCH 16A 250V
84	3319501	PUSH-BUTTON PROTECTION CAP
86	1320545	PRESSURE SWITCH XP110 125 0.5-1.2 BAR 1/
91	1755014	HEATING ELEMENT 800W 230V
92	1444001	CONTACT THERMOSTAT 140°C 16A 250V



COFFEE MACHINE MOD. MINIVERTICALE

MINIVERTICALE



Positions without LF code no.: upon request



# ELEKTRA

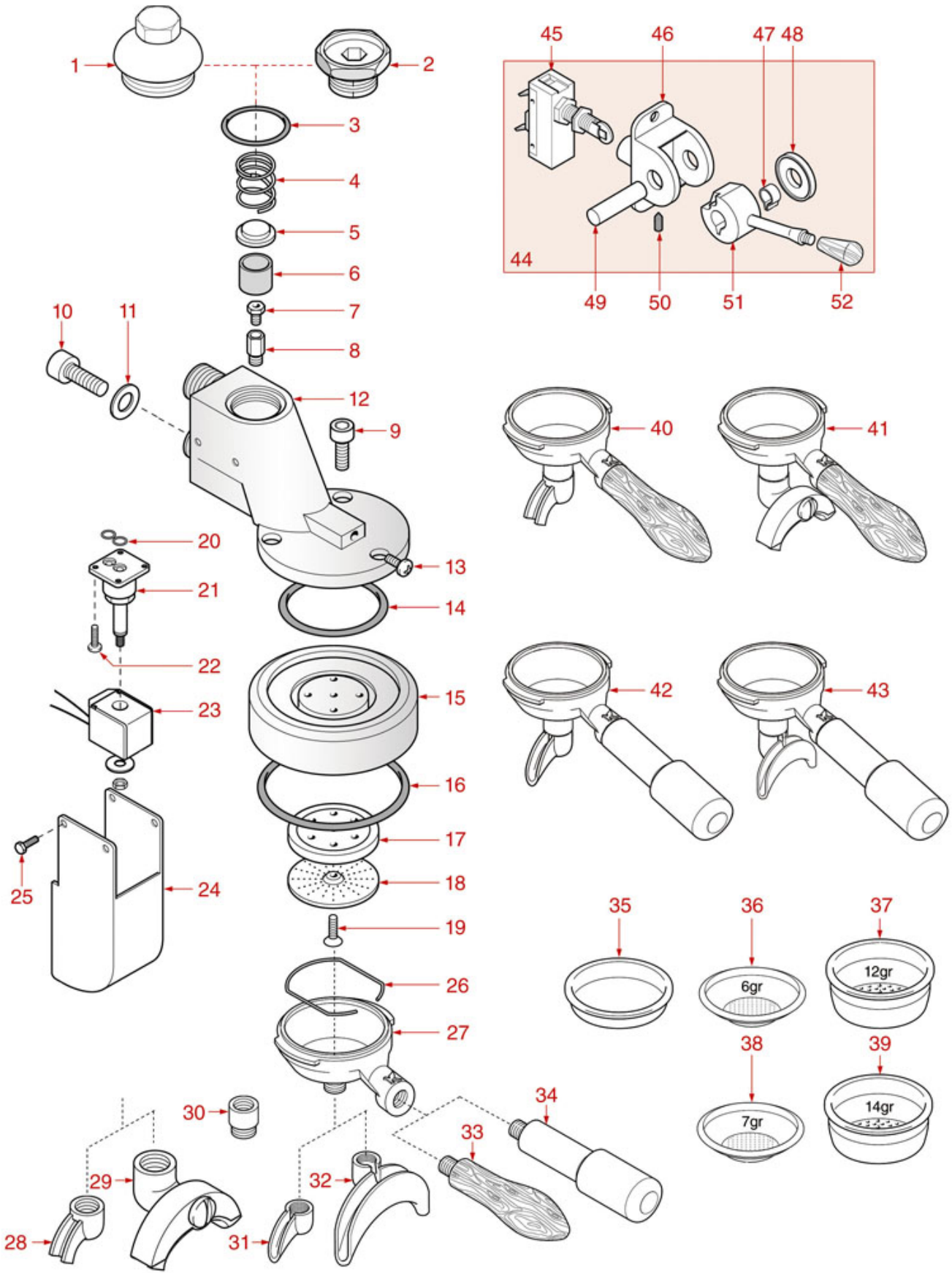


Position	LF code no.	Description
5	1221121	INDICATOR LIGHT RED 220V
10	3319920	BIPOLAR SWITCH BLACK 16A 250V
15	1331023	SQUARE VIBRATION DAMPER EX-EP-EK-EA
17	1122601	VIBRATORY PUMP EX5 41W 120V 60Hz
17	1122735	VIBRATORY PUMP EX5 48W 230V 50Hz
18	1349651	PIPETTE FITTING 90° EX EP
22	3444005	THERMOSTAT SINGLE-PHASE TR2 0-120°C
101	5048752	KNOB FOR STEAM TAP
105	1186421	O-RING 02018 EPDM
115	1186611	O-RING 02025 RED SILICONE
118	3120032	COIL PARKER ZB09 9W 220/240V 50/60Hz
121	1069001	PLASTIC MEASURING SPOON 20 ml
123	1160251	1 CUP FILTER 6 g ø 70x20.5 mm
124	1160335	1 CUP FILTER 7 g ø 70x24,5 mm
125	1160337	FILTER 2-CUP 14 g ø 70x24,5 mm
126	1250101	FILTER LOCKING SPRING ø 1,00 mm INOX
128	1241133	FILTER HOLDER HANDLE M12
130	1022524	DOUBLE SPOUT ø 3/8"
131	1528008	WASHER FLAT M8
134	1081002	SHOWER SCREEN ø 51.5 mm
135	5048739	DIFFUSER SHOWER HOLDER
136	3160044	O-RING 03187 EPDM
137	1186063	FILTER HOLDER GASKET ø 64x55x5 mm
139	1755340	HEATING ELEMENT 1200W 220V
139	1755638	HEATING ELEMENT 1200W 110V
140	1186458	RED SILICONE RING 03050
141	1186405	O-RING 03281 RED SILICONE
142	3443081	CONTACT THERMOSTAT 125°C M4
143	1443002	CONTACT THERMOSTAT 165°C M4



BREW GROUP MODERN-CLASSIC-KAPPA

MODERN-SIXTIES-CLASSIC-KAPPA



EK0501

Positions without LF code no.: upon request



# ELEKTRA

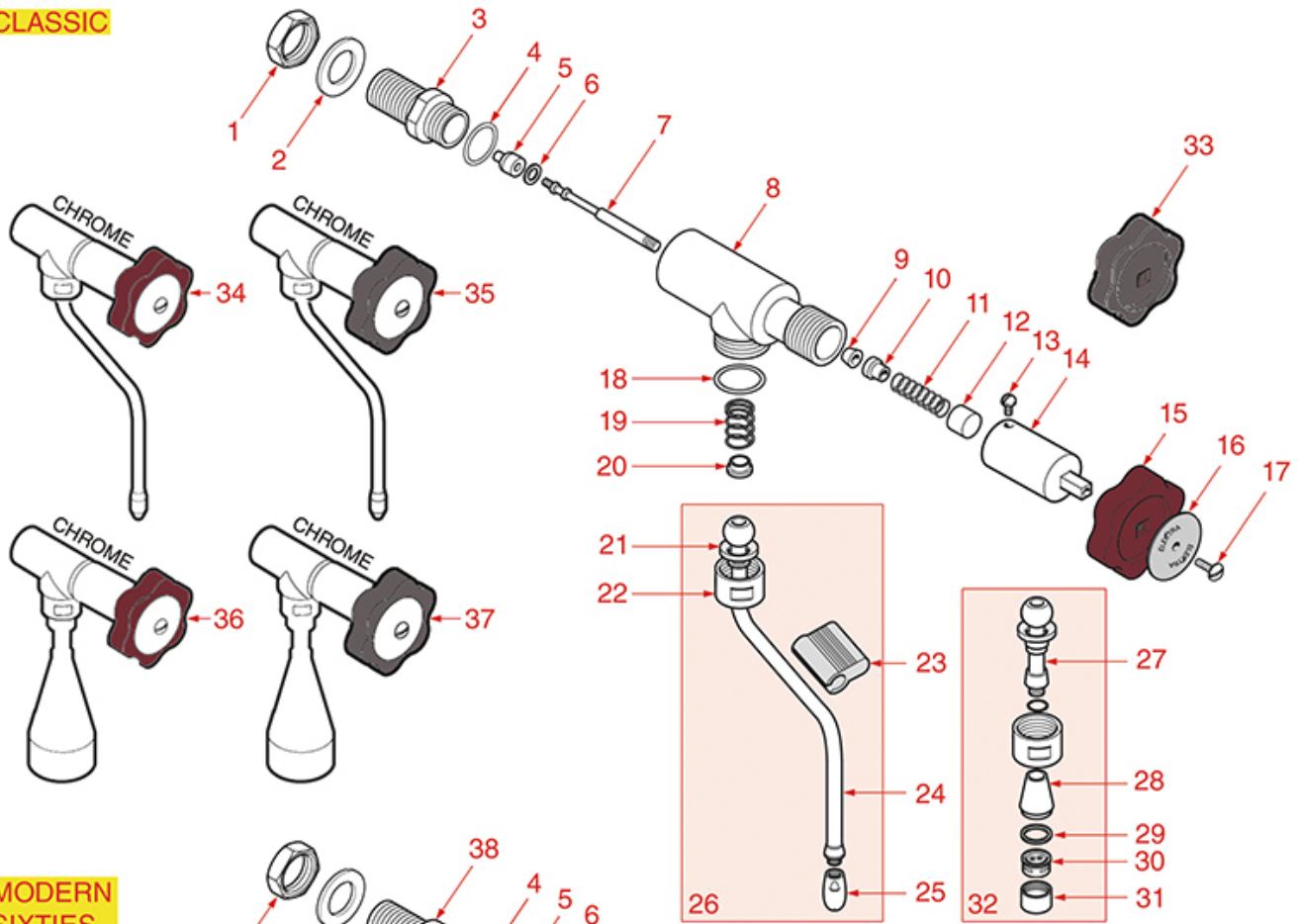


Position	LF code no.	Description
1	1439029	CAP ø 30 mm FOR BREW GROUP
2	1439030	CAP FOR BREW GROUP
3	1186930	O-RING 03125 GREEN VITON
4	1250050	FILTER LOCKING SPRING ø 20x19 mm
5	1160020	BUSHING FOR FILTER
6	1160021	WATER FILTER ø 18x20 mm
7	1500200	NOZZLE M5x1 HOLE ø 0,9 mm
8	1500201	JET HOLDER FOR JET M5
9	1184012	CYLINDER HEAD SCREW M5x10
11	1528008	WASHER FLAT M8
14	1186931	O-RING 0152 GREEN VITON
15	1086530	FILTER HOLDER COUPLING
16	1186943	FILTER HOLDER GASKET ø 65x54x5.7 mm
17	1086002	SHOWER HOLDER DIFFUSER
18	1081006	SHOWER SCREEN ø 51.5 mm
18	1081007	SHOWER SCREEN ø 51.5 mm
19	1528023	COUNTERSUNK FLAT HEAD SCREWS M5x16
20	1186611	O-RING 02025 RED SILICONE
20	1186612	O-RING 02025 VITON
21	1120339	3-WAY MECHANICAL COMPONENT PARKER
22	1455034	CYLINDER HEAD SCREW M4x10
23	1120361	COIL PARKER YB09 220/230V 9W 50/60Hz
26	1250101	FILTER LOCKING SPRING ø 1,00 mm INOX
27	1165070	FILTER HOLDER ELEKTRA
28	1022550	SPOUT 1 CUP ø 3/8"
29	1022522	ADJUSTABLE LONG DOUBLE SPOUT ø 3/8"
29	1022523	ADJUSTABLE SHORT DOUBLE SPOUT ø 3/8"
30	1241134	CHROME-PLATED SPOUT EXTENSION ø 3/8"
33	1241133	FILTER HOLDER HANDLE M12
34	1241504	FILTER HOLDER HANDLE M12
35	1160339	BLIND FILTER ø 70x17 mm
36	1160251	1 CUP FILTER 6 g ø 70x20.5 mm
37	1160252	FILTER 2-CUP 12 g ø 70x21 mm
38	1160335	1 CUP FILTER 7 g ø 70x24,5 mm
39	1160337	FILTER 2-CUP 14 g ø 70x24,5 mm
40	1165071	1 CUP FILTER HOLDER ASSEMBLY ELEKTRA
41	1165072	2 CUPS FILTER HOLDER ASSEMBLY ELEKTRA
42	1165073	1 CUP FILTER HOLDER ASSEMBLY ELEKTRA
43	1165074	2 CUPS FILTER HOLDER ASSEMBLY ELEKTRA
44	1192020	MICRO CONTROL LEVER
45	1240039	MICROSWITCH 16A 250V
47	1250051	CLUTCH SPRING
52	1241132	BREWING GROUP HANDLE

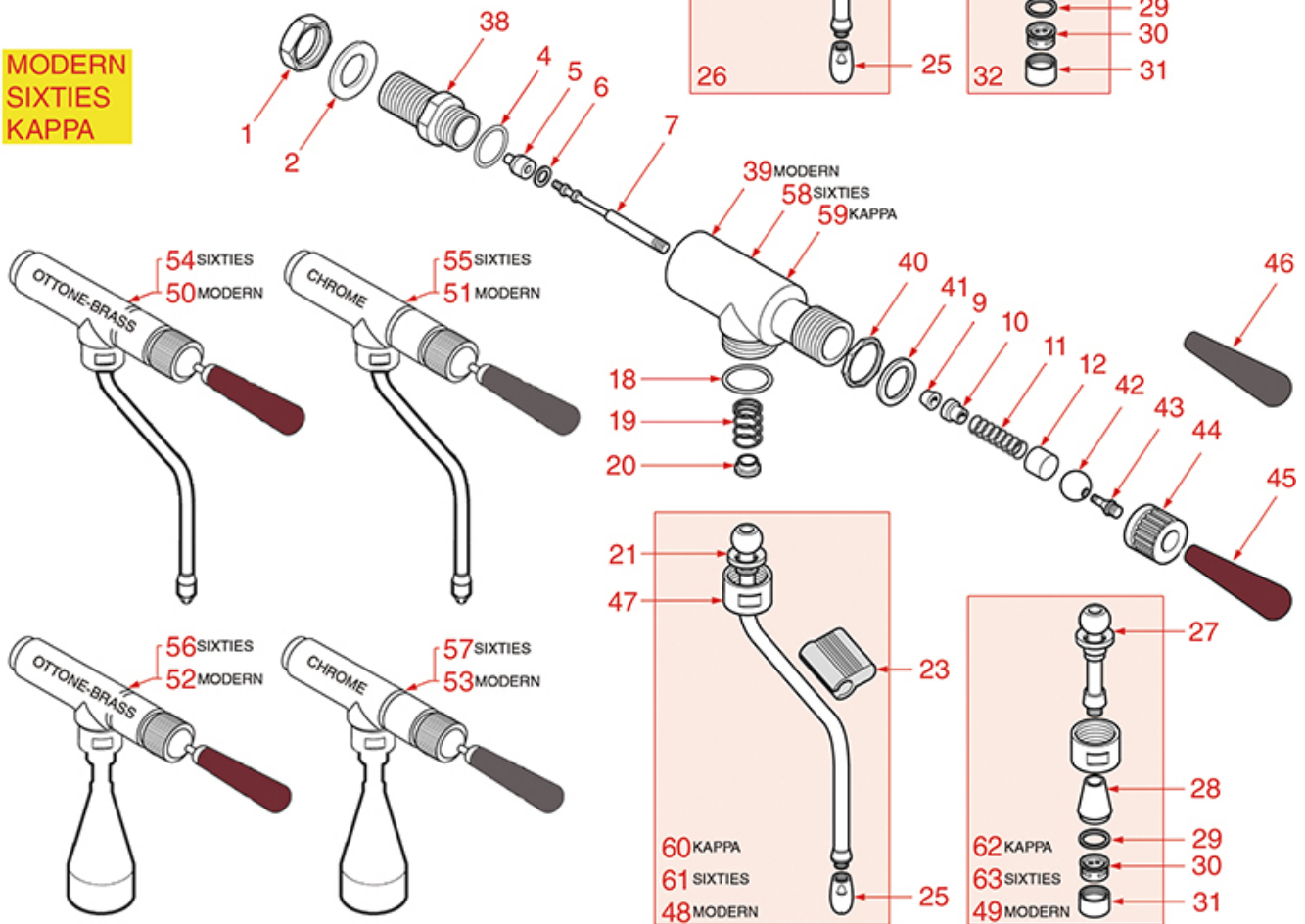


## WATER-STEAM TAP CLASSIC/MODERN

### CLASSIC



### MODERN SIXTIES KAPPA







# ELEKTRA

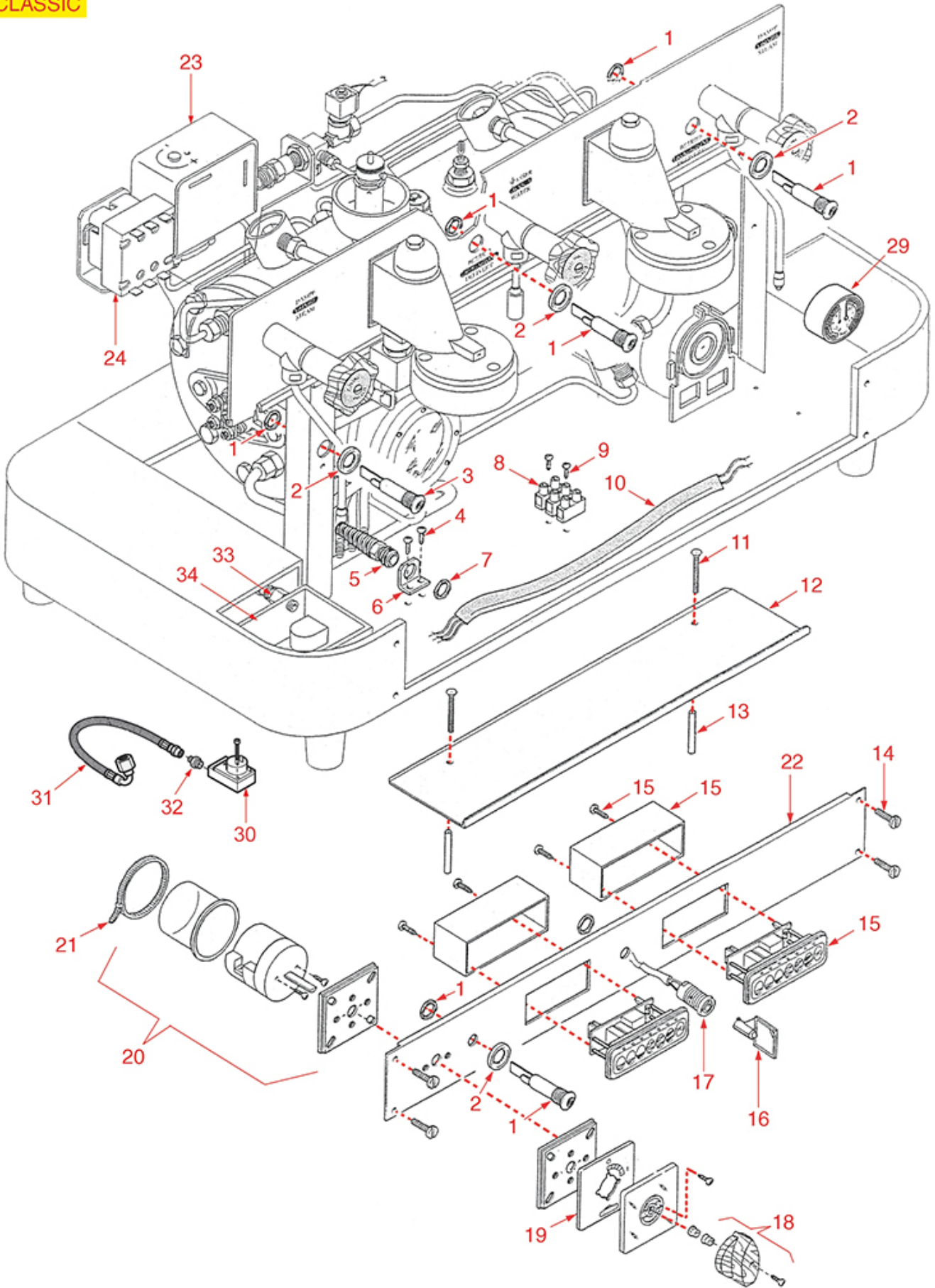


Position	LF code no.	Description
1	1348036	NUT $\varnothing$ 3/8" WRENCH 21x6mm
4	1186933	O-RING 02075 GREEN VITON
5	1186934	GASKET HOLDER FOR TAP
6	1186935	FLAT EPDM GASKET $\varnothing$ 13x4x4 mm
7	1348132	TIE ROD FOR WATER/STEAM TAP
9	1186936	CONICAL PTFE SEAL $\varnothing$ 12x5x5 mm
10	1250054	SPRING GUIDE
11	1250052	SPRING $\varnothing$ 12.2x35 mm
12	1250053	TIE ROD HEAD
15	1241135	WATER/STEAM TAP KNOB
17	1528041	LARGE PAN HEAD SCREW M4x8 POLISHED
18	1186373	O-RING 02081 BLACK SILICONE
19	1250019	SPRING $\varnothing$ 12x16.5 mm
20	1186670	STEAM PIPE ARTICULATION BUSHING $\varnothing$ 12x5mm
21	1186388	CONICAL PTFE SEAL $\varnothing$ 19x11x3 mm
23	1449172	BURN PREVENTING HANDGRIP FOR PIPE $\varnothing$ 8 m
26	1449220	STEAM PIPE COMPLETE
29	1186938	FLAT VITON GASKET $\varnothing$ 20.5x15x2 mm
30	1449317	WATER PIPE NOZZLE
32	1449221	COMPLETE WATER PIPE
34	1348130	CHROME STEAM TAP ASSEMBLY
36	1348131	PLATED WATER TAP ASSEMBLY
42	1323005	ARTICULATION BALL $\varnothing$ 16 mm
43	1324063	TAP PIN INOX M8/M5
44	1349026	CHROME PLATED LEVER RING NUT
45	1241020	WATER/STEAM TAP KNOB
61	1449220	STEAM PIPE COMPLETE



ELECTRICAL COMPONENTS CLASSIC

CLASSIC



Positions without LF code no.: upon request



# ELEKTRA

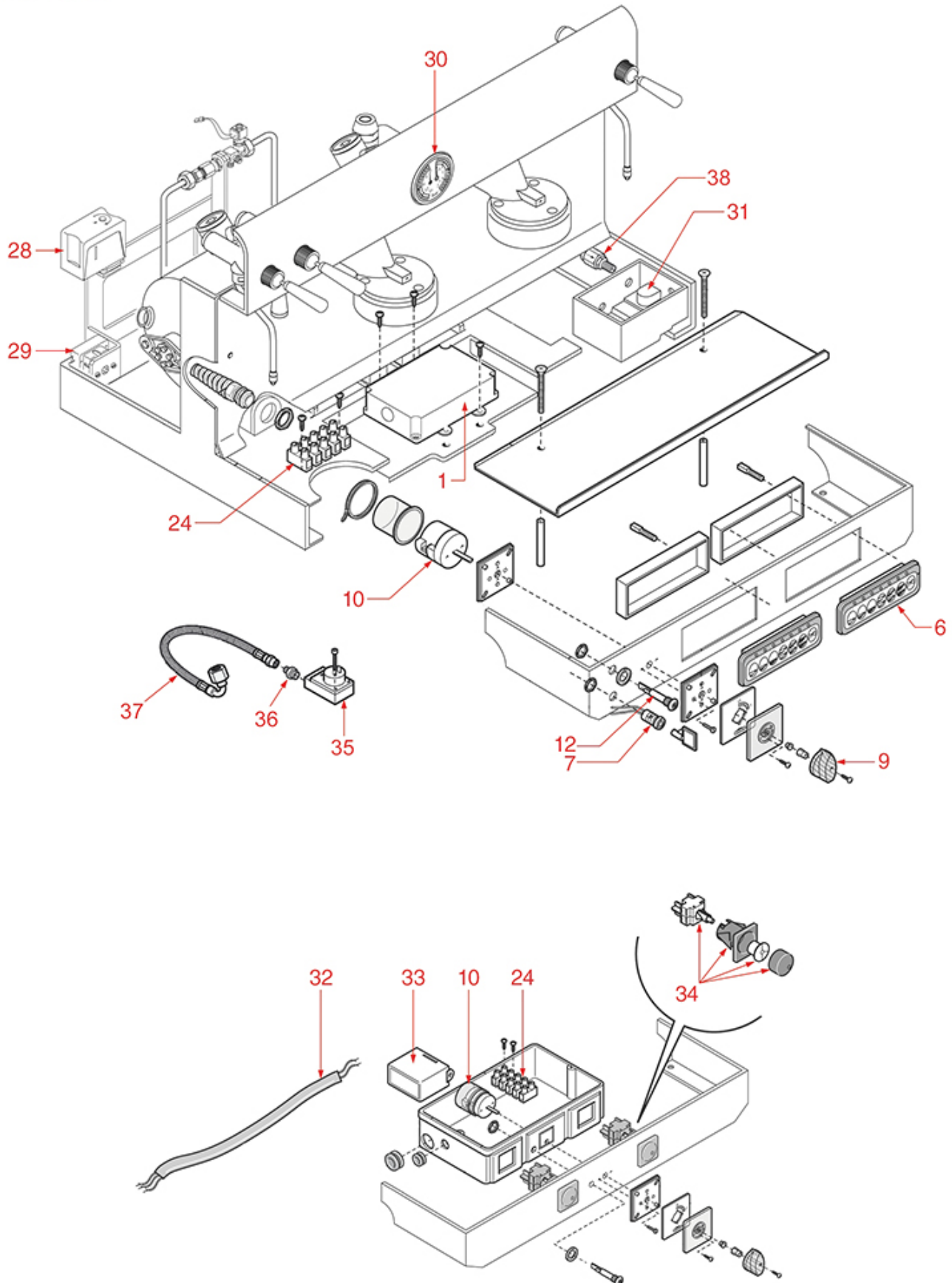


Position	LF code no.	Description
1	1221120	INDICATOR LIGHT GREEN 220V
3	1221121	INDICATOR LIGHT RED 220V
15	1054030	CONTROL-BOX P.BUT.PANEL 7 BUTTONS 230V
17	1054031	PROGRAMMING SWITCH
18	1241130	SELECTOR SWITCH KNOB
19	1241131	SILKSCREEN PRINT. F/SELECTOR SWITCH KNOB
23	1320531	PRESSURE SWITCH P302/6 3-POLES 30A
24	1444509	THREE-PHASE THERMOSTAT 169°C
29	1245006	BOILER-PUMP PRESSURE GAUGE ø 60 mm
29	1245007	BOILER-PUMP PRESSURE GAUGE ø 60 mm
29	1245060	BOILER-PUMP PRESSURE GAUGE ø 60 mm
29	1245070	BOILER-PUMP PRESSURE GAUGE ø 60 mm
30	1455067	VOLUMETRIC FLOW METER GICAR
31	5019647	PIPE FLEX ø 3/8" CFp x 1/8" Fc 280 mm
33	5500498	EXPANSION VALVE ø 1/8"M-1/8"MC
34	5029034	DRAIN TANK



## ELECTRICAL COMPONENTS MODERN

MODERN



Positions without LF code no.: upon request



# ELEKTRA

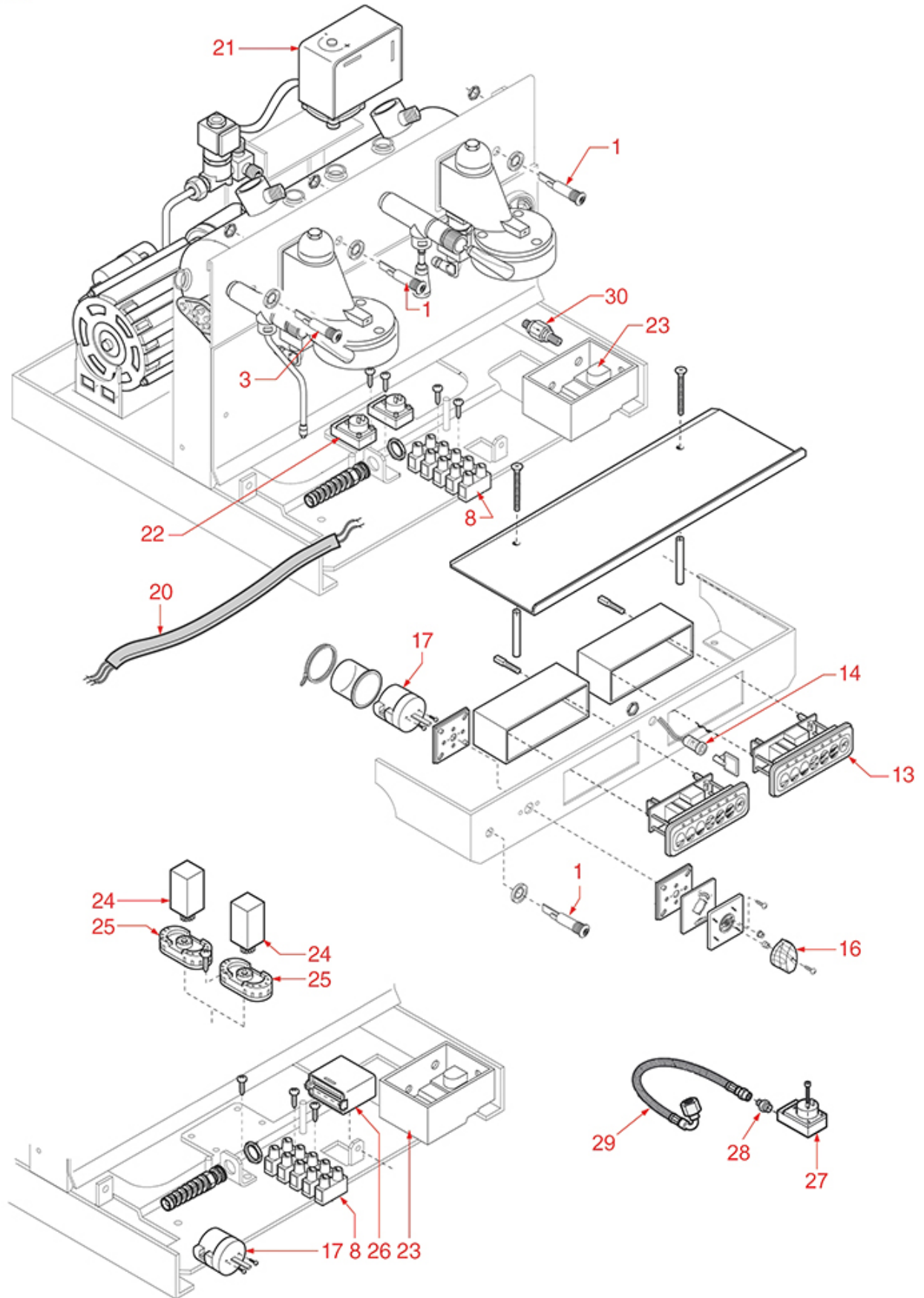


Position	LF code no.	Description
9	1241130	SELECTOR SWITCH KNOB
12	1221120	INDICATOR LIGHT GREEN 220V
28	1320531	PRESSURE SWITCH P302/6 3-POLES 30A
29	1444509	THREE-PHASE THERMOSTAT 169°C
30	1245007	BOILER-PUMP PRESSURE GAUGE ø 60 mm
31	5029034	DRAIN TANK
33	7102844	WATER LEVEL REGULATOR NRL30/1E-2C/F 230
35	1455067	VOLUMETRIC FLOW METER GICAR
37	5019647	PIPE FLEX ø 3/8" CFp x 1/8" Fc 280 mm
38	5500498	EXPANSION VALVE ø 1/8"M-1/8"MC



## ELECTRICAL COMPONENTS SIXTIES

SIXTIES



Positions without LF code no.: upon request



# ELEKTRA

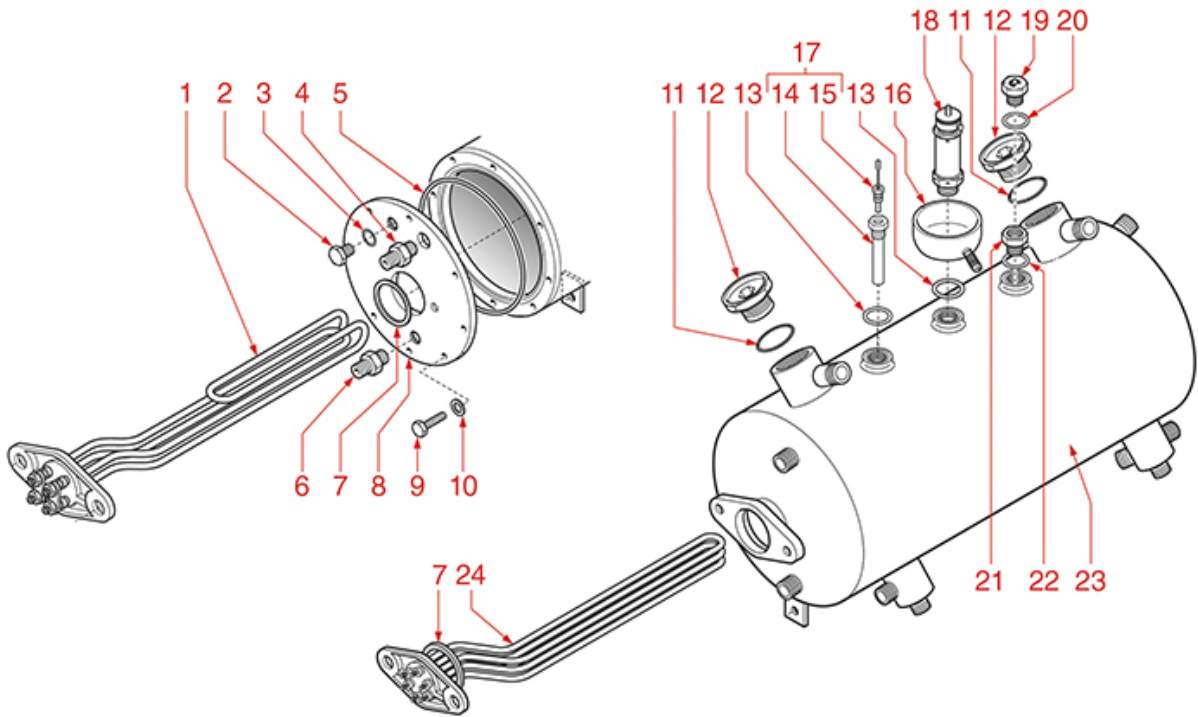


Position	LF code no.	Description
1	1221120	INDICATOR LIGHT GREEN 220V
3	1221121	INDICATOR LIGHT RED 220V
13	1054030	CONTROL-BOX P.BUT.PANEL 7 BUTTONS 230V
14	1054031	PROGRAMMING SWITCH
16	1241130	SELECTOR SWITCH KNOB
21	1320531	PRESSURE SWITCH P302/6 3-POLES 30A
23	5029034	DRAIN TANK
26	7102844	WATER LEVEL REGULATOR NRL30/1E-2C/F 230
27	1455067	VOLUMETRIC FLOW METER GICAR
29	5019647	PIPE FLEX $\varnothing$ 3/8" CFp x 1/8" Fc 280 mm
30	5500498	EXPANSION VALVE $\varnothing$ 1/8"M-1/8"MC

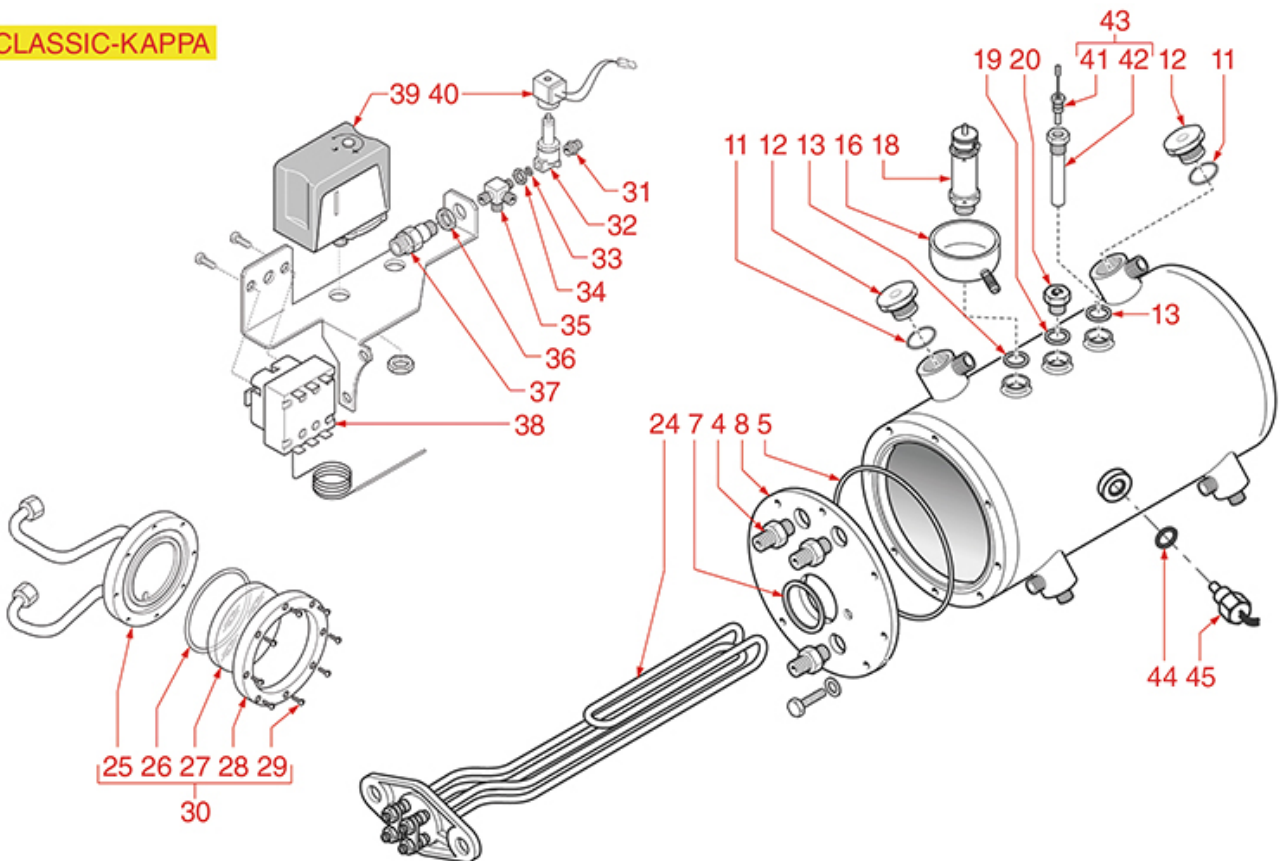


## BOILER MODERN-CLASSIC

### MODERN-SIXTIES



### CLASSIC-KAPPA







# ELEKTRA



Position	LF code no.	Description
	1755261	HEATING ELEMENT 3500W 230/400V
5	1186941	O-RING 04525 EPDM
6	1349112	FITTING $\varnothing$ 1/4"M-3/8"M
7	1186942	FLAT CARBO GASKET $\varnothing$ 55x42x2 mm
9	3528088	HEXAGON HEAD SCREW M8x20
10	1528008	WASHER FLAT M8
11	1186930	O-RING 03125 GREEN VITON
12	1439030	CAP FOR BREW GROUP
13	1186939	ROUND COPPER GASKET $\varnothing$ 21x17x2 mm
16	1527320	WATER COLLECTION TANK
18	1523121	BOILER VALVE $\varnothing$ 3/8"M - 1.5 bar CE/PED
19	1523534	EXHAUST VALVE $\varnothing$ 1/4"M
19	1523537	EXHAUST VALVE $\varnothing$ 1/4"M
20	1186769	ROUND COPPER GASKET $\varnothing$ 18.7x13x2.5 mm
22	1186939	ROUND COPPER GASKET $\varnothing$ 21x17x2 mm
24	1755260	HEATING ELEMENT 5500W 240/415V
24	1755261	HEATING ELEMENT 3500W 230/400V
26	1186932	O-RING 06237 EPDM
27	1520150	LEVEL GLASS $\varnothing$ 73x8 mm
33	1160017	STAINLESS STEEL WATER FILTER $\varnothing$ 8x1.5 mm
38	1444509	THREE-PHASE THERMOSTAT 169°C
39	1320531	PRESSURE SWITCH P302/6 3-POLES 30A
43	1341010	LEVEL PROBE $\varnothing$ 3/8"M-131 mm



Suitable for:

# ELEKTRA



Suitable for:

## Boiler safety valves

**5036835 BOILER VALVE  $\varnothing$  3/8" M**  
for Coffee machine (ELEKTRA) MICROCASA



ELEKTRA 00145034

**1523121 BOILER VALVE  $\varnothing$  3/8" M - 1.5 bar CE/PED**  
calibration pressure 1.5 bar  
steam outlet flow rate 77 Kg/h  
viton seal  
operating temperature -20/+200°C  
CE/PED certified valve



ELEKTRA 01618034

ELEKTRA 03199034

**1523534 EXHAUST VALVE  $\varnothing$  1/4" M**  
stainless steel - new model  
internal PTFE coating - or viton



ELEKTRA 00200034

**1523537 EXHAUST VALVE  $\varnothing$  1/4" M**  
stainless steel - old model  
or viton



ELEKTRA 00200034

## Brushes

**1384023 BRUSH FOR CLEANING 50 mm**



ELEKTRA

**1384002 BRUSH FOR MAINTENANCE**



ELEKTRA

**1384001 SHOWER CLEANING BRUSH**  
100% made in Italy



ELEKTRA

**1384014 SHOWER CLEANING BRUSH RED**



ELEKTRA

## Cappuccino makers - Cappuccinatore

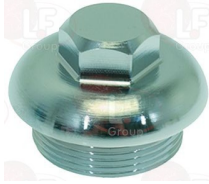
**1079026 MILK FROTHER S/STEEL  $\varnothing$  1/8"**



ELEKTRA 02842039

## Caps

**1439029 CAP  $\varnothing$  30 mm FOR BREW GROUP**  
for Coffee machine (ELEKTRA) BELLEEPOQUE - CLASSIC  
SIXTIES



ELEKTRA 00921021

**1439030 CAP FOR BREW GROUP**  
for Coffee machine (ELEKTRA) BELLEEPOQUE - CLASSIC  
KAPPA - MODERN - SIXTIES



ELEKTRA 00026014

## Circlips

**3528021 STAINLESS STEEL CIRCLIP E-17**  
st/steel -  $\varnothing$  int. 15.7 mm - thickness 1 mm  
UNI 7435 - DIN 471



ELEKTRA 00044035

## Clamps

**1168011 STAINLESS STEEL CLAMP FOR FLANGE PUMP**



ELEKTRA

## Coffee filters

**1160339 BLIND FILTER  $\varnothing$  70x17 mm**  
edge  $\varnothing$  70 mm - height 17 mm



ELEKTRA 01309035

**1460067 FILER 2 CUPS 12 gr  $\varnothing$  70x21 mm**  
border  $\varnothing$  70 mm - height 21 mm  
made in China



ELEKTRA



Suitable for:

# ELEKTRA



## 1460026 FILTER BARISTAPRO 1T 10/12 g THE SINGLE

edge ø 70 mm - height 24 mm - 269 holes  
Aisi steel 304 - food-safe certified.  
Modified drilling, with increased holes of the 90% to obtain a bigger extraction also with light toasted coffee.  
Electropolishing, to guarantee a surface with higher strength and durability.  
100% made in Italy



ELEKTRA

Suitable for:

## 1460019 FILTER BARISTAPRO 1T 7/8.5 g THE SINGLE

edge ø 70 mm - height 21 mm - 269 holes  
Aisi steel 304 - food-safe certified.  
Modified drilling, with increased holes of the 90% to obtain a bigger extraction also with light toasted coffee.  
Electropolishing, to guarantee a surface with higher strength and durability.  
100% made in Italy



ELEKTRA

## 1460025 FILTER BARISTAPRO 1T 8/10 g THE SINGLE

edge ø 70 mm - height 22.5 mm - 269 holes  
Aisi steel 304 - food-safe certified.  
Modified drilling, with increased holes of the 90% to obtain a bigger extraction also with light toasted coffee.  
Electropolishing, to guarantee a surface with higher strength and durability.  
100% made in Italy



ELEKTRA

## 1460017 FILTER BARISTAPRO 2T 15 g

edge ø 70 mm - height 22 mm - 661 holes  
Aisi steel 304 - food-safe certified.  
Holes made with a precise diameter and number specifically designed and tested to ensure homogeneous extraction and a balanced quantity of soluble in cup.  
Detached from the filter edge and distributed toward the center to eliminate channeling.  
Electropolishing, to guarantee a surface with higher strength and durability.  
100% made in Italy



ELEKTRA

## 1460018 FILTER BARISTAPRO 2T 15 g NANOTECH

edge ø 70 mm - height 22 mm - 661 holes  
Aisi steel 304 - food-safe certified.  
Holes made with a precise diameter and number specifically designed and tested to ensure homogeneous extraction and a balanced quantity of soluble in cup.  
Detached from the filter edge and distributed toward the center to eliminate channeling.  
Non-stick coating made of NANOQUARTZ increases the resistance to corrosion and chemical reaction  
100% made in Italy



ELEKTRA

## 1460020 FILTER BARISTAPRO 2T 18 g

edge ø 70 mm - height 24 mm - 661 holes  
Aisi steel 304 - food-safe certified.  
Holes made with a precise diameter and number specifically designed and tested to ensure homogeneous extraction and a balanced quantity of soluble in cup.  
Detached from the filter edge and distributed toward the center to eliminate channeling.  
Electropolishing, to guarantee a surface with higher strength and durability.  
100% made in Italy



ELEKTRA

Suitable for:

Suitable for:

**1460022 FILTER BARISTAPRO 2T 18 g NANOTECH**  
 edge  $\varnothing$  70 mm - height 24 mm - 661 holes  
 Aisi steel 304 - food-safe certified.  
 Holes made with a precise diameter and number specifically designed and tested to ensure homogeneous extraction and a balanced quantity of soluble in cup. Detached from the filter edge and distributed toward the center to eliminate channeling. Non-stick coating made of NANOQUARTZ increases the resistance to corrosion and chemical reaction.  
 100% made in Italy



ELEKTRA

**1460021 FILTER BARISTAPRO 2T 20 g**  
 edge  $\varnothing$  70 mm - height 26 mm - 661 holes  
 Aisi steel 304 - food-safe certified.  
 Holes made with a precise diameter and number specifically designed and tested to ensure homogeneous extraction and a balanced quantity of soluble in cup. Detached from the filter edge and distributed toward the center to eliminate channeling. Electropolishing, to guarantee a surface with higher strength and durability.  
 100% made in Italy



ELEKTRA

**1460023 FILTER BARISTAPRO 2T 20 g NANOTECH**  
 edge  $\varnothing$  70 mm - height 26 mm - 661 holes  
 Aisi steel 304 - food-safe certified.  
 Holes made with a precise diameter and number specifically designed and tested to ensure homogeneous extraction and a balanced quantity of soluble in cup. Detached from the filter edge and distributed toward the center to eliminate channeling. Non-stick coating made of NANOQUARTZ increases the resistance to corrosion and chemical reaction.  
 100% made in Italy



ELEKTRA

**1460027 FILTER BARISTAPRO 2T 22 g**  
 edge  $\varnothing$  70 mm - height 28 mm - 661 holes  
 Aisi steel 304 - food-safe certified.  
 Holes made with a precise diameter and number specifically designed and tested to ensure homogeneous extraction and a balanced quantity of soluble in cup. Detached from the filter edge and distributed toward the center to eliminate channeling. Electropolishing, to guarantee a surface with higher strength and durability.  
 100% made in Italy



ELEKTRA

**1460024 FILTER BARISTAPRO 2T 22 g NANOTECH**  
 edge  $\varnothing$  70 mm - height 28 mm - 661 holes  
 Aisi steel 304 - food-safe certified.  
 Holes made with a precise diameter and number specifically designed and tested to ensure homogeneous extraction and a balanced quantity of soluble in cup. Detached from the filter edge and distributed toward the center to eliminate channeling. Non-stick coating made of NANOQUARTZ increases the resistance to corrosion and chemical reaction.  
 100% made in Italy



ELEKTRA

**1160009 FILTER 1 CUP  $\varnothing$  58x22 mm**  
 edge  $\varnothing$  58 mm - height 22 mm  
 for machines with unsheathed group  
 for Coffee machine (ELEKTRA) MICROCASA



ELEKTRA 00164035



Suitable for:

# ELEKTRA



**5108084 FILTER 1 CUP 6 g  $\varnothing$  70x20.5 mm**  
border  $\varnothing$  70 mm - height 20.5 mm  
made in China



ELEKTRA 01796035

Suitable for:

**1460065 FILTER 1 CUP 7 g  $\varnothing$  70x24.5 mm**  
edge  $\varnothing$  70 mm - h 24.5 mm  
made in China



ELEKTRA 00065035

**1460066 FILTER 2 CUPS 14 g  $\varnothing$  70x24.5 mm**  
edge  $\varnothing$  70 mm - h 24.5 mm  
made in China



ELEKTRA 00066035

**1160010 FILTER 2-CUP  $\varnothing$  58x24,5 mm**  
edge  $\varnothing$  58 mm - height 24.5 mm  
for machines with unsheathed group  
for Coffee machine (ELEKTRA) MICROCASA



ELEKTRA 00163035

**1160252 FILTER 2-CUP 12 g  $\varnothing$  70x21 mm**  
edge  $\varnothing$  70 mm - height 21 mm



ELEKTRA

**1160282 FILTER 2-CUP 14 g - COST EFFECTIVE**  
edge  $\varnothing$  70 mm - height 25 mm



ELEKTRA

**1160337 FILTER 2-CUP 14 g  $\varnothing$  70x24,5 mm**  
edge  $\varnothing$  70 mm - height 24.5 mm



ELEKTRA 00066035

**1460100 PRECISION FILTER 1 CUP 6/8 g H24.5**  
edge  $\varnothing$  70 mm - height 24.5 mm - 177 holes  
circular holes with conical section  
Aisi steel 304 - food-safe certified  
matching tamper  $\varnothing$  58 mm  
for COFFEE MACHINES ASTORIA-CASADIO-CONTI-ELEKTRA  
FRACINO-KEESVANDERWESTEN-MAGISTER-MARZOCCO  
N.SIMONELLI-PAVONI-PROMAC-RANCILIO-SLAYER-SYNESSO  
VICTORIA ARDUINO  
for GROUPS E61 ASCASO-BEZZERA-BFC-BIANCHI  
BRASILIA-DID-ECM-EXPOBAR-FAEMA-FIORENZATO-GRIMAC  
IBERITAL-LANUOVAERA-LASCALA-ORCHESTRALE  
QUALITYESPRESSO-ROCKET-ROYAL-SABITALIA-SANREMO-VFA  
VIBIEMME-WEGA



ELEKTRA

Suitable for:

Suitable for:

**1460101 PRECISION FILTER 1 CUP 7/9 g H26.5**  
 edge  $\varnothing$  70 mm - height 26.5 mm - 253 holes  
 circular holes with conical section  
 Aisi steel 304 - food-safe certified  
 matching tamper  $\varnothing$  58 mm  
 for GROUPS E61 ASCASO-BEZZERA-BFC-BIANCHI  
 BRASILIA-DID-ECM-EXPOBAR-FAEMA-FIORENZATO-GRIMAC  
 IBERITAL-LANUOVAERA-LASCALA-L'ORCHESTRALE  
 QUALITYESPRESSO-ROCKET-ROYAL-SABITALIA-SANREMO-VFA  
 VIBIEMME-WEGA  
 for Coffee machine (ELEKTRA)



ELEKTRA

**1460113 PRECISION FILTER 2 CUPS 12/18 g H24**  
 edge  $\varnothing$  70 mm - height 24 mm - 715 holes  
 convex bottom  
 circular holes with conical section  
 Aisi steel 304 - food-safe certified  
 matching tamper  $\varnothing$  58 mm  
 per GROUPS E61 ASCASO-BEZZERA-BFC-BIANCHI  
 BRASILIA-DID-ECM-EXPOBAR-FAEMA-FIORENZATO-GRIMAC  
 IBERITAL-LANUOVAERA-LASCALA-L'ORCHESTRALE  
 QUALITYESPRESSO-ROCKET-ROYAL-SABITALIA-SANREMO-VFA  
 VIBIEMME-WEGA  
 for COFFEE MACHINES SANREMO OPERA



ELEKTRA

**1460400 PRECISION FILTER 2 CUPS 12/18 g H24**  
 ULTRAFINE MODEL - MEMBRANE OF 170  $\mu$ m  
 edge  $\varnothing$  70 mm - height 24 mm - 565 holes  
 circular holes with conical section  
 Aisi steel 304 - food-safe certified  
 matching tamper  $\varnothing$  58 mm  
 for COFFEE MACHINES ASTORIA-CASADIO-CONTI-ELEKTRA  
 FRACINO-KEESVANDERWESTEN-MAGISTER-MARZOCCO  
 N.SIMONELLI-PAVONI-PROMAC-RANCILIO-SLAYER-SYNESSO  
 VICTORIA ARDUINO  
 for GROUPS E61 ASCASO-BEZZERA-BFC-BIANCHI  
 BRASILIA-DID-ECM-EXPOBAR-FAEMA-FIORENZATO-GRIMAC  
 IBERITAL-LANUOVAERA-LASCALA-ORCHESTRALE  
 QUALITYESPRESSO-ROCKET-ROYAL-SABITALIA-SANREMO-VFA  
 VIBIEMME-WEGA



ELEKTRA

**1460102 PRECISION FILTER 2 CUPS 12/18 g H24.5**  
 edge  $\varnothing$  70 mm - height 24.5 mm - 641 holes  
 circular holes with conical section  
 Aisi steel 304 - food-safe certified  
 matching tamper  $\varnothing$  58 mm  
 for GROUPS E61 ASCASO-BEZZERA-BFC-BIANCHI  
 BRASILIA-DID-ECM-EXPOBAR-FAEMA-FIORENZATO-GRIMAC  
 IBERITAL-LANUOVAERA-LASCALA-L'ORCHESTRALE  
 QUALITYESPRESSO-ROCKET-ROYAL-SABITALIA-SANREMO-VFA  
 VIBIEMME-WEGA  
 for Coffee machine (ELEKTRA)



ELEKTRA

**1460401 PRECISION FILTER 2 CUPS 14/20 g H26**  
 ULTRAFINE MODEL - MEMBRANE OF 170  $\mu$ m  
 edge  $\varnothing$  70 mm - height 26 mm - 565 holes  
 circular holes with conical section  
 Aisi steel 304 - food-safe certified  
 matching tamper  $\varnothing$  58 mm  
 for COFFEE MACHINES ASTORIA-CASADIO-CONTI-ELEKTRA  
 FRACINO-KEESVANDERWESTEN-MAGISTER-MARZOCCO  
 N.SIMONELLI-PAVONI-PROMAC-RANCILIO-SLAYER-SYNESSO  
 VICTORIA ARDUINO  
 for GROUPS E61 ASCASO-BEZZERA-BFC-BIANCHI  
 BRASILIA-DID-ECM-EXPOBAR-FAEMA-FIORENZATO-GRIMAC  
 IBERITAL-LANUOVAERA-LASCALA-ORCHESTRALE  
 QUALITYESPRESSO-ROCKET-ROYAL-SABITALIA-SANREMO-VFA  
 VIBIEMME-WEGA



ELEKTRA

**1460103 PRECISION FILTER 2 CUPS 14/20 g H26.5**  
 edge  $\varnothing$  70 mm - height 26.5 mm - 641 holes  
 circular holes with conical section  
 Aisi steel 304 - food-safe certified  
 matching tamper  $\varnothing$  58 mm  
 for GROUPS E61 ASCASO-BEZZERA-BFC-BIANCHI  
 BRASILIA-DID-ECM-EXPOBAR-FAEMA-FIORENZATO-GRIMAC  
 IBERITAL-LANUOVAERA-LASCALA-L'ORCHESTRALE  
 QUALITYESPRESSO-ROCKET-ROYAL-SABITALIA-SANREMO-VFA  
 VIBIEMME-WEGA  
 for Coffee machine (ELEKTRA)



ELEKTRA



Suitable for:

# ELEKTRA



Suitable for:

**1460114 PRECISION FILTER 2 CUPS 16/20 g H26**  
 edge  $\varnothing$  70 mm - height 26 mm - 715 holes  
 circular holes with conical section  
 Aisi steel 304 - food-safe certified  
 matching tamper  $\varnothing$  58 mm  
 for GROUPS E61 ASCASO-BEZZERA-BFC-BIANCHI  
 BRASILIA-DID-ECM-EXPOBAR-FAEMA-FIORENZATO-GRIMAC  
 IBERITAL-LANUOVAERA-LASCALA-L'ORCHESTRALE  
 QUALITYESPRESSO-ROCKET-ROYAL-SABITALIA-SANREMO-VFA  
 VIBIEMME-WEGA  
 for COFFEE MACHINES SANREMO OPERA



ELEKTRA

**1460402 PRECISION FILTER 2 CUPS 18/22 g H28**  
 ULTRAFINE MODEL - MEMBRANE OF 170  $\mu$ m  
 edge  $\varnothing$  70 mm - height 28 mm - 565 holes  
 circular holes with conical section  
 Aisi steel 304 - food-safe certified  
 matching tamper  $\varnothing$  58 mm  
 for COFFEE MACHINES ASTORIA-CASADIO-CONTI-ELEKTRA  
 FRACINO-KEESVANDERWESTEN-MAGISTER-MARZOCCO  
 N.SIMONELLI-PAVONI-PROMAC-RANCILIO-SLAYER-SYNESSO  
 VICTORIA ARDUINO  
 for GROUPS E61 ASCASO-BEZZERA-BFC-BIANCHI  
 BRASILIA-DID-ECM-EXPOBAR-FAEMA-FIORENZATO-GRIMAC  
 IBERITAL-LANUOVAERA-LASCALA-ORCHESTRALE  
 QUALITYESPRESSO-ROCKET-ROYAL-SABITALIA-SANREMO-VFA  
 VIBIEMME-WEGA



ELEKTRA

**1460104 PRECISION FILTER 2 CUPS 18/22 g H28.5**  
 edge  $\varnothing$  70 mm - height 28.5 mm - 715 holes  
 circular holes with conical section  
 Aisi steel 304 - food-safe certified  
 matching tamper  $\varnothing$  58 mm  
 for GROUPS E61 ASCASO-BEZZERA-BFC-BIANCHI  
 BRASILIA-DID-ECM-EXPOBAR-FAEMA-FIORENZATO-GRIMAC  
 IBERITAL-LANUOVAERA-LASCALA-L'ORCHESTRALE  
 QUALITYESPRESSO-ROCKET-ROYAL-SABITALIA-SANREMO-VFA  
 VIBIEMME-WEGA  
 for Coffee machine (ELEKTRA)



ELEKTRA

**1460080 PRECISION FILTER 2T 12/14 g H20**  
 edge  $\varnothing$  70 mm - height 20 mm - 715 holes  
 circular holes with tapered section  
 Aisi 304 steel - food grade certificate  
 matching tamper  $\varnothing$  58 mm  
 for KEES VAN DER WESTEN Spirit-Speedster models  
 for groups type E61



ELEKTRA

**1460081 PRECISION FILTER 2T 14/16 g H22**  
 edge  $\varnothing$  70 mm - height 22 mm - 715 holes  
 circular holes with tapered section  
 Aisi 304 steel - food grade certificate  
 matching tamper  $\varnothing$  58 mm  
 for KEES VAN DER WESTEN Spirit-Speedster models  
 for groups type E61



ELEKTRA

**1460082 PRECISION FILTER 2T 16/18 g H24**  
 edge  $\varnothing$  70 mm - height 24 mm - 715 holes  
 circular holes with tapered section  
 Aisi 304 steel - food grade certificate  
 matching tamper  $\varnothing$  58 mm  
 for KEES VAN DER WESTEN Spirit-Speedster models  
 for groups type E61



ELEKTRA



Suitable for:

**1460083 PRECISION FILTER 2T 18/20 g H26**  
 edge  $\varnothing$  70 mm - height 26 mm - 715 holes  
 circular holes with tapered section  
 Aisi 304 steel - food grade certificate  
 matching tamper  $\varnothing$  58 mm  
 for KEES VAN DER WESTEN Spirit-Speedster models  
 for groups type E61



ELEKTRA

Suitable for:

**1460084 PRECISION FILTER 2T 20/22 g H28**  
 edge  $\varnothing$  70 mm - height 28 mm - 715 holes  
 circular holes with tapered section  
 Aisi 304 steel - food grade certificate  
 matching tamper  $\varnothing$  58 mm  
 for KEES VAN DER WESTEN Spirit-Speedster models  
 for groups type E61



ELEKTRA

**1160251 1 CUP FILTER 6 g  $\varnothing$  70x20.5 mm**  
 edge  $\varnothing$  70 mm - height 20.5 mm



ELEKTRA 01796035

**1160335 1 CUP FILTER 7 g  $\varnothing$  70x24,5 mm**  
 edge  $\varnothing$  70 mm - height 24.5 mm



ELEKTRA 00065035

**1160281 1-CUP FILTER 7 gr - BASIC QUALITY**  
 edge  $\varnothing$  70 mm - height 24.5 mm



ELEKTRA

## Coffee groups

**1160020 BUSHING FOR FILTER**  
 for brew group  
 for Coffee machine (ELEKTRA) BELLE EPOQUE  
 CLASSIC BARLUME - KAPPA - MODERN - SIXTIES



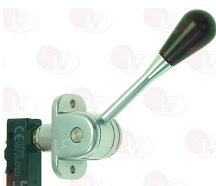
ELEKTRA 00110014

**1500201 JET HOLDER FOR JET M5**  
 for brew group  
 for Coffee machine (ELEKTRA) BELLE EPOQUE  
 CLASSIC BARLUME - KAPPA - MODERN - SIXTIES



ELEKTRA 01335014

**1192020 MICRO CONTROL LEVER**  
 for Coffee machine (ELEKTRA) CLASSIC BARLUME  
 SIXTIES



ELEKTRA 00960039



Suitable for:

# ELEKTRA



Suitable for:

## Coffee measuring spoons

**1069001 PLASTIC MEASURING SPOON 20 ml**  
overall length 195 mm



ELEKTRA 00402035

**1069002 STAINLESS STEEL MEASURING SPOON 20 ml**  
material stainless steel AISI304  
overall length 195 mm



ELEKTRA

## Coffee spouts

**1022522 ADJUSTABLE LONG DOUBLE SPOUT  $\varnothing$  3/8"**



ELEKTRA

**1022523 ADJUSTABLE SHORT DOUBLE SPOUT  $\varnothing$  3/8"**



ELEKTRA 00064021

**1241134 CHROME-PLATED SPOUT EXTENSION  $\varnothing$  3/8"**



ELEKTRA 00526021

**1022502 DOUBLE SPOUT  $\varnothing$  3/8"**



ELEKTRA

**1022524 DOUBLE SPOUT  $\varnothing$  3/8"**



ELEKTRA 00063021

**1022521 LONG DOUBLE SPOUT  $\varnothing$  3/8"**



ELEKTRA

**1022501 SPOUT 1 CUP  $\varnothing$  3/8"**



ELEKTRA

**1022550 SPOUT 1 CUP  $\varnothing$  3/8"**



ELEKTRA 01308021

**1022504 SPOUT 1 CUP CLOSED  $\varnothing$  3/8"**



ELEKTRA

**1022503 SPOUT 1 CUP STRAIGHT  $\varnothing$  3/8"**



ELEKTRA



Suitable for:

Suitable for:

**1022551 TRIPLE SPOUT  $\varnothing$  3/8"**

**5031337 1-CUP STRAIGHT SHORT SPOUT  $\varnothing$  3/8"**



ELEKTRA

ELEKTRA

## Contact thermostats

**3443081 CONTACT THERMOSTAT 125°C M4**  
for Coffee machine (ELEKTRA) MINIVERTICALE

**1443401 CONTACT THERMOSTAT 135°C M4**



ELEKTRA 00700035

ELEKTRA 00277035

ELEKTRA 03329035

**1444001 CONTACT THERMOSTAT 140°C 16A 250V**  
with manual reset  
for Coffee machine (ELEKTRA) MICROCASA

**1443002 CONTACT THERMOSTAT 165°C M4**  
with manual reset  
for Coffee machine (ELEKTRA) MINIVERTICALE NIVOLA



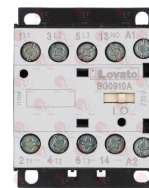
ELEKTRA 01194035

ELEKTRA 00702035

## Contactors

**1454004 CONTACTOR ABB B7-40-00**  
20A 400V 5.5Kw - coil 230V 50/60Hz  
4 normally open contacts

**3446556 CONTACTOR LOVATO BG0910A**  
coil 9A 230V 50/60Hz 4Kw  
3 normally open contacts  
1 normally open auxiliary contact



ELEKTRA 03244035

ELEKTRA C00061002

## Detergents

**3092543 COFFEE CLEAN DETERGENT 570 g**  
detergent for COFFEE MACHINES  
suitable for the cleaning of filter holders  
for grease and coffee stains on sauser and cups

**3092355 DETERGENT CAPPUCCINO PERFECT 1 L**  
to clean milk frothers  
please see the attached documentation for use



ELEKTRA

ELEKTRA



Suitable for:

# ELEKTRA



## 3092351 DETERGENT COFFEE CLEAN

package with 15 bags 20 g  
for coffee groups cleaning



ELEKTRA

Suitable for:

## 3092350 DETERGENT COFFEE CLEAN TABLET 2.5 g

jar with 60 tablets 2.5 g  
for coffee groups cleaning



ELEKTRA

## 3092143 DETERGENT COFFEE CLEAN 900 g

detergent for COFFEE MACHINES  
suitable for cleaning filters and filter holders  
for grease and coffee stains on cups and saucers  
please see the attached documentation for use



ELEKTRA

## 3092353 SCALE REMOVER SCALE CLEAN

package with 12 bags 25 g  
for the cleaning of BABY coffee machines  
please see the attached documentation for use



ELEKTRA

## 3092352 SCALE REMOVER SCALE CLEAN 1 kg

acid descaler for aluminium surfaces  
copper, brass, iron



ELEKTRA

## Drain hoses

### 1449270 DRAIN HOSE ELISPIR ø 12x18 mm - 30 m

alimentary



ELEKTRA

### 1449670 DRAIN HOSE ELISPIR ø 12x18 mm - 5 m

alimentary



ELEKTRA

### 1449271 DRAIN HOSE ELISPIR ø 14x20 mm - 30 m

alimentary



ELEKTRA

### 1449671 DRAIN HOSE ELISPIR ø 14x20 mm - 5 m

alimentary



ELEKTRA

Suitable for:

**1449272 DRAIN HOSE ELISPIR  $\varnothing$  16x23 mm - 30 m**  
alimentary



ELEKTRA

Suitable for:

**1449672 DRAIN HOSE ELISPIR  $\varnothing$  16x23 mm - 5 m**  
alimentary



ELEKTRA

**1449273 DRAIN HOSE ELISPIR  $\varnothing$  18x25 mm - 30 m**  
alimentary



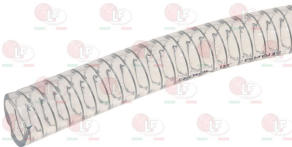
ELEKTRA

**1449673 DRAIN HOSE ELISPIR  $\varnothing$  18x25 mm - 5 m**  
alimentary



ELEKTRA

**1449274 DRAIN HOSE ELISPIR  $\varnothing$  20x27 mm - 30 m**  
alimentary



ELEKTRA

**1449674 DRAIN HOSE ELISPIR  $\varnothing$  20x27 mm - 5 m**  
alimentary



ELEKTRA

**1449255 DRAIN HOSE ELISPIR  $\varnothing$  25x33 mm**  
sale per linear metre



ELEKTRA

**1449256 DRAIN HOSE ELISPIR  $\varnothing$  30x38 mm**  
sale per linear metre



ELEKTRA

## Drain tanks

**5029034 DRAIN TANK**  
dimensions 97x70 mm  
for Coffee machine (ELEKTRA) CLASSIC - MODERN  
SIXTIES



ELEKTRA 01262014

**1527320 WATER COLLECTION TANK**  
for Coffee machine (ELEKTRA) CLASSIC - MODERN  
SIXTIES



ELEKTRA 00279011



Suitable for:

# ELEKTRA



Suitable for:

## Filter holder couplings

**1086530 FILTER HOLDER COUPLING**  
for Coffee machine (ELEKTRA) CLASSIC - KAPPA  
MICROCASA - MODERN - SIXTIES



ELEKTRA 00006021

ELEKTRA 02151021

## Filter holder gaskets

**1186063 FILTER HOLDER GASKET  $\varnothing$  64x55x5 mm**  
of red silicone  
for Coffee machine (ELEKTRA) MINIVERTICALE



ELEKTRA 01963035

**1186943 FILTER HOLDER GASKET  $\varnothing$  65x54x5.7 mm**  
for Coffee machine (ELEKTRA) BELLE EPOQUE  
CLASSIC - KAPPA - MICROCASA - MODERN - SIXTIES



ELEKTRA 01917035

**1486019 FILTERHOLDER GASKET  $\varnothing$  57.7x47x5.3 mm**  
for Coffee machine (ELEKTRA) MICROCASA



ELEKTRA 00174035

## Filter holder handles

**1241021 FILTER HOLDER HANDLE BAKELITE M10**



ELEKTRA 00469035

**1241269 FILTER HOLDER HANDLE M10**



ELEKTRA

**1241502 FILTER HOLDER HANDLE M10**



ELEKTRA

**1241505 FILTER HOLDER HANDLE M10**



ELEKTRA



# ELEKTRA



Suitable for:

Suitable for:

**5054506 FILTER HOLDER HANDLE M10 RED POLISHED**

**1141006 FILTER HOLDER HANDLE M10 SOFT**



ELEKTRA

ELEKTRA

**1141004 FILTER HOLDER HANDLE M10 WALNUT WOOD**

**5083515 FILTER HOLDER HANDLE M10 WALNUT WOOD**



ELEKTRA

ELEKTRA

**1241067 FILTER HOLDER HANDLE M12**

**1241133 FILTER HOLDER HANDLE M12**



ELEKTRA 00062035

ELEKTRA 01897035

**1241169 FILTER HOLDER HANDLE M12**

**1241501 FILTER HOLDER HANDLE M12**



ELEKTRA

ELEKTRA 03430039

**1241504 FILTER HOLDER HANDLE M12**

**5054505 FILTER HOLDER HANDLE M12 RED POLISHED**



ELEKTRA

ELEKTRA

**1141003 FILTER HOLDER HANDLE M12 WALNUT WOOD**

**5055983 FILTER HOLDER HANDLE M12 WALNUT WOOD**



ELEKTRA

ELEKTRA



Suitable for:

**1141007 FILTER HOLDER HANDLE M124 SOFT**



ELEKTRA

**5051751 FILTER HOLDER HANDLE WHITE M10**



ELEKTRA

**1241018 LEVER GROUP COMPLETE HANDLE M10**



ELEKTRA 00176038

**1241022 RING NUT FOR FILTER HOLDER HANDLE ø 20mm**



ELEKTRA 01367019

Suitable for:

**1241017 FILTER HOLDER HANDLE OF WOOD**



ELEKTRA 00177005

ELEKTRA 00177014

**5051102 FILTER HOLDER HANDLE WHITE M12**



ELEKTRA

**1241019 LEVER GROUP COMPLETE HANDLE M10**



ELEKTRA 00176039

**1165008 STUD FOR FILTER HOLDER HANDLE M10/M8**



ELEKTRA 00186035

## Filter holder springs

**1250333 FILTER LOCKING SPRING ø 1.30 mm ST.STEEL**



ELEKTRA

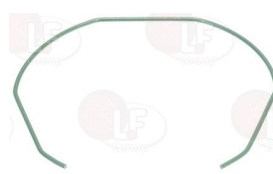
**1250101 FILTER LOCKING SPRING ø 1,00 mm INOX**



ELEKTRA

ELEKTRA 01304035

**1250338 FILTER LOCKING SPRING ø 1.40 mm ST.STEEL**



ELEKTRA

**1250018 S/STEEL FILTER LOCKING SPRING ø 1.10 mm for Coffee machine (ELEKTRA) MICROCASA**



ELEKTRA 01626035



1250002 S/STEEL FILTER LOCKING SPRING  $\varnothing$  1.20 mm



ELEKTRA

## Filter holders for coffee machines

1165222 **BOTTOMLESS FILTER HOLDER DIFF. BRANDS**

wings 6.4 mm  
 suitable for machines BIANCHI  
 suitable for machines ELEKTRA  
 suitable for machines FIAMMA RST  
 suitable for machines FIORENZATO CS  
 suitable for machines ISOMAC  
 suitable for machines MCE  
 suitable for machines ORCHESTRALE  
 suitable for machines QUICK MILL  
 suitable for machines SCALA  
 suitable for machines WEGA



ELEKTRA

1165189 **BOTTOMLESS FILTER HOLDER WEGA**

wings 6.4 mm



ELEKTRA

1165241 **FILTER HOLDER CAPS. LAVAZZA DIFF. BRANDS**

wings 6.4 mm  
 for single capsules lavazza blue



ELEKTRA

1165007 **FILTER HOLDER COMPLETE ELEKTRA**  
 handle connection M8 - wings 5.5 mm  
 without spring nor filter



ELEKTRA 00187021

ELEKTRA 00187039

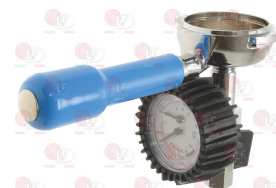
1165070 **FILTER HOLDER ELEKTRA**  
 spout connection  $\varnothing$  3/8" - handle connection M12  
 wings 6 mm



ELEKTRA 00061021

ELEKTRA 02152021

1165500 **FILTERHOLDER WITH THERMOMANOMETER**  
 measures water temperature and outlet pressure  
 from the brew group  
 temperature scale 0-120°C / 0-240°F  
 pressure scale 0-16 bar / 0-200 psi  
 with outlet ballvalve  
 fins 7.2 mm  
 for Coffee machine (ELEKTRA)



ELEKTRA



Suitable for:

# ELEKTRA



**1165071 1 CUP FILTER HOLDER ASSEMBLY ELEKTRA**  
spout connection  $\varnothing$  3/8" - handle connection M12  
wings 6 mm - with spring - without filter  
for Coffee machine (ELEKTRA) CLASSICBARLUME  
MODERN - SIXTIES



ELEKTRA 02273039

ELEKTRA 03436039+00526021

Suitable for:

**1165073 1 CUP FILTER HOLDER ASSEMBLY ELEKTRA**  
spout connection  $\varnothing$  3/8" - handle connection M12  
wings 6 mm - with spring - without filter  
for Coffee machine (ELEKTRA) CLASSICBARLUME  
KAPPA - MODERN



ELEKTRA 03434039

ELEKTRA 03434039+00526021

**1165072 2 CUPS FILTER HOLDER ASSEMBLY ELEKTRA**  
spout connection  $\varnothing$  3/8" - handle connection M12  
wings 6 mm - with spring - without filter  
for Coffee machine (ELEKTRA) CLASSICBARLUME  
MODERN - SIXTIES



ELEKTRA 02278039

ELEKTRA 03435039+00526021

**1165074 2 CUPS FILTER HOLDER ASSEMBLY ELEKTRA**  
spout connection  $\varnothing$  3/8" - handle connection M12  
wings 6 mm - with spring - without filter  
for Coffee machine (ELEKTRA) CLASSICBARLUME  
KAPPA - MODERN



ELEKTRA 03433039

ELEKTRA 03433039+00526021

## Filters

**1160017 STAINLESS STEEL WATER FILTER  $\varnothing$  8x1.5 mm**



ELEKTRA 01341035

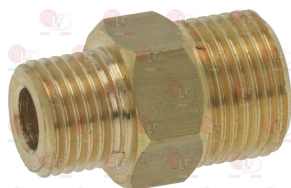
**1160021 WATER FILTER  $\varnothing$  18x20 mm**



ELEKTRA 00111035

## Fittings

**1349112 FITTING  $\varnothing$  1/4" M-3/8" M**

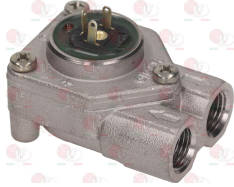


ELEKTRA 01506014



## Flowmeters

- 1455067 VOLUMETRIC FLOW METER GICAR**  
connections  $\varnothing$  1/4"FF - orifice 1.15 mm - NSF  
for Coffee machine (ELEKTRA) CLASSIC - KAPPA  
MODERN - SIXTIES



ELEKTRA 00253035

ELEKTRA 02429014

ELEKTRA 02429035

## Gaskets and seals

- 1186936 CONICAL PTFE SEAL  $\varnothing$  12x5x5 mm**  
for water/steam tap



ELEKTRA 01178035

- 1186388 CONICAL PTFE SEAL  $\varnothing$  19x11x3 mm**  
for water/steam pipe



ELEKTRA 01893035

ELEKTRA 02265035

- 1186942 FLAT CARBO GASKET  $\varnothing$  55x42x2 mm**  
universal carbo  
for heating element



ELEKTRA 00499035

- 1186935 FLAT EPDM GASKET  $\varnothing$  13x4x4 mm**



ELEKTRA 01245035

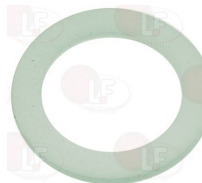
ELEKTRA 02862035

- 1186938 FLAT VITON GASKET  $\varnothing$  20.5x15x2 mm**



ELEKTRA 00409035

- 1186179 PTFE FLAT GASKET  $\varnothing$  57x43x3 mm**  
for heating element



ELEKTRA

- 1186769 ROUND COPPER GASKET  $\varnothing$  18.7x13x2.5 mm**



ELEKTRA 00102035

- 1186939 ROUND COPPER GASKET  $\varnothing$  21x17x2 mm**



ELEKTRA 01172035



Suitable for:



Suitable for:

## Heating elements

**5083384 HEATING ELEMENT 1000W 220V**  
immersed length 55 mm - 2 poles  
ø 50 mm - fittings M10



ELEKTRA 00709035

**1755638 HEATING ELEMENT 1200W 110V**  
immersed length 68 mm - 2 poles  
ø 55 mm - fittings ø 1/4"



ELEKTRA 01959035

**1755006 NUT ø 1/4"**



ELEKTRA 00032014

**1755340 HEATING ELEMENT 1200W 220V**  
immersed length 68 mm - 2 poles  
ø 55 mm - fittings ø 1/4"  
for Coffee machine (ELEKTRA) MINIVERTICALE



ELEKTRA 01958035

**1755006 NUT ø 1/4"**



ELEKTRA 00032014

**1186458 RED SILICONE RING 03050**  
ring thickness 2.62 mm - internal ø 12.37 mm



ELEKTRA 01960035

**1755261 HEATING ELEMENT 3500W 230/400V**  
immersed length 330 mm - 6 poles  
distance between the holes 75 mm  
with bulb sheath - flange 95x57 mm



ELEKTRA 02159035

**1186942 FLAT CARBO GASKET ø 55x42x2 mm**  
universal carbo  
for heating element

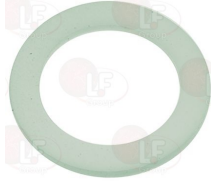


ELEKTRA 00499035



Suitable for:

**1186179 PTFE FLAT GASKET  $\varnothing$  57x43x3 mm**  
for heating element



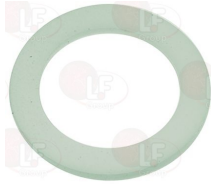
ELEKTRA

**1755260 HEATING ELEMENT 5500W 240/415V**  
immersed length 550 mm - 6 poles  
distance between the holes 75 mm  
with bulb sheath - flange 95x57 mm



ELEKTRA 01992035

**1186179 PTFE FLAT GASKET  $\varnothing$  57x43x3 mm**  
for heating element



ELEKTRA

**1755014 HEATING ELEMENT 800W 230V**  
immersed length 45 mm - 2 poles  
 $\varnothing$  50 mm - connections  $\varnothing$  1/4"



ELEKTRA 01192035

**3243086 O-RING 0117 EPDM**  
ring thickness 2.62 mm - internal  $\varnothing$  13.10 mm



ELEKTRA 00113035

# ELEKTRA

Suitable for:



**1186942 FLAT CARBO GASKET  $\varnothing$  55x42x2 mm**  
universal carbo  
for heating element



ELEKTRA 00499035

**1755006 NUT  $\varnothing$  1/4"**



ELEKTRA 00032014



Suitable for:

# ELEKTRA



Suitable for:

**1755015 HEATING ELEMENT 800W 230V**  
immersed length 90 mm - 2 poles  
with bulb sheath - flange  $\varnothing$  95 mm  
for Coffee machine (ELEKTRA) MICROCASA  
for Coffee machine (ELEKTRA) MICROCASA



ELEKTRA 02973011

**1186367 O-RING 0170 RED SILICONE**  
ring thickness 3.53 mm - internal  $\varnothing$  66.68 mm  
for heating element



ELEKTRA 01168035

## Indicator lights

**1221120 INDICATOR LIGHT GREEN 220V**  
 $\varnothing$  head 13 mm -  $\varnothing$  hole 10 mm - 120°C  
for Coffee machine (ELEKTRA) CLASSIC BARLUME  
MODERN - SIXTIES



ELEKTRA 01312035

**1221121 INDICATOR LIGHT RED 220V**  
 $\varnothing$  head 13 mm -  $\varnothing$  hole 10 mm - 120°C  
for Coffee machine (ELEKTRA) CLASSIC BARLUME  
MICROCASA - MINIVERTICALE - SIXTIES



ELEKTRA 00073035

## Ironmongery (screws,nuts,washers)

**1186380 BRASS WASHER  $\varnothing$  14.8x9.5x1 mm FLAT**  
for level glass



ELEKTRA 01380035

**1528023 COUNTERSUNK FLAT HEAD SCREWS M5x16**  
cross recessed - stainless steel  
UNI 7688 - DIN 965 - ISO 7046



ELEKTRA 01206035

**1455034 CYLINDER HEAD SCREW M4x10**  
stainless steel - with hexagon socket  
UNI 5931 - DIN 912 - ISO 4762



ELEKTRA

**1184012 CYLINDER HEAD SCREW M5x10**  
stainless steel - with hexagon socket  
UNI 9327 - DIN 7984



ELEKTRA 00122035

ELEKTRA 00360035

Suitable for:

**3528010 FLAT WASHER M6**  
 ø internal/external 6.4/12 mm - thickness 1.6 mm  
 st./steel - UNI 6592 - DIN 125 A - ISO 7089



ELEKTRA 01100035

Suitable for:

**1528511 HEXAGON HEAD SCREW M5x25**  
 stainless steel - UNI 5739 - DIN 933 - ISO 4017



ELEKTRA 00361035

**3528088 HEXAGON HEAD SCREW M8x20**  
 stainless steel - UNI 5739 - DIN 933 - ISO 4017



ELEKTRA 00126035

**1528041 LARGE PAN HEAD SCREW M4x8 POLISHED**  
 stainless steel - slotted  
 for Coffee machine (ELEKTRA) BELLEEPOQUE - CLASSIC  
 KAPPA - MODERN - SIXTIES



ELEKTRA 01952015

**1755006 NUT ø 1/4"**



ELEKTRA 00032014

**1348036 NUT ø 3/8" WRENCH 21x6mm**



ELEKTRA 01290014

**1528008 WASHER FLAT M8**  
 internal/external ø 8.4/16 mm - thickness 1.6 mm  
 in zinc plated iron alloy  
 UNI 6592 - DIN 125 A - ISO 7089



ELEKTRA 01392035

ELEKTRA 01816035

## Knobs

**1241132 BREWING GROUP HANDLE**  
 for Coffee machine (ELEKTRA) CLASSIC BARLUME  
 SIXTIES



ELEKTRA 01901035

**1241009 KNOB FOR STEAM TAP**  
 square pin hole 9x9 mm



ELEKTRA 00154035



Suitable for:

# ELEKTRA



**5048752 KNOB FOR STEAM TAP**  
hole for D-shaped pin  $\varnothing$  6x7 mm



ELEKTRA 00320035

Suitable for:

**1241130 SELECTOR SWITCH KNOB**  
for Coffee machine (ELEKTRA) CLASSIC BARLUME  
MODERN - SIXTIES



ELEKTRA 01965058

**1241131 SILKSCREEN PRINT. F/SELECTOR SWITCH KNOB**



ELEKTRA 01908030

**1241020 WATER/STEAM TAP KNOB**  
for Coffee machine (ELEKTRA) MODERN - SISTIES



ELEKTRA 01899035

**1241135 WATER/STEAM TAP KNOB**  
for Coffee machine (ELEKTRA) BELLE EPOQUE  
CLASSIC BARLUME



ELEKTRA 01898035

## Level balls

**1323005 ARTICULATION BALL  $\varnothing$  16 mm**  
thread M5



ELEKTRA 01458014

## Level gauges

**1520150 LEVEL GLASS  $\varnothing$  73x8 mm**



ELEKTRA 00544035

**1520005 LEVEL GLASS  $\varnothing$  9x147 mm**



ELEKTRA 00141035



## Level probes

- 1341010 LEVEL PROBE  $\varnothing$  3/8" M-131 mm**  
immersed length 102 mm  
for Coffee machine (ELEKTRA) CLASSIC - KAPPA



ELEKTRA 01110034

## Level regulators

- 7102844 WATER LEVEL REGULATOR NRL30/1E-2C/F 230**  
for Coffee machine (ELEKTRA) CLASSIC - MODERN  
SIXTIES



ELEKTRA 00189035

## Lip seals

- 1186379 LIP SEAL  $\varnothing$  41x28x6 mm**



ELEKTRA 00173035

- 1186386 LIP SEAL  $\varnothing$  41x28x6.5 mm**



ELEKTRA 00172035

## Microswitches, mechanical

- 1240039 MICROSWITCH 16A 250V**  
for Coffee machine (ELEKTRA) CLASSIC - KAPPA  
MODERN



ELEKTRA 01903035



Suitable for:

# ELEKTRA



Suitable for:

## Non-return and expansion valves

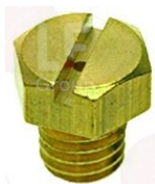
**5500498 EXPANSION VALVE  $\varnothing$  1/8" M-1/8" MC**  
calibration pressure 12 bar  
for Coffee machine (ELEKTRA) CLASSIC - KAPPA  
MODERN - SIXTIES



ELEKTRA 00422034

## Nozzles

**1500200 NOZZLE M5x1 HOLE  $\varnothing$  0,9 mm**  
for brew group  
for Coffee machine (ELEKTRA) BELLEEPOQUE - CLASSIC  
KAPPA - MICROCASA - MODERN - SIXTIES



ELEKTRA 01336014

## O-Ring and ORM gaskets

**3243086 O-RING 0117 EPDM**  
ring thickness 2.62 mm - internal  $\varnothing$  13.10 mm



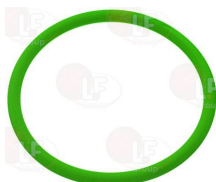
ELEKTRA 00113035

**1186714 O-RING 0119 VITON**  
ring thickness 2.62 mm - internal  $\varnothing$  15.08 mm



ELEKTRA 00144035

**1186931 O-RING 0152 GREEN VITON**  
ring thickness 3.53 mm - internal  $\varnothing$  47.63 mm



ELEKTRA 01204035

**1186367 O-RING 0170 RED SILICONE**  
ring thickness 3.53 mm - internal  $\varnothing$  66.68 mm  
for heating element



ELEKTRA 01168035

**1186421 O-RING 02018 EPDM**  
ring thickness 1.78 mm - internal  $\varnothing$  4.48 mm



ELEKTRA 00731035

**1186611 O-RING 02025 RED SILICONE**  
ring thickness 1.78 mm - internal  $\varnothing$  6.07 mm



ELEKTRA 00112035

Suitable for:

**1186612 O-RING 02025 VITON**  
ring thickness 1.78 mm - internal  $\varnothing$  6.07 mm



ELEKTRA

Suitable for:

**1186933 O-RING 02075 GREEN VITON**  
ring thickness 1.78 mm - internal  $\varnothing$  18.77 mm



ELEKTRA 00956035

**1186373 O-RING 02081 BLACK SILICONE**  
ring thickness 1.78 mm - internal  $\varnothing$  20.35 mm



ELEKTRA 01888035

**1186930 O-RING 03125 GREEN VITON**  
ring thickness 2.62 mm - internal  $\varnothing$  31.42 mm  
for Coffee machine (ELEKTRA) MICROCASA



ELEKTRA 00098035

ELEKTRA 01228035

**3160044 O-RING 03187 EPDM**  
ring thickness 2.62 mm - internal  $\varnothing$  47.30 mm



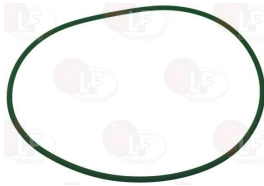
ELEKTRA 02263035

**1186405 O-RING 03281 RED SILICONE**  
ring thickness 2.62 mm - internal  $\varnothing$  71.12 mm



ELEKTRA 00711035

**1186941 O-RING 04525 EPDM**  
ring thickness 3.53 mm - internal  $\varnothing$  132.90 mm  
for flange



ELEKTRA 01994035

**1186932 O-RING 06237 EPDM**  
ring thickness 5.34 mm - internal  $\varnothing$  59.69 mm



ELEKTRA 00543035

**1186458 RED SILICONE RING 03050**  
ring thickness 2.62 mm - internal  $\varnothing$  12.37 mm



ELEKTRA 01960035



Suitable for:

# ELEKTRA



Suitable for:

## Pins

**1324063 TAP PIN INOX M8/M5**  
for Coffee machine (ELEKTRA) KAPPA - MODERN  
SIXTIES



ELEKTRA 01457015

**1348132 TIE ROD FOR WATER/STEAM TAP**  
for Coffee machine (ELEKTRA) CLASSIC - KAPPA  
MODERN - SIXTIES



ELEKTRA 00048014

## Pipes for coffee and vending machines

**5019647 PIPE FLEX  $\varnothing$  3/8" CFp x 1/8" Fc 280 mm**  
EPDM pipe - stainless steel coated  
external pipe  $\varnothing$  10 mm  
from lower exchanger to volumetric meter  
for Coffee machine (ELEKTRA) CLASSIC - KAPPA  
MODERN - SIXTIES



ELEKTRA 02358014

ELEKTRA 02627014

## Pressure gauges

**1245005 BOILER PRESSURE GAUGE  $\varnothing$  42 mm 0÷3 bar**  
single scale 0÷3 bar - connection  $\varnothing$  1/8" M  
for Coffee machine (ELEKTRA) MICROCASA



ELEKTRA 00398035

**1245008 BOILER PRESSURE GAUGE  $\varnothing$  42 mm 0÷3 bar**  
single scale 0÷3 bar - connection  $\varnothing$  1/8" M  
for Coffee machine (ELEKTRA) MICROCASA



ELEKTRA 00143035

**1245006 BOILER-PUMP PRESSURE GAUGE  $\varnothing$  60 mm**  
double scale 0÷2/0÷16 bar - connections  $\varnothing$  1/8" M  
rim  $\varnothing$  60 mm - body  $\varnothing$  60 mm  
for Coffee machine (ELEKTRA) BARLUME - CLASSIC  
SIXTIES



ELEKTRA 00985014

**1245007 BOILER-PUMP PRESSURE GAUGE  $\varnothing$  60 mm**  
double scale 0÷2/0÷16 bar - connections  $\varnothing$  1/8" M  
rim  $\varnothing$  60 mm - body  $\varnothing$  60 mm  
for Coffee machine (ELEKTRA) MODERN - SIXTIES



ELEKTRA 00985026

Suitable for:

**1245060 BOILER-PUMP PRESSURE GAUGE  $\varnothing$  60 mm**  
 double scale 0÷3/0÷15 bar - connections  $\varnothing$  1/8" M  
 rim  $\varnothing$  60 mm - body  $\varnothing$  60 mm



ELEKTRA

Suitable for:

**1245070 BOILER-PUMP PRESSURE GAUGE  $\varnothing$  60 mm**  
 double scale 0÷3/0÷15 bar - connections  $\varnothing$  1/8" M  
 rim  $\varnothing$  60 mm - body  $\varnothing$  60 mm



ELEKTRA

## Pressure switches

**1320531 PRESSURE SWITCH P302/6 3-POLES 30A**  
 CE-SEV-ASE-UL approved  
 ISO 228 G connection 1/4" M for pipe  $\varnothing$  4x6 mm  
 adjustable scale 0.5÷1.4 bar  
 fixed differential 0.15 ( $\pm$  0.06) bar  
 fluid temperature max : 140°C  
 max contact load : 220V 7KW (30A)  
 400V 12KW (30A)



ELEKTRA 00049035

**1320545 PRESSURE SWITCH XP110 125 0.5-1.2 BAR 1/**  
 connection  $\varnothing$  1/4" M - 15A 125/250V  
 precalibrated 1 bar  
 for Coffee machine (ELEKTRA) MICROCASA



ELEKTRA 01344035

## Rotary vane pumps

**1330016 ROTARY VANE PUMP PROCON  $\varnothing$  3/8" NPT**  
 clamp connection  
 flow rate 180 l/h  
 equipped with balanced bypass  
 with built-in filter  
 connection  $\varnothing$  3/8" conical NPT  
 NSF certified



ELEKTRA 00046035

**1168011 STAINLESS STEEL CLAMP FOR FLANGE PUMP**



ELEKTRA



Suitable for:

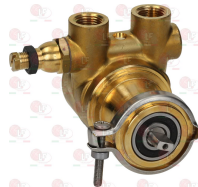
# ELEKTRA



Suitable for:

**1330101 ROTARY VANE PUMP ROTOFLOW ø 3/8" NPT**

flange connection  
flowrate 100 L/h  
with balanced by-pass  
fitting ø 3/8" conical NPT  
NSF approved  
model STANDARD  
length without pin 82.5 mm  
PUMP VERSION ECO-BRASS  
made of BRASS CW510L (OT57)  
low in lead <=0.25%



ELEKTRA

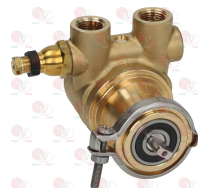
**1168011 STAINLESS STEEL CLAMP FOR FLANGE PUMP**



ELEKTRA

**1330102 ROTARY VANE PUMP ROTOFLOW ø 3/8" NPT**

flange connection  
flowrate 200 L/h  
with balanced by-pass  
fitting ø 3/8" conical NPT  
NSF approved  
model STANDARD  
length without pin 82.5 mm  
PUMP VERSION ECO-BRASS  
made of BRASS CW510L (OT57)  
low in lead <=0.25%



ELEKTRA

**1168011 STAINLESS STEEL CLAMP FOR FLANGE PUMP**



ELEKTRA

**1330040 VOLUMETRIC PUMP ODE ø 3/8" GAS/BSP**

TECNOPLIMER PPS body  
clamp connection  
flowrate 150 litri/h  
with balanced bypass  
fittings ø 3/8" GAS/BSP st.steel  
NSF approved - FOOD-SAFE



ELEKTRA

**1168011 STAINLESS STEEL CLAMP FOR FLANGE PUMP**



ELEKTRA

Suitable for:

Suitable for:

## 1330042 VOLUMETRIC PUMP ROTOFLOW $\varnothing$ 3/8" GAS

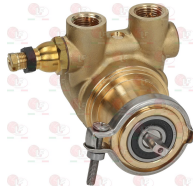
stainless steel body  
 clamp connection  
 flowrate 200 L/h  
 with balanced by-pass  
 fittings  $\varnothing$  3/8" GAS/BSP  
 N.S.F. approved  
 model STANDARD  
 length without pin 82.5 mm



ELEKTRA 00046035

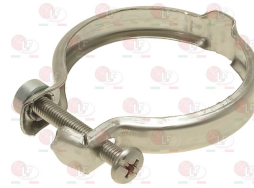
## 5109998 VOLUMETRIC PUMP ROTOFLOW $\varnothing$ 3/8" GAS

clamp fitting  
 capacity 200 L/h  
 with balanced by-pass  
 fitting  $\varnothing$  3/8" GAS/BSP  
 NSF certified  
 model STANDARD  
 length without pin 82.5 mm  
 VERSION OF THE PUMP ECO-BRASS  
 made of brass CW510L (OT57)  
 low in lead  $\leq 0.25\%$



ELEKTRA

## 1168011 STAINLESS STEEL CLAMP FOR FLANGE PUMP



ELEKTRA

## Rubberpieces for steam-water taps

## 1449172 BURN PREVENTING HANDGRIP FOR PIPE $\varnothing$ 8 m



ELEKTRA 01964035

## Seals for level glasses

## 1186375 FLAT SILICONE GASKET $\varnothing$ 15x9x8 mm for level glass



ELEKTRA 00119035



Suitable for:

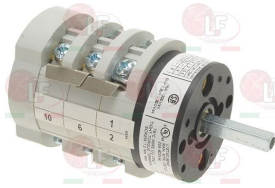
# ELEKTRA



Suitable for:

## Selector switches

**1057038** SELECTOR SWITCH 0-2 POSITIONS 25A 690V  
pin square 5x5 mm



ELEKTRA 02020035

## Shower screens for brew group

**1460200** PRECISION SHOWER SCREEN  $\varnothing$  51.5 mm  
middle hole 5 mm - 98 holes  $\varnothing$  3 mm  
Aisi 301 steel - food-safe certified  
integrated membrane 200  $\mu$ m  
suitable for machines ASTORA-BEZZERA-BFC  
BRASILIA-CARIMALI-CASADIO-CIMBALI-ECM-ELEKTRA  
FAEMA-FIORENZATO CS-FRACINO-gIMAC-RENEKA  
ROYAL-SAB ITALIA-SANREMO-SCALA  
VICTORIA ARDUINO-WEGA  
for Coffee machine (ELEKTRA)



ELEKTRA

**1460205** PRECISION SHOWER SCREEN  $\varnothing$  51.5 mm  
middle hole 5 mm - 119 holes  $\varnothing$  2 mm  
steel Aisi 304 - food-safe certified  
wire membrane 35  $\mu$ m  
suitable for machines ASTORIA/CMA-BEZZERA-BFC  
BRASILIA-CARIMALI-CASADIO-CIMBALI-ECM-ELEKTRA  
FAEMA-FIORENZATO CS-FRACINO-GRIMAC-RENEKA  
ROYAL-SAB ITALIA-SANREMO-SCALA  
VICTORIA ARDUINO-WEGA  
for Coffee machine (ELEKTRA)



ELEKTRA

**1081600** PRECISION SHOWER SCREEN NANOTEC  $\varnothing$  51.5 mm  
non-stick NANOQUARTZ coating  
increases the resistance to corrosion  
and to chemical reaction  
middle hole 5 mm - 98 holes  $\varnothing$  3 mm  
Aisi 301 steel - food-safe certified  
integrated membrane 200  $\mu$ m  
suitable for machines ASTORIA/CMA-BEZZERA-BFC  
BRASILIA-CARIMALI-CASADIO-CIMBALI-ELEKTRA-FAEMA  
FIORENZATO CS-FRACINO-gIMAC-RENEKA-ROYAL  
SAB ITALIA-SANREMO-SCALA-VICTORIA ARDUINO-WEGA



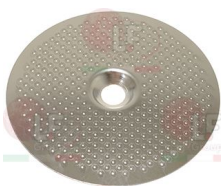
ELEKTRA

**1081013** SHOWER  $\varnothing$  52 mm  
for Coffee machine (ELEKTRA) MICROCASA



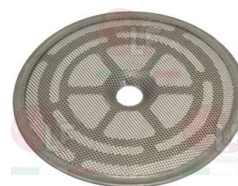
ELEKTRA 00175035

**1081002** SHOWER SCREEN  $\varnothing$  51.5 mm  
for Coffee machine (ELEKTRA) MINIVERTICALE



ELEKTRA 02654035

**1081006** SHOWER SCREEN  $\varnothing$  51.5 mm  
for Coffee machine (ELEKTRA) CLASSIC - KAPPA  
MICROCASA - MODERN - SIXTIES



ELEKTRA 01208035



Suitable for:

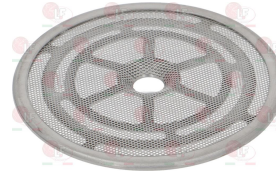
**1081007 SHOWER SCREEN  $\varnothing$  51.5 mm**  
for Coffee machine (ELEKTRA) CLASSIC - KAPPA  
MICROCASA - MODERN - SIXTIES



ELEKTRA 01208035

Suitable for:

**5106834 SHOWER SCREEN  $\varnothing$  52 mm**  
made in China



ELEKTRA 01208035

## Showerholder diffusers

**5048739 DIFFUSER SHOWER HOLDER**  
external  $\varnothing$  58 mm - height 7 mm - hole  $\varnothing$  5 mm  
for Coffee machine (ELEKTRA) MINIVERTICALE



ELEKTRA 02653035

**1086002 SHOWER HOLDER DIFFUSER**  
external  $\varnothing$  57 mm - height 8.5 mm - hole  $\varnothing$  5 mm  
for Coffee machine (ELEKTRA) CLASSIC - KAPPA  
MICROCASA - MODERN - SIXTIES



ELEKTRA 01252014

## Solenoid valves

**1120361 COIL PARKER YB09 220/230V 9W 50/60Hz**  
width 34 mm - height 32 mm  
length 42 mm



ELEKTRA

**3120032 COIL PARKER ZB09 9W 220/240V 50/60Hz**  
width 34 mm - height 33 mm  
length 43 mm



ELEKTRA 01004035

**1120380 SOLENOID VALVE PARKER 3WAYS 230V 50/60Hz**  
VE128GR - outlet  $\varnothing$  1/8" cylindric - max 20 bar  
RUBY seal - orifice  $\varnothing$  1.3 mm  
with coil YB09 9W 220/230V 50/60Hz  
fluid temperature -30°C+140°C



ELEKTRA

**1120460 2-WAY SOLENOID VALVE LUCIFER 240V 50Hz**  
7121ZBG1LV00 - fittings  $\varnothing$  1/8" FF - max 10 bar  
VITON seal - orifice 2.5 mm  
with coil 483510 9W 220/240V 50/60Hz  
fluid temperature -40°C+140°C



ELEKTRA 1120339



Suitable for:

# ELEKTRA



Suitable for:

**1120339 3-WAY MECHANICAL COMPONENT PARKER**  
VE128IR - drain  $\varnothing$  1/8" conical - max 10 bar  
RUBY seal - orifice  $\varnothing$  1.3 mm  
fluid temperature -30°C+140°C



ELEKTRA

## Springs

**1250051 CLUTCH SPRING**  
for Coffee machine (ELEKTRA) CLASSIC BARLUME  
SIXTIES



ELEKTRA 01902035

ELEKTRA 01902092

**1250050 FILTER LOCKING SPRING  $\varnothing$  20x19 mm**  
for Coffee machine (ELEKTRA) BELLEEPOQUE  
CLASSIC BARLUME - KAPPA - MODERN - SIXTIES



ELEKTRA 01242035

**1250017 LEVER GROUP SPRING**  
external  $\varnothing$  37 mm - height 94 mm  
for Coffee machine (ELEKTRA) MICROCASA



ELEKTRA 00819014

**1250052 SPRING  $\varnothing$  12.2x35 mm**  
for water/steam tap  
for Coffee machine (ELEKTRA) BELLEEPOQUE  
CLASSIC BARLUME - KAPPA - MODERN - SIXTIES



ELEKTRA 01189035

**1250019 SPRING  $\varnothing$  12x16.5 mm**  
for Coffee machine (ELEKTRA) BELLEEPOQUE  
CLASSIC BARLUME - KAPPA - MODERN - SIXTIES



ELEKTRA 01912035



## Steam taps and spares for coffee mach.

**1349026 CHROME PLATED LEVER RING NUT**  
for Coffee machine (ELEKTRA) KAPPA - MODERN  
SIXTIES



ELEKTRA 00947019  
ELEKTRA 03207021

ELEKTRA 00947021

ELEKTRA 03207015

**1348130 CHROME STEAM TAP ASSEMBLY**  
for Coffee machine (ELEKTRA) CLASSIC



ELEKTRA 01990039

**1349023 COUNTER NUT CHROME PLATED**  
for Coffee machine (ELEKTRA) SIXTIES



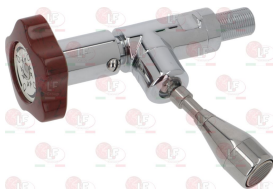
ELEKTRA 00950021

**1186934 GASKET HOLDER FOR TAP**  
for Coffee machine (ELEKTRA) BELLEEPOQUE - CLASSIC  
KAPPA - MODERN - SIXTIES



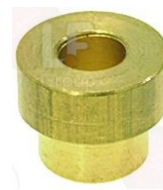
ELEKTRA 00042014

**1348131 PLATED WATER TAP ASSEMBLY**



ELEKTRA 01991039

**1250054 SPRING GUIDE**  
for Coffee machine (ELEKTRA) BELLEEPOQUE - CLASSIC  
KAPPA - MODERN - SIXTIES



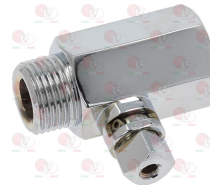
ELEKTRA 00045014

**1186670 STEAM PIPE ARTICULATION BUSHING  $\varnothing$  12x5mm**  
external  $\varnothing$  12/9 mm - internal  $\varnothing$  7 mm  
thickness 5/1.8 mm  
for Coffee machine (ELEKTRA) BELLEEPOQUE - CLASSIC  
KAPPA - MODERN - SIXTIES



ELEKTRA 01913014

**1348031 STEAM TAP CASING CHROME PLATED**  
for Coffee machine (ELEKTRA) MICROCASA



ELEKTRA 00150021

**1250053 TIE ROD HEAD**  
for Coffee machine (ELEKTRA) BELLEEPOQUE - CLASSIC  
KAPPA - MODERN - SIXTIES



ELEKTRA 00047014

**1548080 WATER-STEAM TAP**



ELEKTRA



Suitable for:

# ELEKTRA



Suitable for:

**1548081 WATER-STEAM TAP CHROMIUM PLATED**



ELEKTRA

## Steam-water pipes coffee machines

**1449030 CHROME PLATED STEAM PIPE COMPLETE**  
for Coffee machine (ELEKTRA) MICROCASA



ELEKTRA 00151039

**1449221 COMPLETE WATER PIPE**  
for Coffee machine (ELEKTRA) CLASSICBARLUME SIXTIES



ELEKTRA 02206039

**5023967 STEAM NOZZLE 3 HOLES M6**



ELEKTRA 01400021

**1449220 STEAM PIPE COMPLETE**  
for Coffee machine (ELEKTRA) CLASSIC - SIXTIES



ELEKTRA 02202039

**1449317 WATER PIPE NOZZLE**  
ø 20.5/18.5 mm - height 11.5 mm



ELEKTRA 00424014

## Switches

**1319767 BIPOLAR SWITCH BLACK 16A 250V**



ELEKTRA 00746034

**3319920 BIPOLAR SWITCH BLACK 16A 250V**  
for Coffee machine (ELEKTRA) MINIVERTICALE



ELEKTRA 01221035

**1319005 BIPOLAR SWITCH 16A 250V**



ELEKTRA 02563035

**3319294 BLACK BIPOLAR SWITCH 16A 250V**  
 16(4)A 250V - with red led indicator light  
 mounting hole 22x30 mm  
 for Coffee machine (ELEKTRA) MICROKASA



ELEKTRA 01603035

**3319501 PUSH-BUTTON PROTECTION CAP**  
 external dimensions 29x36 mm  
 for switches with mounting hole 22x30 mm



ELEKTRA 02198035

**1054030 CONTROL-BOX P.BUT.PANEL 7 BUTTONS 230V**  
 for Coffee machine (ELEKTRA) CLASSIC - SIXTIES



ELEKTRA 01955034

**1054031 PROGRAMMING SWITCH**  
 for Coffee machine (ELEKTRA) CLASSIC - SIXTIES



ELEKTRA 00388035

ELEKTRA 03196035

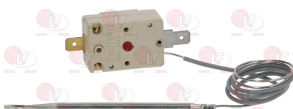
**3319501 PUSH-BUTTON PROTECTION CAP**  
 external dimensions 29x36 mm  
 for switches with mounting hole 22x30 mm



ELEKTRA 02198035

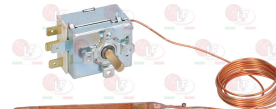
## Thermostats

**1444002 SINGLE-PHASE THERMOSTAT 177°C**  
 covered capillary 580 mm  
 bulb  $\varnothing$  4x91 mm  
 for Coffee machine (ELEKTRA) MICROKASA - SIXTIES



ELEKTRA 02789035

**3444005 THERMOSTAT SINGLE-PHASE TR2 0-120°C**  
 D-shaped pin  $\varnothing$  6x4.6 mm  
 capillary length 1500 mm - 15A 250V  
 bulb  $\varnothing$  6.5x95 mm  
 for Coffee machine (ELEKTRA) MINIVERTICALE



ELEKTRA 00659035



Suitable for:

# ELEKTRA



Suitable for:

**1444509 THREE-PHASE THERMOSTAT 169°C**  
 with manual reset  
 covered capillary 900 mm  
 bulb  $\varnothing$  4x128 mm  
 for Coffee machine (ELEKTRA) CLASSIC - MODERN  
 SIXTIES



ELEKTRA 02790035

## Tools

**1505002 EXTRACTOR FOR FILTER S.STEEL WITH HOLE**



ELEKTRA

**3394906 INSPECTION MIRROR KIT  $\varnothing$  30x165 mm**  
 telescopic - overall length 485 mm



ELEKTRA

## Vibratory pumps

**1349651 PIPETTE FITTING 90° EX EP**  
 SANTOPRENE  
 internal pump connection  $\varnothing$  6 mm  
 hose-end fitting  $\varnothing$  7.5 mm



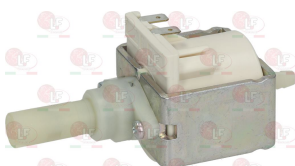
ELEKTRA 02582035

**1331023 SQUARE VIBRATION DAMPER EX-EP-EK-EA**



ELEKTRA 00376035

**5070013 VIBRATION PUMP EP4GW 48W 230V 50Hz**  
 fittings  $\varnothing$  1/8" -  $\varnothing$  6 mm  
 pressure max 15 bar  
 water temperature max 20°C  
 integrated diode (1N 4007P)  
 lead connector 6.3x0.8 mm  
 NSF certified



ELEKTRA 05556035

**1122601 VIBRATORY PUMP EX5 41W 120V 60Hz**  
 fittings  $\varnothing$  1/8" -  $\varnothing$  6 mm  
 pressure max 15 bar  
 water temperature max 20°C  
 integrated diode (1N 4007P)  
 lead connector 6.3x0.8 mm  
 NSF certified  
 for Coffee machine (ELEKTRA) MINIVERTICALE

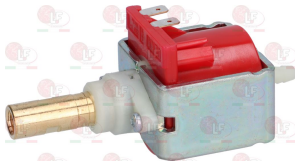


ELEKTRA 00255035

Suitable for:

Suitable for:

- 1122735 VIBRATORY PUMP EX5 48W 230V 50Hz**  
 fittings  $\varnothing$  1/8" -  $\varnothing$  6 mm  
 pressure max 15 bar  
 water temperature max 20°C  
 integrated diode (1N 4007P)  
 lead connector 6.3x0.8 mm  
 for Coffee machine (ELEKTRA) MINIVERTICALE



ELEKTRA 00254035

## Water softeners and spare parts

- 3010291 MANUAL WATER SOFTENER 5 L  $\varnothing$  3/8"**  
 for water treatment for TECHNICAL use  
 st/steel bottle capacity 5 L  
 fastening fitting 3/8"  
 dimensions: h 300 mm -  $\varnothing$  190 mm  
 resin content 3.5 L  
 regeneration salt(NaCl-table salt)1 Kg



ELEKTRA

- 3010001 MANUAL WATER SOFTENER 8 L  $\varnothing$  3/8"**  
 for water treatment for TECHNICAL purposes  
 STAINLESS STEEL cylinder capacity 8 L  
 connection 3/8"  
 dimensions: height 400 mm -  $\varnothing$  185 mm  
 resin content 5.8 L  
 regeneration salt(NaCl-table salt)1 Kg



ELEKTRA

- 3010161 MANUAL WATER SOFTENER 8 L  $\varnothing$  3/8"**  
 for water treatment for TECHNICAL purposes  
 plasma welding  
 STAINLESS STEEL cylinder capacity 8 L  
 connection 3/8"  
 dimensions: height 400 mm -  $\varnothing$  185 mm  
 resin content 5.8 L  
 regeneration salt(NaCl-table salt)1 Kg  
 inlet water maximum temperature 60°C



ELEKTRA

- 3010112 RESIN 5 L**  
 5 litre bag



ELEKTRA

- 3010299 SALT FOR WATER SOFTNER IN TABLETS 10 Kg**  
 FOR WATER SOFTENING SYSTEMS



ELEKTRA

- 3010300 SALT FOR WATER SOFTNER IN TABLETS 25 Kg**  
 FOR WATER SOFTENING SYSTEMS



ELEKTRA

The data herewith contained may change without notice and LF SpA cannot be held responsible for possible errors stated or resulting by the use of this document. All rights reserved. No part of this publication may be reproduced without written permission by LF SpA.



## Distributing Components, Spare Parts & Accessories in original quality worldwide

- 
- LF SpA HEADQUARTERS**  
via Voltri, 80 - 47522 Cesena (FC) ITALY  
Tel. +39 0547 34 11 11 - Fax +39 0547 34 11 10  
[www.lfricambi724.it](http://www.lfricambi724.it) - [info@lfricambi.it](mailto:info@lfricambi.it)  
Export Dept. Tel. +39 0547 34 11 50 - Fax +39 0547 34 11 55  
[www.lfspareparts724.com](http://www.lfspareparts724.com) - [export@lfspareparts.com](mailto:export@lfspareparts.com)
- LF SpA HOUSEHOLD COMPONENTS DIVISION**  
Via Padriciano, 99 - AREA Science Park - 34149 Trieste (TS) ITALY  
Tel. +39 0547 34 12 42 - Fax +39 0547 34 12 48  
[www.lfspareparts724.com](http://www.lfspareparts724.com) - [info@lfspareparts.com](mailto:info@lfspareparts.com)
- EPGC Sas FRANCE**  
13, Rue des Forts - 59960 Neuville en Ferrain  
Tel. +33 (0)3 20 25 06 21 - Fax +33 (0)3 20 25 34 12  
[www.epgc.com](http://www.epgc.com) - [epgc@epgc.com](mailto:epgc@epgc.com)
- LF GmbH GERMANY**  
Junkersstrasse, 3 - D-82178 Puchheim - München  
Tel. +49 89 89 45 78 66 - Fax +49 89 89 45 78 88  
[www.lfersatzteile724.de](http://www.lfersatzteile724.de) - [info@lfersatzteile.de](mailto:info@lfersatzteile.de)
- LF China REPUBLIC OF CHINA**  
Room 403, No.2, Huadu Mansion, Lane 422, Huanghua Rd.  
Minhang Dist. - 201103 Shanghai  
Tel. +86 (0)21 33 53 66 31 - Fax +86 (0)21 33 53 66 32  
[www.lfspareparts724.com](http://www.lfspareparts724.com) - [china@lfspareparts.com](mailto:china@lfspareparts.com)
- OOO LF RUSSIAN FEDERATION**  
Ul. Anatoliya Zhivova, 8 - office 1 - 123100 Moscow  
Tel./Fax +7 495 725 26 53  
[www.lfspareparts724.ru](http://www.lfspareparts724.ru) - [info@lfspareparts.ru](mailto:info@lfspareparts.ru)
- LF Repuestos Horeca S.L.U. SPAIN**  
Poligono Industrial Carpetania - C/Miguel Faraday, 8 - 28906 Getafe  
Tel. +34 91 477 91 00 - Fax +34 91 477 90 81  
[www.lfrepuestos-horeca724.es](http://www.lfrepuestos-horeca724.es) - [info@lfrepuestos.es](mailto:info@lfrepuestos.es)
- LF Scandinavia Aps - LF Spareparts S.p.A. DENMARK**  
Nupark, 51 - 7500 Holstebro  
Tel. +45 70 70 77 33  
[www.lfspareparts724.dk](http://www.lfspareparts724.dk) - [denmark@lfspareparts.dk](mailto:denmark@lfspareparts.dk)
- LF SpA Cesena (IT) Swiss Branch Steinhausen SWITZERLAND**  
Sennweidstrasse, 45 - CH-6312 Steinhausen  
Tel. +41 (0)41 760 15 80/1 - Fax +41 (0)41 760 15 85  
[www.lfersatzteile724.ch](http://www.lfersatzteile724.ch) - [info@lfersatzteile.ch](mailto:info@lfersatzteile.ch)
- LF Spare Parts Ltd. UNITED KINGDOM**  
A10a Lakeside Business Park, Broadway Lane  
South Cerney, Gloucestershire GL7 5XL  
Tel. +44 (0)1285 86 16 25 - Fax +44 (0)1285 86 39 49  
[www.lfspareparts724.co.uk](http://www.lfspareparts724.co.uk) - [info@lfspareparts.co.uk](mailto:info@lfspareparts.co.uk)
- LF Central Est Europe S.r.o. CZECH REPUBLIC**  
Antala Staska 1859/34  
14000 Praha 4 - KRC  
Tel. +420 730 156 910  
[www.lfspareparts724.cz](http://www.lfspareparts724.cz) - [info@lfspareparts.cz](mailto:info@lfspareparts.cz)
- LF SPARE PARTS INC. USA**  
Legal address:  
155 Office Plaza Dr - Suite A - Tallahassee, FL 32301  
Business/Mailing address:  
1100 South Tower, 225 Peachtree St., N.E. - Atlanta, GA 30303, USA  
Tel. +1-404-525-2600 - Fax +1-404-586-3528  
[www.lfspareparts724.us](http://www.lfspareparts724.us) - [info@lfspareparts.us](mailto:info@lfspareparts.us)  
Tel. West Coast and Midwest: 206-349-1525 Sauro  
Tel. East Coast and the Caribbean: 786-817-1764 Luis
- 
- AUSTRALIA AND NEW ZEALAND**  
[www.lfspareparts724.com](http://www.lfspareparts724.com)  
[andrea.calvio@lfspareparts.com](mailto:andrea.calvio@lfspareparts.com)
- AUSTRIA**  
[www.lfersatzteile724.at](http://www.lfersatzteile724.at)  
[info@lfersatzteile.at](mailto:info@lfersatzteile.at)
- BALKAN COUNTRIES**  
[www.lfspareparts724.com](http://www.lfspareparts724.com)  
[matija.ramov@lfspareparts.com](mailto:matija.ramov@lfspareparts.com)
- BALTIC COUNTRIES**  
[www.lfspareparts724.com](http://www.lfspareparts724.com)  
[inara.silina@lfspareparts.com](mailto:inara.silina@lfspareparts.com)
- LATIN AMERICA AND THE CARRIBEANS**  
[www.lfrepuestos-horeca724.es](http://www.lfrepuestos-horeca724.es)  
[export@lfrepuestos.es](mailto:export@lfrepuestos.es)
- POLAND**  
[www.lfspareparts724.pl](http://www.lfspareparts724.pl)  
[info@lfspareparts.pl](mailto:info@lfspareparts.pl)
- SOUTH KOREA**  
[www.lfspareparts724.com](http://www.lfspareparts724.com)  
[fabio.doni@lfspareparts.com](mailto:fabio.doni@lfspareparts.com)
- TURKEY**  
[www.lfyedekparca724.com](http://www.lfyedekparca724.com)  
[export@lfspareparts.com](mailto:export@lfspareparts.com)